

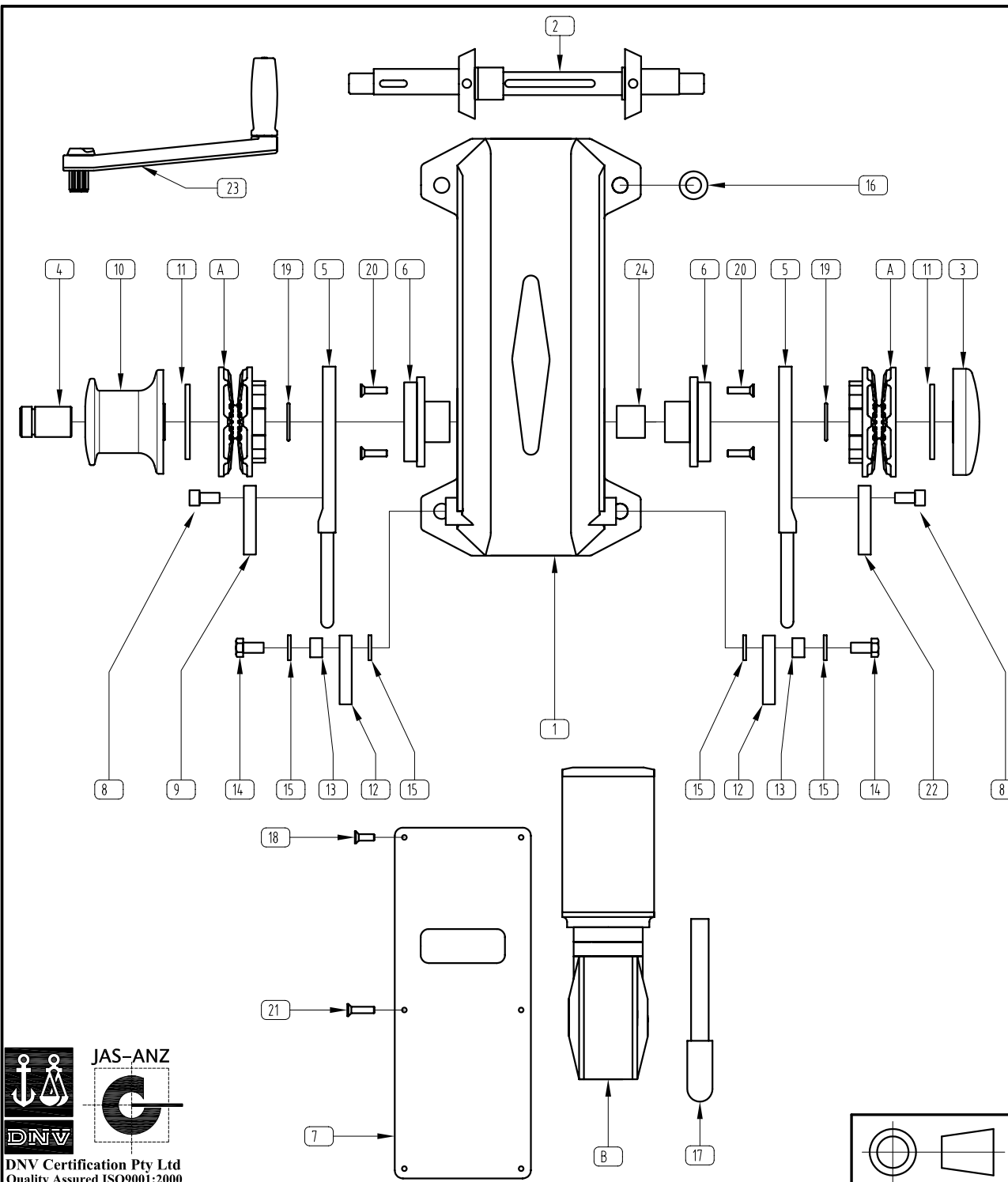
ITEM	PART NUMBER	DESCRIPTION	QTY
1	P22-HSGHR3500A2G	HOUSING ALLOY HR3500 JAGUAR TWIN GYPSY	1
2	K06-SFTHR3500A	SHAFT ASSEMBLY HR3500 JAGUAR SG/SC	1
3	P07-CLNBRZHR01200C	CLUTCH NUT BRONZE HR1200 COUGAR 3 PRONG	1
4	P08-CNEBRZHR01200CD	D' CONE BRONZE HR1200C COUGAR	1
5	P11-HANAB2LEV01200C	HANDLE LEVER AB2 HR1200C COUGAR	1
6	P02-NOVHR01200CLH	BEARING LEVER HANDLE NOV HR1200C COUGAR	1
7	P22-BPLALLHR03500	BASE PLATE ALLOY HR3500 JAGUAR	1
8	P02-NOVHR01200CCSL	BEARING CAPSTAN NOV HR1200C L/HAND	1
9	P02-GSH035.0025.061	BEARING GUARDSHAFT HR3500C CAPSTAN	1
10	P02-BRS051.0025.019	SPACER BRASS HR3500C CAPSTAN	1
11	P04-CAPBRZ00850S	CAPSTAN BRONZE VC650S / VC850S / JAGUAR	1
12	S33-30409.52032	SCREW CSK SL MT 304 0-3/8 X 1-1/4 INCH	1
13	S45-30407.94013	SCREW SHCS SS304 5/16 X 0-1/2 INCH	1
14	P13-BRZLEVHR1200CL	PAWL LEVER HANDLE HR1200C COUGAR LH	1
15	S36-30409.52013	SCREW HEX HD SS304 3/8 X 0-1/2 INCH	1
16	S75-30409.52025	WASHER FLAT SS304 3/8 " X 1" LGE/OD	1
17	P13-BRZCWGHR3500C	PAWL COUNTERWEIGHT HR3500C JAGUAR	1
18	P02-303015.8012.717	BUSH SS303 HR3500C COUNTERWEIGHT PAWL	1
19	S36-30412.70UNC051	SCREW HEX HD SS304 1/2 UNC X 2 INCH	1
20	S75-30412.70025	WASHER FLAT SS304 1/2 INCH X 1 INCH	2
21	P02-NYL025.0010.517	BUSH NYLON HR1200C COUGAR FOOT	4
22	P11-HAN304EXHR1200C	HANDLE EXTENSION 304 HR1200C COUGAR	1
23	S33-30404.76013	SCREW CSK SL MT 304 0-3/16 X 0-1/2 INCH	4
24	R41-ORG04203503.5	O' RING SEAL 42X35X3.5 (BS220)	2
25	S33-30406.35025	SCREW CSK SL MT 304 0-1/4 X 1 INCH	2
26	S33-30404.76025	SCREW CSK SL MT 304 0-3/16 X 1 INCH	2

A: GYPSY
 B: MOTOR / GEARBOX ASSEMBLY



TOLERANCES (mm)		TITLE	
X.	±	HR3500 COMPACT / SINGLE GYPSY/CAPSTAN	
X.X	±	EXPLODED VIEW / CAPSTAN TO STARBOARD	
X.XX	±	PART No. K08-COMHR3500L (JAGUAR)	
UNLESS OTHERWISE SPECIFIED		DRN	DATE
MATERIAL		AC	09/10/02
FINISH		DRG No.	K08-COMHR3500L
		SCALE	APP1
		NTS	APP2
		SIZE	A4
© COPYRIGHT MUIR ENGINEERING PTY. LTD.			





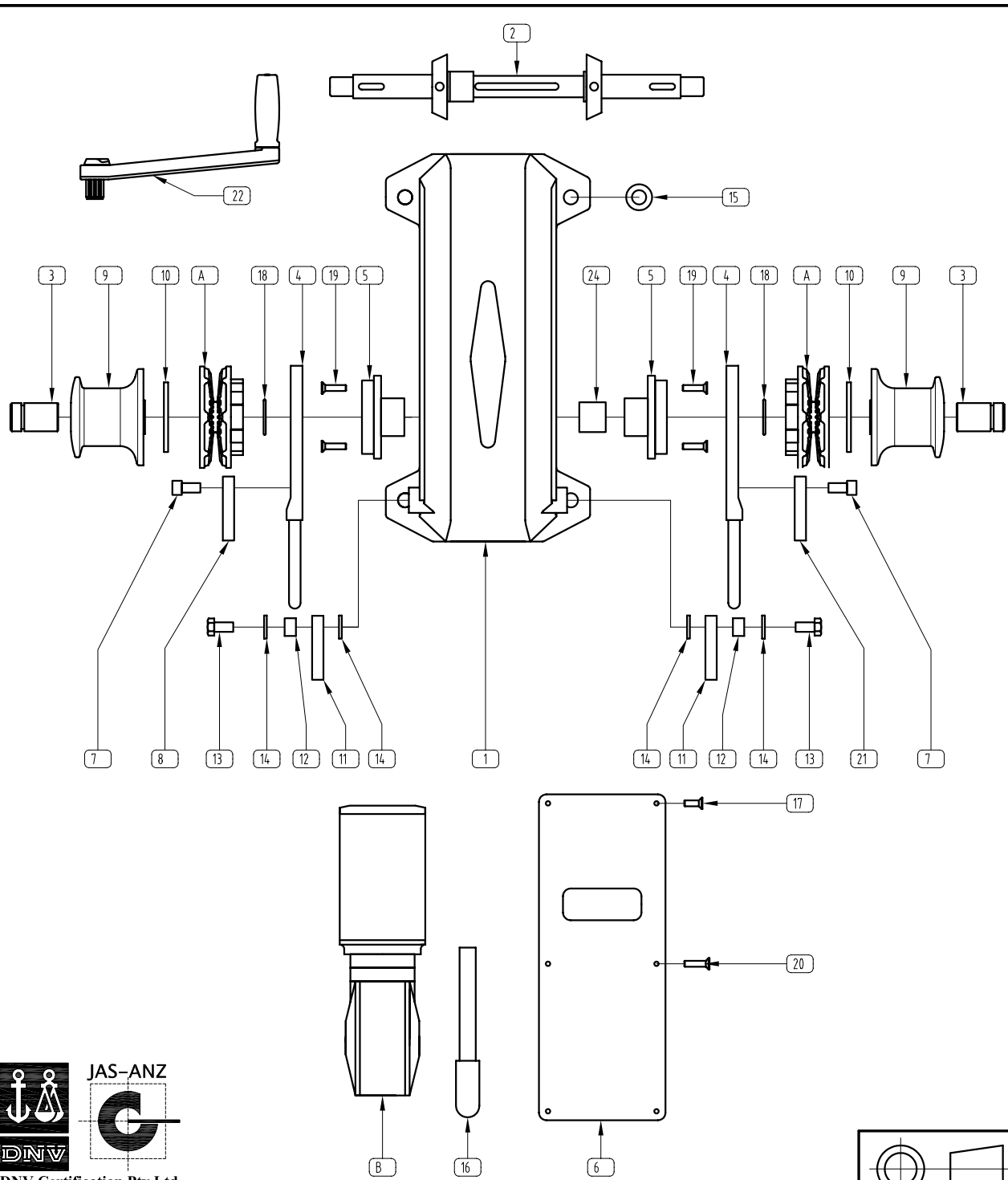
ITEM	PART NUMBER	DESCRIPTION	QTY
1	P22-HSGHR3500A2G	HOUSING ALLOY HR3500 JAGUAR TWIN GYPSY	1
2	K06-SFTHR3500C	SHAFT ASSEMBLY HR3500 JAGUAR 2G/SC PORT	1
3	P07-CLNBRZVR00850A	CLUTCH NUT BRONZE VR850A	1
4	P07-CLNBRZVRC00850A	CLUTCH NUT BRONZE VRC850A	1
5	P11-HANAB2LEV01200C	HANDLE LEVER AB2 HR1200C COUGAR	2
6	P02-NOVHR01200CLH	BEARING LEVER HANDLE NOV HR1200C COUGAR	2
7	P22-BPLALLHR03500	BASE PLATE ALLOY HR3500 JAGUAR	1
8	S45-30407.94013	SCREW SHCS SS304 5/16 X 0-1/2 INCH	2
9	P13-BRZLEVHR1200C	PAWL LEVER HANDLE HR1200C COUGAR	1
10	P04-CAPBRZ00850A	CAPSTAN BRONZE VRC850A	1
11	P23-316050.8022.305	'D' WASHER SS 316 2" x 7/8" x 5MM	2
12	P13-BRZCWGHR3500C	PAWL COUNTERWEIGHT HR3500C JAGUAR	2
13	P02-303015.8012.717	BUSH SS303 HR3500C COUNTERWEIGHT PAWL	2
14	S36-30412.70UNC051	SCREW HEX HD SS304 1/2 UNC X 2 INCH	2
15	S75-30412.70025	WASHER FLAT SS304 1/2 INCH X 1 INCH	4
16	P02-NYL025.0010.517	BUSH NYLON HR1200C COUGAR FOOT	4
17	P11-HAN304EXHR1200C	HANDLE EXTENSION 304 HR1200C COUGAR	1
18	S33-30404.76013	SCREW CSK SL MT 304 0-3/16 X 0-1/2 INCH	4
19	R41-ORG04203503.5	'O' RING SEAL 42X35X3.5 (BS220)	2
20	S33-30406.35025	SCREW CSK SL MT 304 0-1/4 X 1 INCH	4
21	S33-30404.76025	SCREW CSK SL MT 304 0-3/16 X 1 INCH	2
22	P13-BRZLEVHR1200CM	PAWL LEVER HANDLE HR1200C COUGAR L/HAND	1
23	F90-HANHDPE200	HANDLE HDPE 8" (200mm)	1
24	P02-GSH035.0025.061	BEARING GUARDSHAFT HR3500C CAPSTAN	1

A: GYPSY
 B: MOTOR / GEARBOX ASSEMBLY



TOLERANCES (mm)		TITLE	
X.	±	HR3500 COMPACT / TWIN GYP / SINGLE CAP	
X.X	±	EXPLODED VIEW / CAPSTAN TO STARBOARD	
X.XX	±	PART No. K08-COMHR3500J (JAGUAR)	
UNLESS OTHERWISE SPECIFIED		DRN	DATE
MATERIAL		AC	05/04/04
FINISH		DRG No.	K08-COMHR3500J
		SCALE	SIZE
		NTS	A4
© COPYRIGHT MUIR ENGINEERING PTY. LTD.			





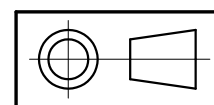
ITEM	PART NUMBER	DESCRIPTION	QTY
1	P22-HSGHR3500A2G	HOUSING ALLOY HR3500 JAGUAR TWIN GYPSY	1
2	K06-SFTHR3500D	SHAFT ASSEMBLY HR3500 JAGUAR 2G/2C	1
3	P07-CLNBRZVRC00850A	CLUTCH NUT BRONZE VRC850A	2
4	P11-HANAB2LEV01200C	HANDLE LEVER AB2 HR1200C COUGAR	2
5	P02-NOVHR01200CLH	BEARING LEVER HANDLE NOV HR1200C COUGAR	2
6	P22-BPLALLHR03500	BASE PLATE ALLOY HR3500 JAGUAR	1
7	S45-30407.94013	SCREW SHCS SS304 5/16 X 0-1/2 INCH	2
8	P13-BRZLEVHR1200C	PAWL LEVER HANDLE HR1200C COUGAR	1
9	P04-CAPBRZ00850A	CAPSTAN BRONZE VRC850A	2
10	P23-316050.8022.305	'D' WASHER SS 316 2" x 7/8" x 5MM	2
11	P13-BRZCWGHR3500C	PAWL COUNTERWEIGHT HR3500C JAGUAR	2
12	P02-303015.8012.717	BUSH SS303 HR3500C COUNTERWEIGHT PAWL	2
13	S36-30412.70UNC051	SCREW HEX HD SS304 1/2 UNC X 2 INCH	2
14	S75-30412.70025	WASHER FLAT SS304 1/2 INCH X 1 INCH	4
15	P02-NYL025.0010.517	BUSH NYLON HR1200C COUGAR FOOT	4
16	P11-HAN304EXHR1200C	HANDLE EXTENSION 304 HR1200C COUGAR	1
17	S33-30404.76013	SCREW CSK SL MT 304 0-3/16 X 0-1/2 INCH	4
18	R41-ORG04203503.5	'O' RING SEAL 42X35X3.5 (BS220)	2
19	S33-30406.35025	SCREW CSK SL MT 304 0-1/4 X 1 INCH	4
20	S33-30404.76025	SCREW CSK SL MT 304 0-3/16 X 1 INCH	2
21	P13-BRZLEVHR1200CM	PAWL LEVER HANDLE HR1200C COUGAR L/HAND	1
23	F90-HANHDPE200	HANDLE HDPE 8" (200mm)	1
24	P02-GSH035.0025.061	BEARING GUARDSHAFT HR3500C CAPSTAN	1

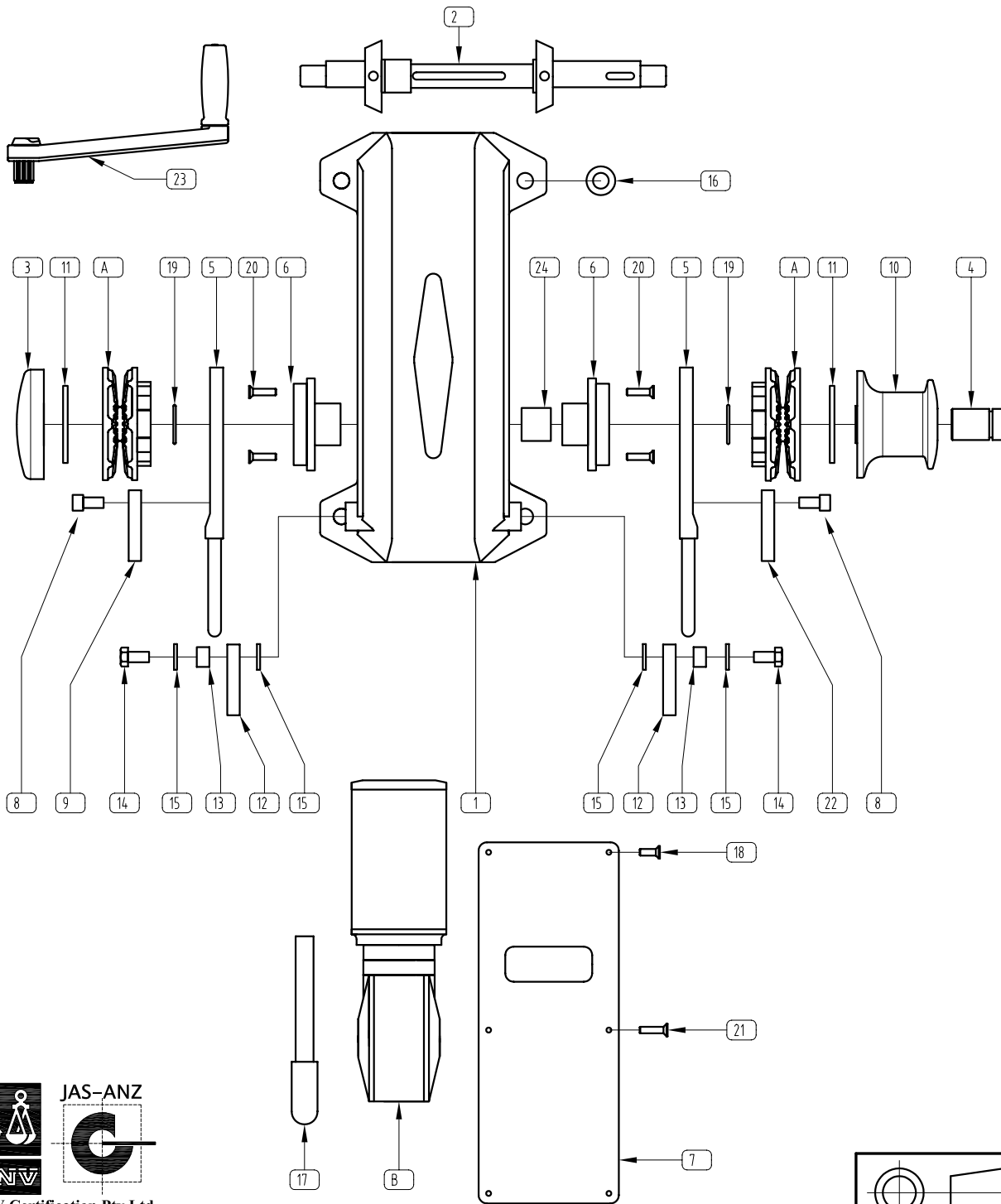
A: GYPSY
 B: MOTOR / GEARBOX ASSEMBLY



TITLE HR3500 COMPACT / TWIN GYPSY/CAPSTAN EXPLODED VIEW			
PART No. K08-COMHR3500D (JAGUAR)			
DRN AC	DATE 15/10/04	DRG No. K08-COMHR3500D	
SCALE NTS	APP1	APP2	SIZE A4
© COPYRIGHT MUIR ENGINEERING PTY. LTD.			

TOLERANCES (mm)	
X.	±
X.X	±
X.XX	±
UNLESS OTHERWISE SPECIFIED	
MATERIAL	FINISH





ITEM	PART NUMBER	DESCRIPTION	QTY
1	P22-HSGHR3500A2G	HOUSING ALLOY HR3500 JAGUAR TWIN GYPSY	1
2	K06-SFTHR3500C	SHAFT ASSEMBLY HR3500 JAGUAR 2G/SC PORT	1
3	P07-CLNBRZVR00850A	CLUTCH NUT BRONZE VR850A	1
4	P07-CLNBRZVRC00850A	CLUTCH NUT BRONZE VRC850A	1
5	P11-HANAB2LEV01200C	HANDLE LEVER AB2 HR1200C COUGAR	2
6	P02-NOVHR01200CLH	BEARING LEVER HANDLE NOV HR1200C COUGAR	2
7	P22-BPLALLHR03500	BASE PLATE ALLOY HR3500 JAGUAR	1
8	S45-30407.94013	SCREW SHCS SS304 5/16 X 0-1/2 INCH	2
9	P13-BRZLEVHR1200C	PAWL LEVER HANDLE HR1200C COUGAR	1
10	P04-CAPBRZ00850A	CAPSTAN BRONZE VRC850A	1
11	P23-316050.8022.305	'D' WASHER SS 316 2" x 7/8" x 5MM	2
12	P13-BRZCWGHR3500C	PAWL COUNTERWEIGHT HR3500C JAGUAR	2
13	P02-303015.8012.717	BUSH SS303 HR3500C COUNTERWEIGHT PAWL	2
14	S36-30412.70UNC051	SCREW HEX HD SS304 1/2 UNC X 2 INCH	2
15	S75-30412.70025	WASHER FLAT SS304 1/2 INCH X 1 INCH	4
16	P02-NYL025.0010.517	BUSH NYLON HR1200C COUGAR FOOT	4
17	P11-HAN304EXHR1200C	HANDLE EXTENSION 304 HR1200C COUGAR	1
18	S33-30404.76013	SCREW CSK SL MT 304 0-3/16 X 0-1/2 INCH	4
19	R41-ORG04203503.5	'O' RING SEAL 42X35X3.5 (BS220)	2
20	S33-30406.35025	SCREW CSK SL MT 304 0-1/4 X 1 INCH	4
21	S33-30404.76025	SCREW CSK SL MT 304 0-3/16 X 1 INCH	2
22	P13-BRZLEVHR1200CM	PAWL LEVER HANDLE HR1200C COUGAR L/HAND	1
23	F90-HANHDPE200	HANDLE HDPE 8" (200mm)	1
24	P02-GSH035.0025.061	BEARING GUARDSHAFT HR3500C CAPSTAN	1

A: GYPSY
 B: MOTOR / GEARBOX ASSEMBLY

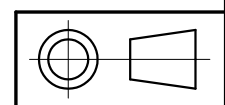
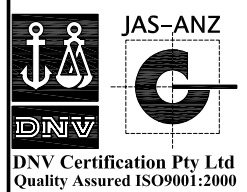
MUIR WINDLASSES AUSTRALIA

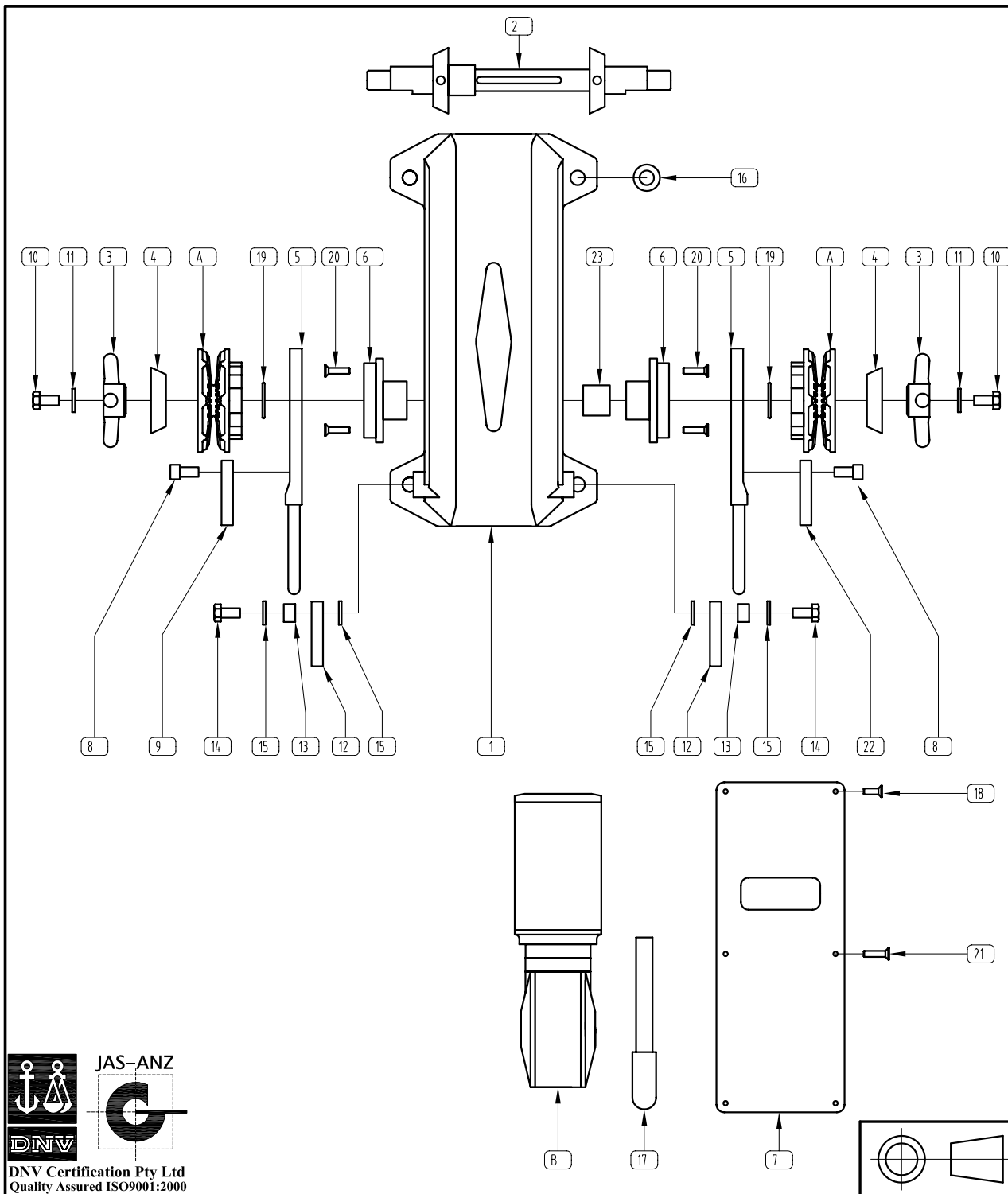
TITLE
 HR3500 COMPACT / TWIN GYP / SINGLE CAP
 EXPLODED VIEW / CAPSTAN TO PORT

PART No.
 K08-COMHR3500C (JAGUAR)

DRN AC	DATE 05/04/04	DRG No. K08-COMHR3500C
SCALE NTS	APP1	APP2
SIZE A4		

© COPYRIGHT MUIR ENGINEERING PTY. LTD.



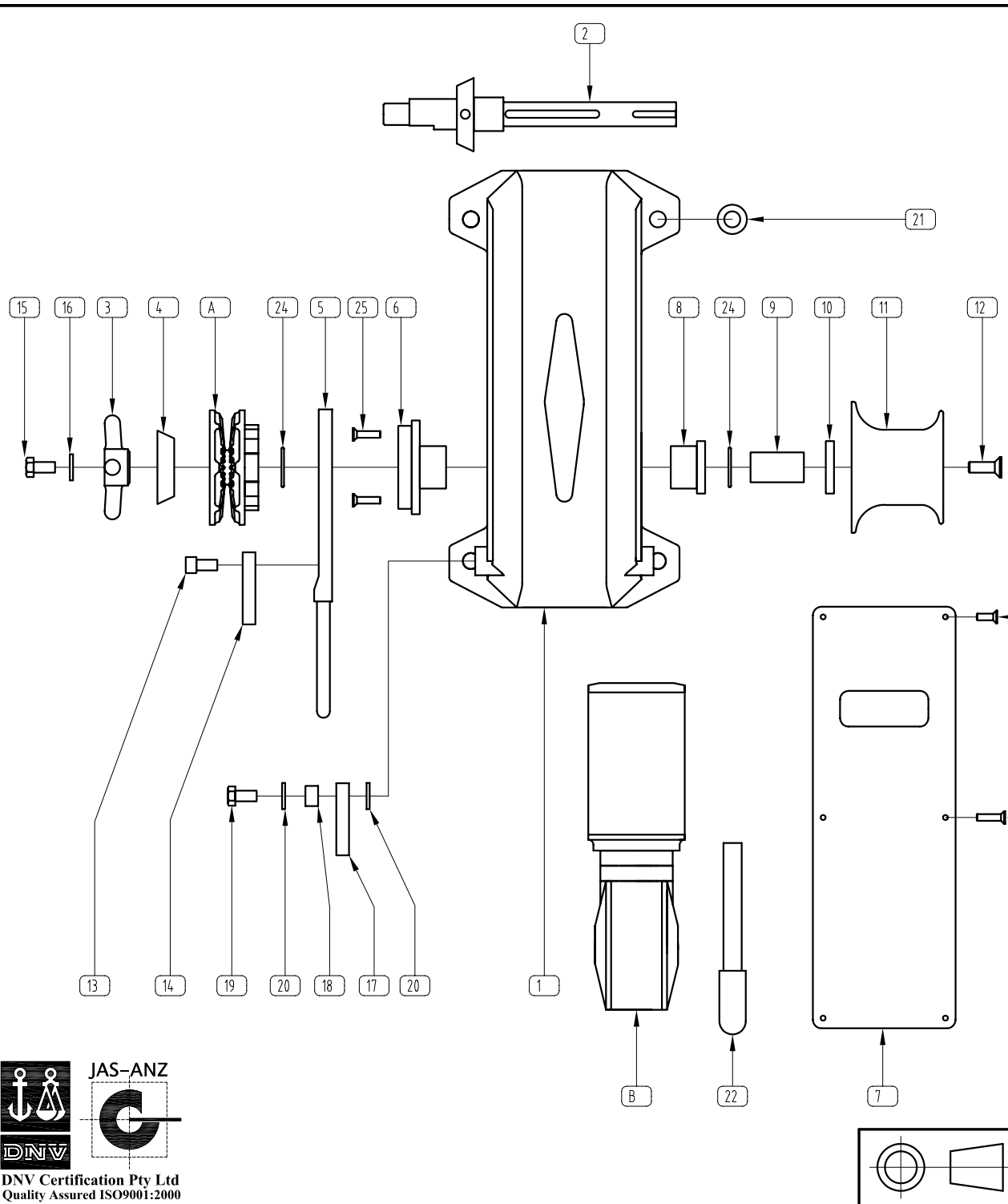


ITEM	PART NUMBER	DESCRIPTION	QTY
1	P22-HSGHR3500A2G	HOUSING ALLOY HR3500 JAGUAR TWIN GYPSY	1
2	K06-SFTHR3500B	SHAFT ASSEMBLY HR3500 JAGUAR 2G	1
3	P07-CLNBRZHR01200C	CLUTCH NUT BRONZE HR1200 COUGAR 3 PRONG	2
4	P08-CNEBRZHR01200CD	'D' CONE BRONZE HR1200C COUGAR	2
5	P11-HANAB2LEV01200C	HANDLE LEVER AB2 HR1200C COUGAR	2
6	P02-NOVHR01200CLH	BEARING LEVER HANDLE NOV HR1200C COUGAR	2
7	P22-BPLALLHR03500	BASE PLATE ALLOY HR3500 JAGUAR	1
8	S45-30407.94013	SCREW SHCS SS304 5/16 X 0-1/2 INCH	2
9	P13-BRZLEVHR1200C	PAWL LEVER HANDLE HR1200C COUGAR	1
10	S36-30409.52013	SCREW HEX HD SS304 3/8 X 0-1/2 INCH	2
11	S75-30409.52025	WASHER FLAT SS304 3/8 INCH 1 LGE/OD	2
12	P13-BRZCWGHR3500C	PAWL COUNTERWEIGHT HR3500C JAGUAR	2
13	P02-303015.8012.717	BUSH SS303 HR3500C COUNTERWEIGHT PAWL	2
14	S36-30412.70UNC051	SCREW HEX HD SS304 1/2 UNC X 2 INCH	2
15	S75-30412.70025	WASHER FLAT SS304 1/2 INCH X 1 INCH	4
16	P02-NYL025.0010.517	BUSH NYLON HR1200C COUGAR FOOT	4
17	P11-HAN304EXHR1200C	HANDLE EXTENSION 304 HR1200C COUGAR	1
18	S33-30404.76013	SCREW CSK SL MT 304 0-3/16 X 0-1/2 INCH	4
19	R41-ORG04203503.5	'O' RING SEAL 42X35X3.5 (BS220)	2
20	S33-30406.35025	SCREW CSK SL MT 304 0-1/4 X 1 INCH	4
21	S33-30404.76025	SCREW CSK SL MT 304 0-3/16 X 1 INCH	2
22	P13-BRZLEVHR1200CM	PAWL LEVER HANDLE HR1200C COUGAR L/HAND	1
23	P02-GSH035.0025.061	BEARING GUARDSHAFT HR3500C CAPSTAN	1

A: GYPSY
B: MOTOR / GEARBOX ASSEMBLY

MUIR WINDLASSES AUSTRALIA

TOLERANCES (mm)		TITLE	
X.	±	HR3500 COMPACT / TWIN GYPSY	
X.X	±	EXPLODED VIEW	
X.XX	±	PART No. K08-COMHR3500B (JAGUAR)	
UNLESS OTHERWISE SPECIFIED		DRN	DATE
MATERIAL		AC	14/05/02
FINISH		DRG No. K08-COMHR3500B	
		SCALE	SIZE
		NTS	A4
© COPYRIGHT MUIR ENGINEERING PTY. LTD.			



ITEM	PART NUMBER	DESCRIPTION	QTY
1	P22-HSGHR3500A	HOUSING ALLOY HR3500 JAGUAR SG/SC	1
2	K06-SFTHR3500A	SHAFT ASSEMBLY HR3500 JAGUAR SG/SC	1
3	P07-CLNBRZHR01200C	CLUTCH NUT BRONZE HR1200 COUGAR 3 PRONG	1
4	P08-CNEBRZHR01200CD	'D' CONE BRONZE HR1200C COUGAR	1
5	P11-HANAB2LEV01200C	HANDLE LEVER BRS HR1200C COUGAR	1
6	P02-NOVHR01200CLH	BEARING LEVER HANDLE NOV HR1200C COUGAR	1
7	P22-BPLALLHR03500	BASE PLATE ALLOY HR3500 JAGUAR	1
8	P02-NOVHR01200CCS	BEARING CAPSTAN SIDE NOV HR1200C COUGAR	1
9	P02-GSH035.0025.061	BEARING GUARDSHAFT HR3500C CAPSTAN	1
10	P02-BRS051.0025.019	SPACER BRASS HR3500C CAPSTAN	1
11	P04-CAPBRZ00850S	CAPSTAN BRONZE VC850S	1
12	S33-30409.52032	SCREW CSK SL MT 304 0-3/8 X 1-1/4 INCH	1
13	S45-30407.94013	SCREW SHCS SS304 5/16 X 0-1/2 INCH	1
14	P13-BRZLEVHR1200C	PAWL LEVER HANDLE HR1200C COUGAR	1
15	S36-30409.52013	SCREW HEX HD SS304 3/8 X 0-1/2 INCH	1
16	S75-30409.52025	WASHER FLAT SS304 3/8 INCH 1 LGE/OD	1
17	P13-BRZCWGHR3500C	PAWL COUNTERWEIGHT HR3500C JAGUAR	1
18	P02-303015.8012.717	BUSH SS303 HR3500C COUNTERWEIGHT PAWL	1
19	S36-30412.70UNC051	SCREW HEX HD SS304 1/2 UNC X 2 INCH	1
20	S75-30412.70025	WASHER FLAT SS304 1/2 INCH X 1 INCH	2
21	P02-NYL025.0010.517	BUSH NYLON HR1200C COUGAR FOOT	4
22	P11-HAN304EXHR1200C	HANDLE EXTENSION 304 HR1200C COUGAR	1
23	S33-30404.76013	SCREW CSK SL MT 304 0-3/16 X 0-1/2 INCH	4
24	R41-ORG04203503.5	'O' RING SEAL 42X35X3.5 (BS220)	2
25	S33-30406.35025	SCREW CSK SL MT 304 0-1/4 X 1 INCH	2
26	S33-30404.76025	SCREW CSK SL MT 304 0-3/16 X 1 INCH	2

A: GYPSY
 B: MOTOR / GEARBOX ASSEMBLY



TOLERANCES (mm)	
X.	±
X.X	±
X.XX	±
UNLESS OTHERWISE SPECIFIED	
MATERIAL	
FINISH	

TITLE			
HR3500 COMPACT / SINGLE GYPSY/CAPSTAN			
EXPLODED VIEW / CAPSTAN TO PORT			
PART No.			
K08-COMHR3500 (JAGUAR)			
DRN	DATE	DRG No.	
AC	07/04/02	K08-COMHR3500	
SCALE	APP1	APP2	SIZE
NTS			A4
© COPYRIGHT MUIR ENGINEERING PTY. LTD.			

