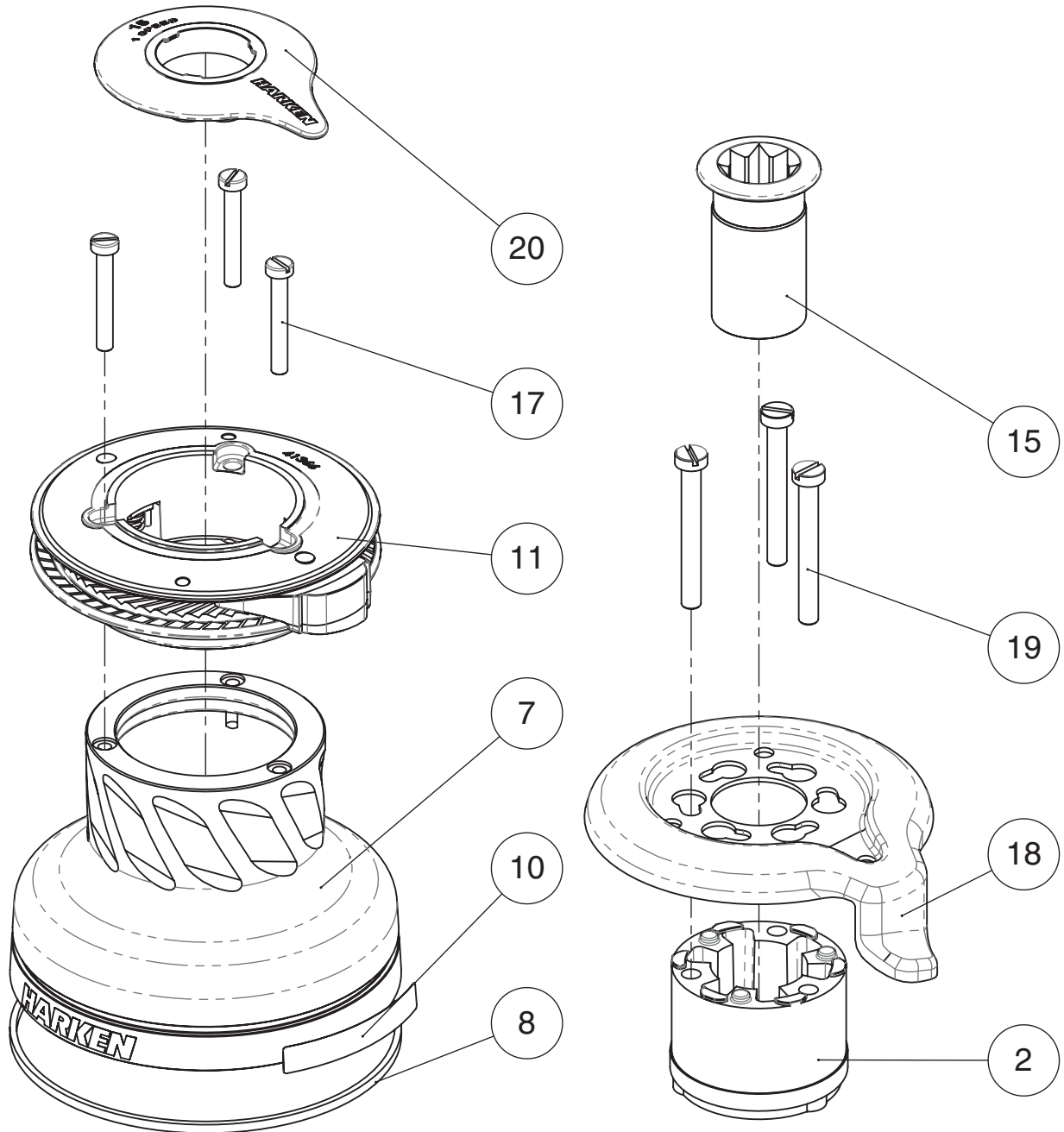
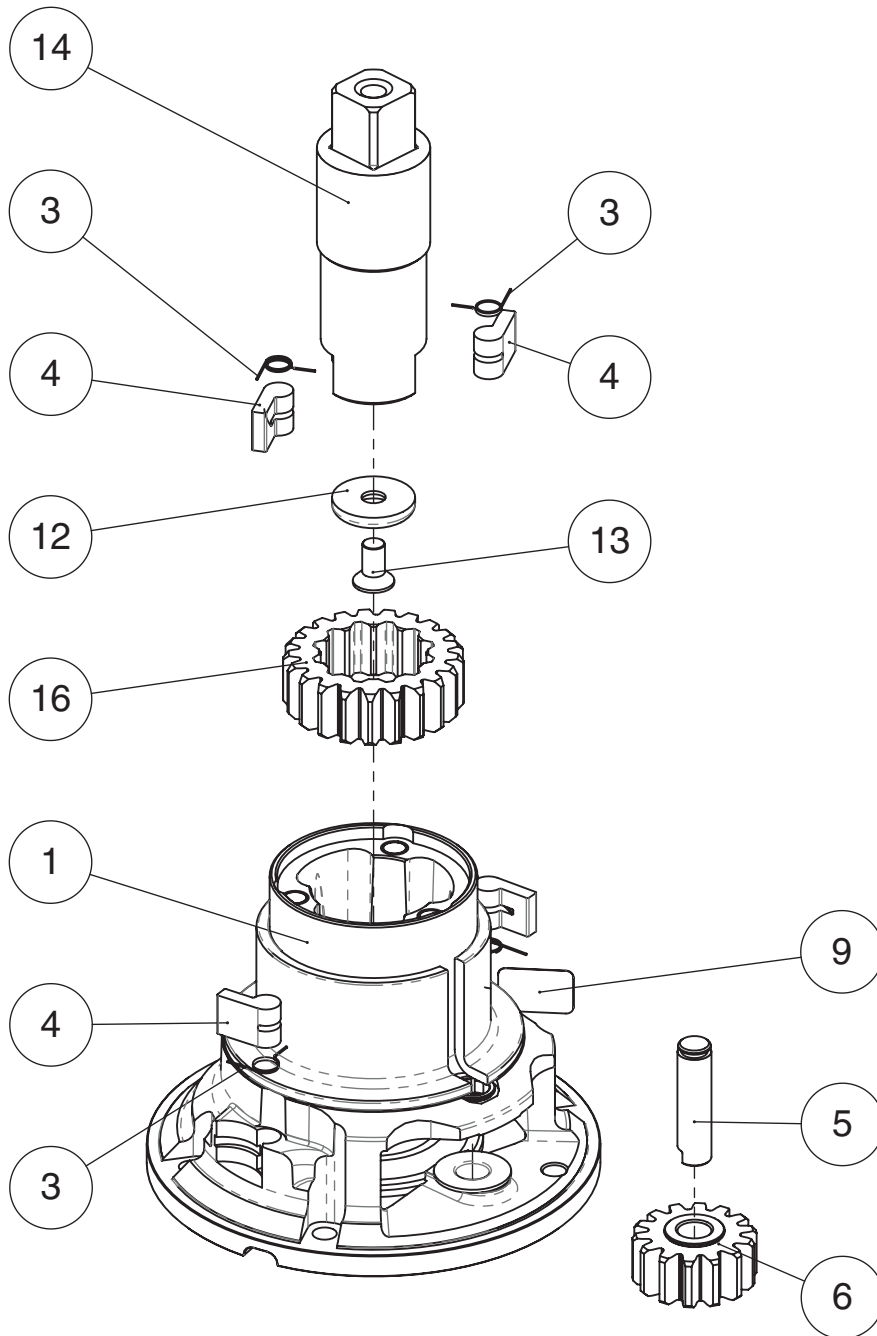


Exploded view

Radial Winch 15 STA



Radial Winch 15 STA

Parts List

Radial Winch 15 STA

A = drum in anodised aluminium

Pos.	Q.ty	Code	Description
1	1	A96781600	Assy Housing Winch 15 <i>Winch 15 Housing</i> <i>Heli-coil M6x9</i>
	1	S413740085	<i>Bushing Ø9xØ11x9</i>
	1	S413960085	<i>Bushing Ø9xØ11x12</i>
	1	S413720080	<i>Bushing Ø55xØ62x34</i>
	1	S4137300B2	<i>Washer Ø33.5xØ58x5.5</i>
	1	S4137100A7	<i>Bushing Ø28xØ33x25</i>
2	1	S4129400A0	Stripper arm support
3	4	S000380001	Pawl Spring Ø8*
4	4	S000080003	Pawl Ø8*
5	1	S678200004	Winch 15 Pin
6	1	A96781900	Assy Gear Z14 <i>Gear Z14</i>
	2	S418730080	<i>Bushing Ø9xØ11x7</i>
7	1	S678170053	Winch 15 Drum
8	1	S281670097	Red line
9			Winch Serial Number Sticker
10			Winch Product Sticker**
11	1	A96620900	PERFORMA W20 Jaws Assembly <i>Lower Jaw W20</i> <i>PERFORMA Upper Jaw W20</i>
	1	S663760080	<i>PERFORMA Peeler W20</i>
	3	S385970001	<i>SPRING</i>
12	1	S268890080	Washer
13	1	M0604003	Screw M6x12 UNI 5933
14	1	S678180002	Winch 15 Shaft
15	1	A94136400	Assy Socket W20-80 <i>Socket Handle W20/80</i>
	1	S415130085	<i>Washer Ø7.7xØ25x5.8</i>
	1	M0614303	<i>Screw M8x20 UNI 6109</i>
16	1	S413620041	Gear Z21
17	3	M6009103	Screw M5x35 UNI EN ISO 1207:1996 A4
18	1	S413570019	Stripper Arm W20
19	3	M6007103	Screw M6x50 UNI6107
20	1	S6782300A5	Cover 1 Speed Winch 15

*Available with service kit; see website www.harken.com

**Winch product sticker

