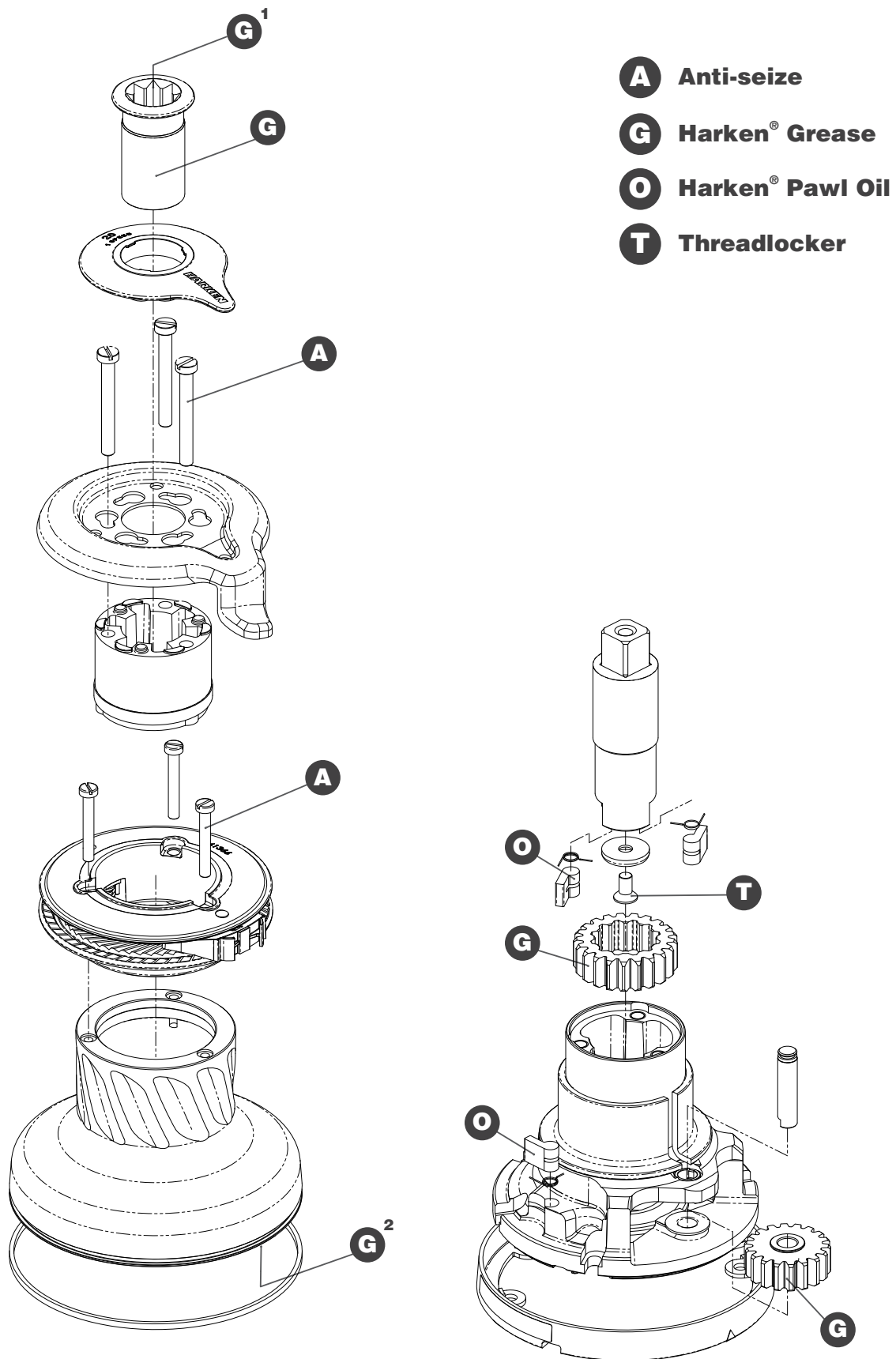
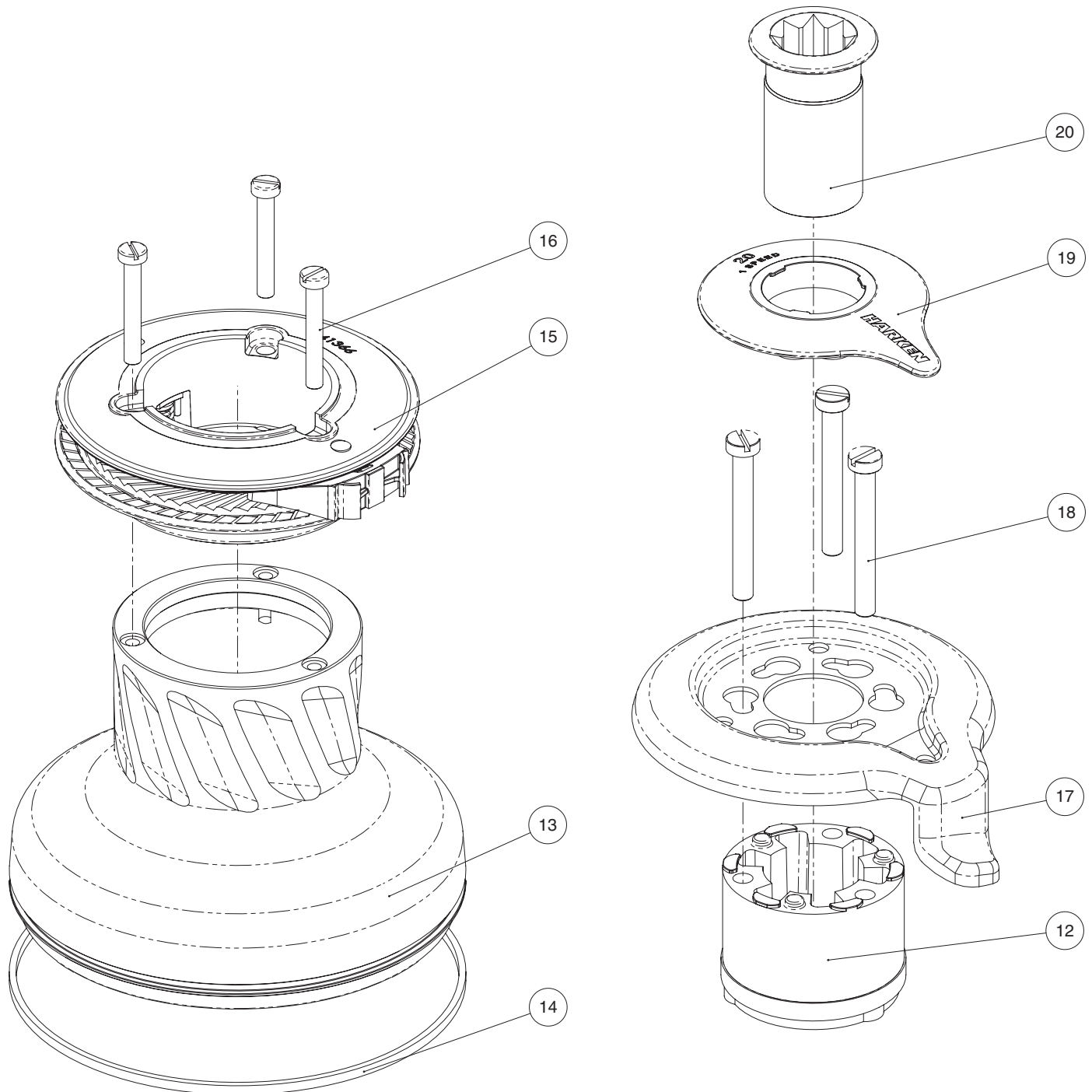


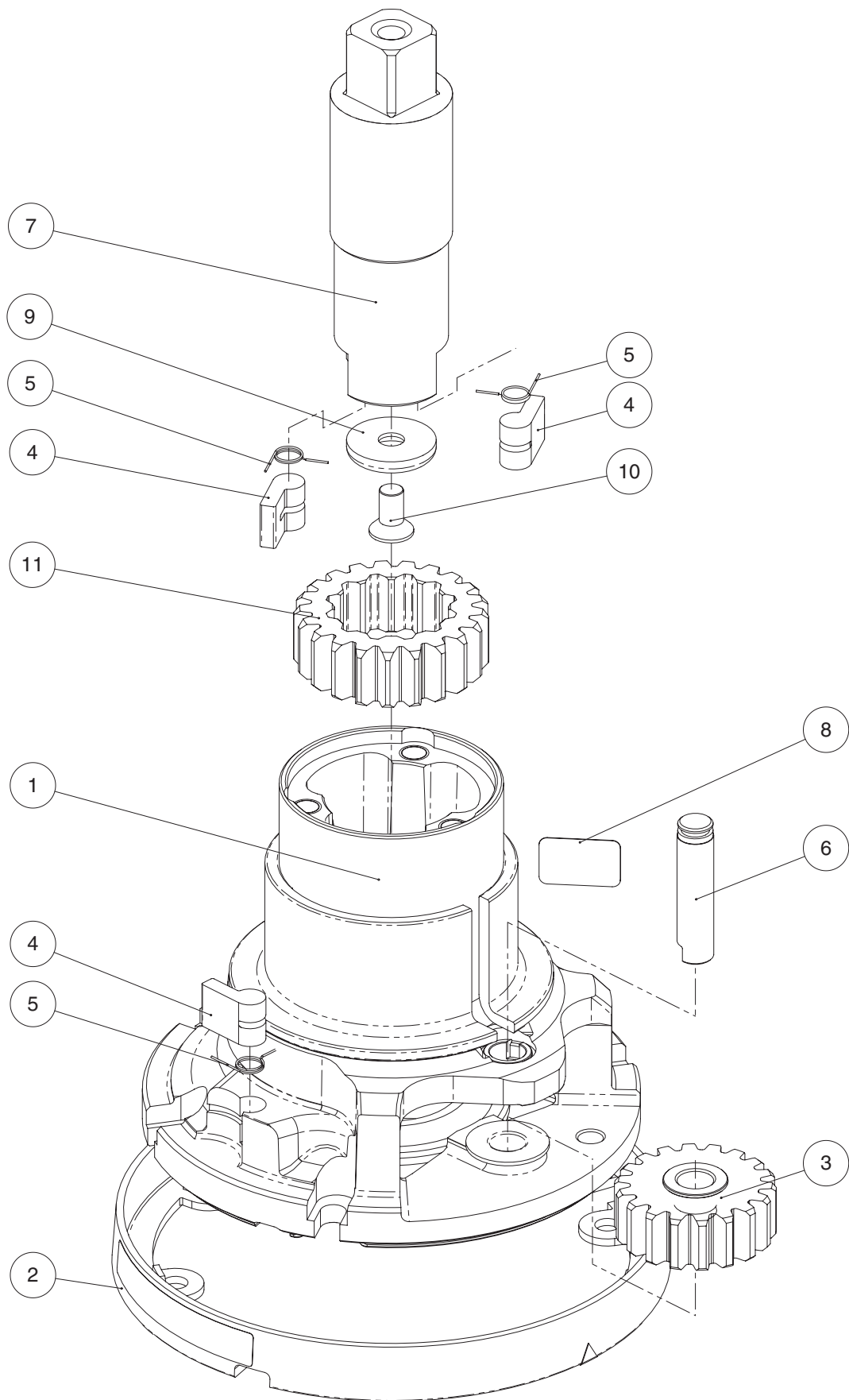
Exploded view with maintenance products

1. Apply Harken® grease on assy socket screw - 2. Apply Harken® grease on drum gear

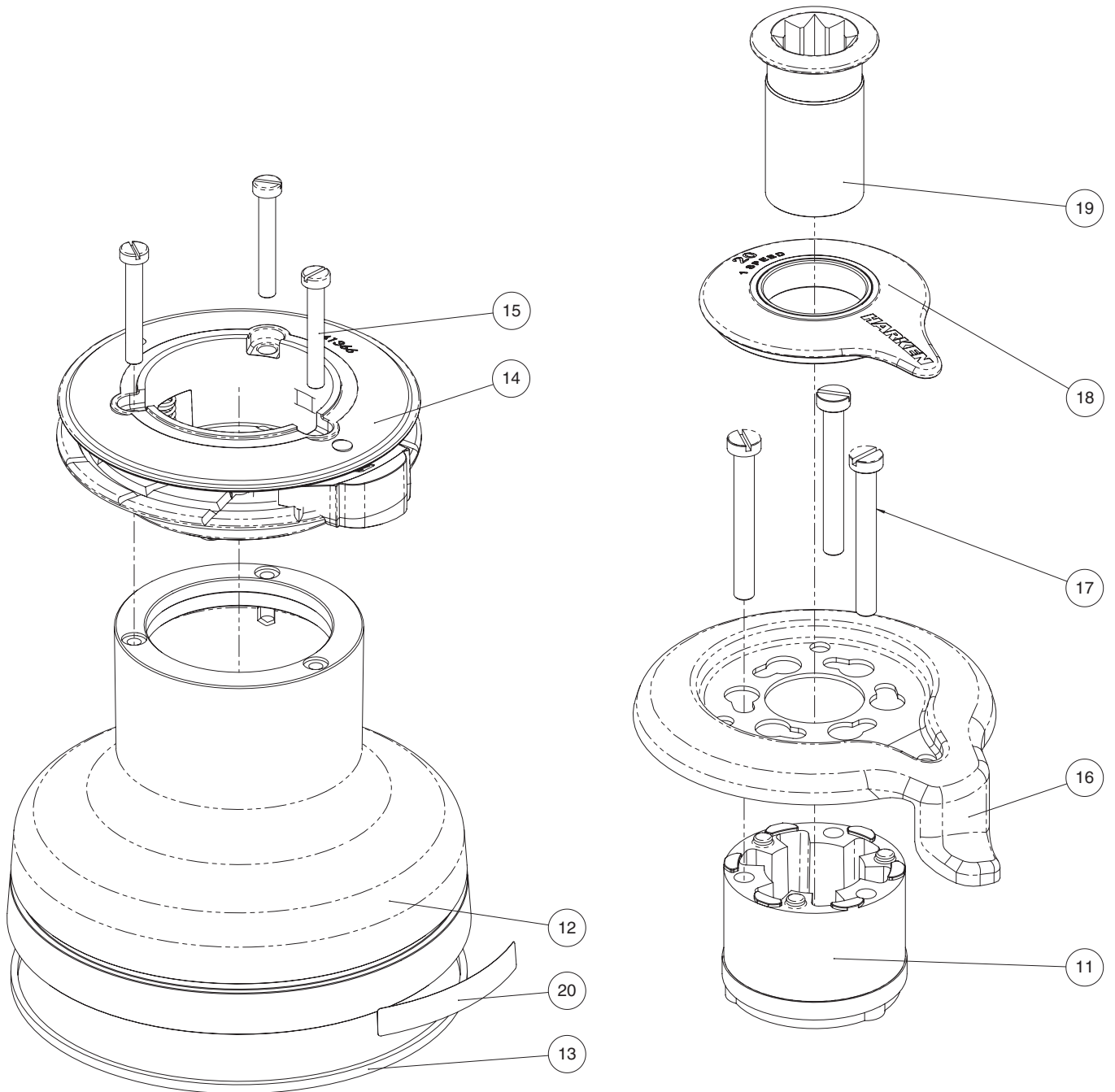
Exploded view

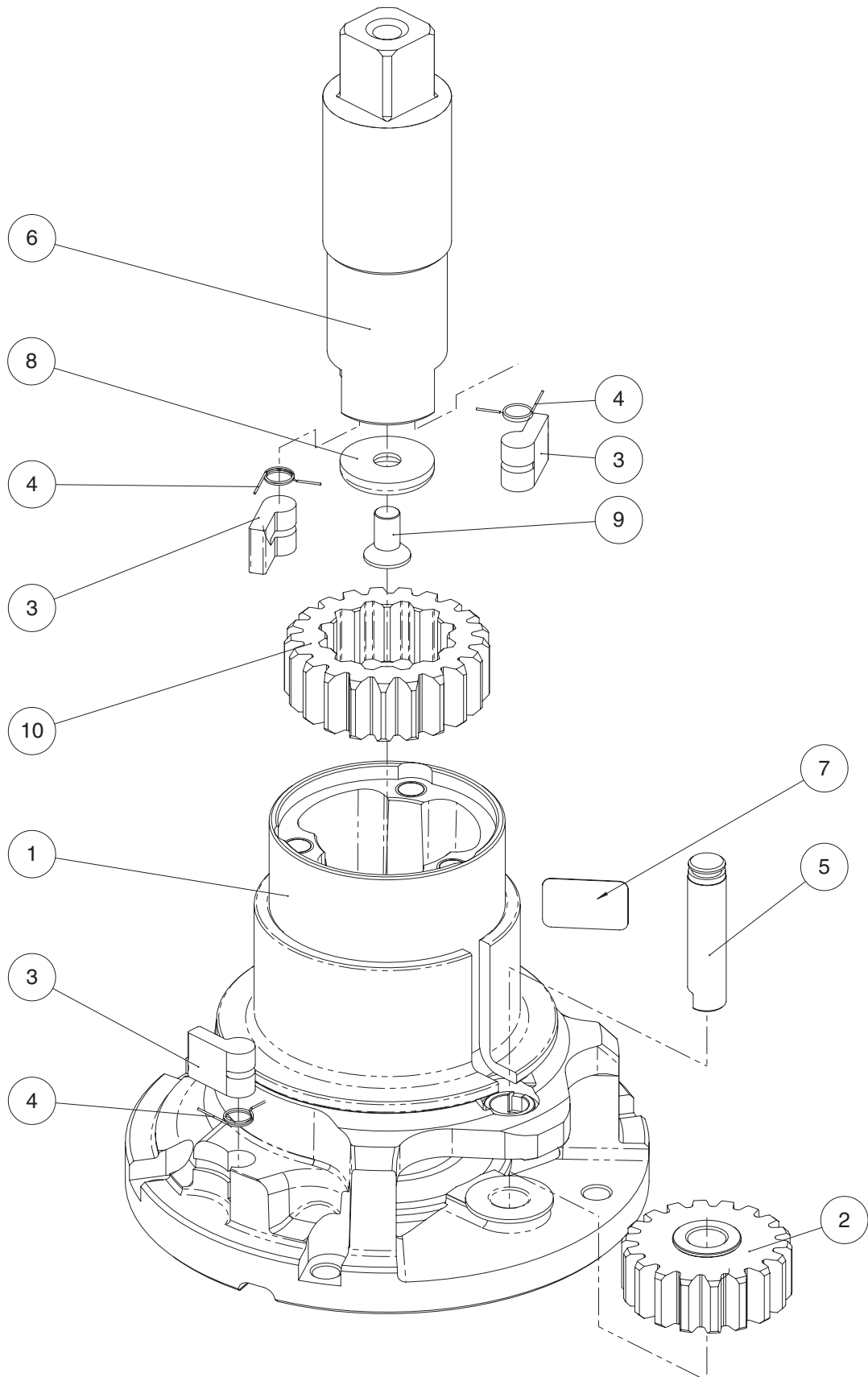
Radial Winch 20 STA, STC, STCW



Radial Winch 20 STA, STC, STCW

Radial Winch 20 STBBB, STCCC



Radial Winch 20 STBBB, STCCC

Parts List

Radial Winch 20 STA

A = drum in anodised aluminium

Pos.	Q.ty	Code	Description
1	1	A94136900	Assy Housing Winch 20
			<i>Housing W20</i>
	1	S413740085	<i>Bushing Ø9xØ11x9</i>
	1	S413960085	<i>Bushing Ø9xØ11x12</i>
			<i>Heli-coil M6x9</i>
	1	S413720080	<i>Bushing Ø55xØ62x34</i>
	1	S4137300B2	<i>Washer Ø33.5xØ58x5.5</i>
		S4137100A7	<i>Bushing Ø28xØ33x25</i>
2	1	A94138600	Assy Skirt Winch 20
			<i>Skirt W20</i>
			<i>Winch Product Sticker**</i>
3	1	A94136700	Assy Gear Z18
			<i>Gear Z18</i>
	2	S418730080	<i>Bushing Ø9xØ11x7</i>
4	4	S000080003	Pawl Ø8*
5	4	S000380001	Pawl Spring Ø8*
6	1	S413700004	Pin
7	1	S413630002	Shaft Winch 20
8			Winch Serial Number Sticker
9	1	S268890080	Washer
10	1	M0604003	Screw M6x12 UNI 5933
11	1	S413620041	Gear Z21
12	1	S4129400A0	Stripper arm support
13	1	S413560053	Drum W20
14	1	S281670097	Red line
15	1	A94136500	Assy Jaws Winch 20
			<i>Lower Jaw W20</i>
			<i>Upper Jaw W20</i>
			<i>Peeler W20 - 40</i>
	3	S385970001	<i>SPRING</i>
16	3	M6009103	Screw UNI EN ISO 1207:1996 - M5x35-A4
17	1	S413570019	Stripper Arm W20
18	3	M6007103	Screw M6x50 UNI6107
19	1	S4135800A5	Cover 1 Speed W20
20	1	A94136400	Assy Socket W20-80
			<i>Socket Handle W20/80</i>
			<i>Washer Ø7.7xØ25x5.8</i>
			<i>Screw M8x20 UNI 6109</i>
	1	S415130085	
	1	M0614303	

*Available with service kit; see website www.harken.com

**Winch product sticker



Radial Winch 20 STC

C = drum in chrome bronze

Pos.	Q.ty	Code	Description
1	1	A94136900	Assy Housing Winch 20 <i>Housing W20</i>
	1	S413740085	<i>Bushing Ø9xØ11x9</i>
	1	S413960085	<i>Bushing Ø9xØ11x12</i>
			<i>Heli-coil M6x9</i>
	1	S413720080	<i>Bushing Ø55xØ62x34</i>
	1	S4137300B2	<i>Washer Ø33.5xØ58x5.5</i>
	1	S4137100A7	<i>Bushing Ø28xØ33x25</i>
2	1	A94138600	Assy Skirt Winch 20 <i>Skirt W20</i> <i>Winch Product Sticker**</i>
3	1	A94136700	Assy Gear Z18 <i>Gear Z18</i>
	2	S418730080	<i>Bushing Ø9xØ11x7</i>
4	4	S000080003	Pawl Ø8*
5	4	S000380001	Pawl Spring Ø8*
6	1	S413700004	Pin
7	1	S413630002	Shaft Winch 20
8			Winch Serial Number Sticker
9	1	S268890080	Washer
10	1	M0604003	Screw M6x12 UNI 5933
11	1	S413620041	Gear Z21
12	1	S4129400A0	Stripper arm support
13	1	S413550043	Drum C W20
14	1	S281670097	Red line
15	1	A94136500	Assy Jaws Winch 20 <i>Lower Jaw W20</i> <i>Upper Jaw W20</i>
	1	S413610080	<i>Peeler W20 - 40</i>
	3	S385970001	<i>SPRING</i>
16	3	M6009103	Screw UNI EN ISO 1207:1996 - M5x35-A4
17	1	S413570019	Stripper Arm W20
18	3	M6007103	Screw M6x50 UNI6107
19	1	S4135800A5	Cover 1 Speed W20
20	1	A94136400	Assy Socket W20-80 <i>Socket Handle W20/80</i>
	1	S415130085	<i>Washer Ø7.7xØ25x5.8</i>
	1	M0614303	<i>Screw M8x20 UNI 6109</i>

*Available with service kit; see website www.harken.com

**Winch product sticker



Radial Winch 20 STCW

CW = chrome/white

Pos.	Q.ty	Code	Description
1	1	A94136900	Assy Housing Winch 20 <i>Housing W20</i>
	1	S413740085	<i>Bushing Ø9xØ11x9</i>
	1	S413960085	<i>Bushing Ø9xØ11x12</i>
			<i>Heli-coil M6x9</i>
	1	S413720080	<i>Bushing Ø55xØ62x34</i>
	1	S4137300B2	<i>Washer Ø33.5xØ58x5.5</i>
	1	S4137100A7	<i>Bushing Ø28xØ33x25</i>
2	1	A94138600W	Assy Skirt Winch 20 RAL9003 <i>Skirt W20 RAL9003</i> <i>Winch Product Sticker**</i>
3	1	A94136700	Assy Gear Z18 <i>Gear Z18</i>
	2	S418730080	<i>Bushing Ø9xØ11x7</i>
4	4	S000080003	Pawl Ø8*
5	4	S000380001	Pawl Spring Ø8*
6	1	S413700004	Pin
7	1	S413630002	Shaft Winch 20
8			Winch Serial Number Sticker
9	1	S268890080	Washer
10	1	M0604003	Screw M6x12 UNI 5933
11	1	S413620041	Gear Z21
12	1	S4129400A0	Stripper arm support
13	1	S413550043	Drum C W20
14	1	S281670097	Red line
15	1	A94136500W	Assy Jaws Winch 20 RAL9003 <i>Lower Jaw W20 RAL9003</i> <i>Upper Jaw W20 RAL9003</i>
	1	S413610080W	<i>Peeler W20 - 40 RAL9003</i>
	3	S385970001	<i>SPRING</i>
16	3	M6009103	Screw UNI EN ISO 1207:1996 - M5x35-A4
17	1	S413570019	Stripper Arm W20
18	3	M6007103	Screw M6x50 UNI6107
19	1	S4135800A5W	Cover 1 Speed W20 RAL9003
20	1	A94136400	Assy Socket W20-80 <i>Socket Handle W20/80</i>
	1	S415130085	<i>Washer Ø7.7xØ25x5.8</i>
	1	M0614303	<i>Screw M8x20 UNI 6109</i>

*Available with service kit; see website www.harken.com

**Winch product sticker



Radial Winch 20 STBBB

BBB = all bronze

Pos.	Q.ty	Code	Description
1	1	A96874100	Assy Housing Winch 20
			<i>Housing W20</i>
	1	S413740085	<i>Bushing Ø9xØ11x9</i>
	1	S413960085	<i>Bushing Ø9xØ11x12</i>
			<i>Heli-coil M6x9</i>
	1	S413720080	<i>Bushing Ø55xØ62x34</i>
			<i>Washer Ø33.5xØ58x5.5</i>
			<i>Bushing Ø28xØ33x25</i>
2	1	A94136700	Assy Gear Z18
			<i>Gear Z18</i>
	2	S418730080	<i>Bushing Ø9xØ11x7</i>
3	4	S000080003	Pawl Ø8*
4	4	S000380001	Pawl Spring Ø8*
5	1	S413700004	Pin
6	1	S413630002	Shaft Winch 20
7			Winch Serial Number Sticker
8	1	S268890080	Washer
9	1	M0604003	Screw M6x12 UNI 5933
10	1	S413620041	Gear Z21
11	1	S4129400A0	Stripper arm support
12	1	S416650043	Drum 20 BBB
13	1	S281670097	Red line
14	1	A96931900	Assy Jaws Winch 20 BBB
			<i>Lower Jaw W20 BBB</i>
			<i>Upper Jaw W20</i>
	1	S413610080	<i>Peeler W20 - 40</i>
	3	S385970001	<i>SPRING</i>
15	3	M6009103	Screw UNI EN ISO 1207:1996 - M5x35-A4
16	1	S693180019	Stripper Arm W20 BBB
17	3	M6007103	Screw M6x50 UNI6107
18	1	A76932000	COVER W20 BBB
19	1	A94136400	Assy Socket W20-80
			<i>Socket Handle W20/80</i>
	1	S415130085	<i>Washer Ø7.7xØ25x5.8</i>
	1	M0614303	<i>Screw M8x20 UNI 6109</i>
20			Winch Product Sticker**

*Available with service kit; see website www.harken.com

**Winch product sticker



Radial Winch 20 STCCC

CCC = All-Chrome bronze

Pos.	Q.ty	Code	Description
1	1	A96874100	Assy Housing Winch 20
			<i>Housing W20</i>
	1	S413740085	<i>Bushing Ø9xØ11x9</i>
	1	S413960085	<i>Bushing Ø9xØ11x12</i>
			<i>Heli-coil M6x9</i>
	1	S413720080	<i>Bushing Ø55xØ62x34</i>
			<i>Washer Ø33.5xØ58x5.5</i>
			<i>Bushing Ø28xØ33x25</i>
2	1	A94136700	Assy Gear Z18
			<i>Gear Z18</i>
	2	S418730080	<i>Bushing Ø9xØ11x7</i>
3	4	S000080003	Pawl Ø8*
4	4	S000380001	Pawl Spring Ø8*
5	1	S413700004	Pin
6	1	S413630002	Shaft Winch 20
7			Winch Serial Number Sticker
8	1	S268890080	Washer
9	1	M0604003	Screw M6x12 UNI 5933
10	1	S413620041	Gear Z21
11	1	S4129400A0	Stripper arm support
12	1	S416690043	Drum CCC W20
13	1	S281670097	Red line
14	1	A96811700	Assy Jaws Winch 20 CCC
			<i>Lower Jaw W20 CCC</i>
			<i>Upper Jaw W20 RAL9003</i>
	1	S413610080W	<i>Peeler W20 - 40 RAL9003</i>
	3	S385970001	<i>SPRING</i>
15	3	M6009103	Screw UNI EN ISO 1207:1996 - M5x35-A4
16	1	S413570019	Stripper Arm W20
17	3	M6007103	Screw M6x50 UNI6107
18	1	A76811000	Cover W20 CCC
19	1	A94136400	Assy Socket W20-80
			<i>Socket Handle W20/80</i>
			<i>Washer Ø7.7xØ25x5.8</i>
	1	S415130085	<i>Screw M8x20 UNI 6109</i>
	1	M0614303	
20			Winch Product Sticker**

*Available with service kit; see website www.harken.com

**Winch product sticker

