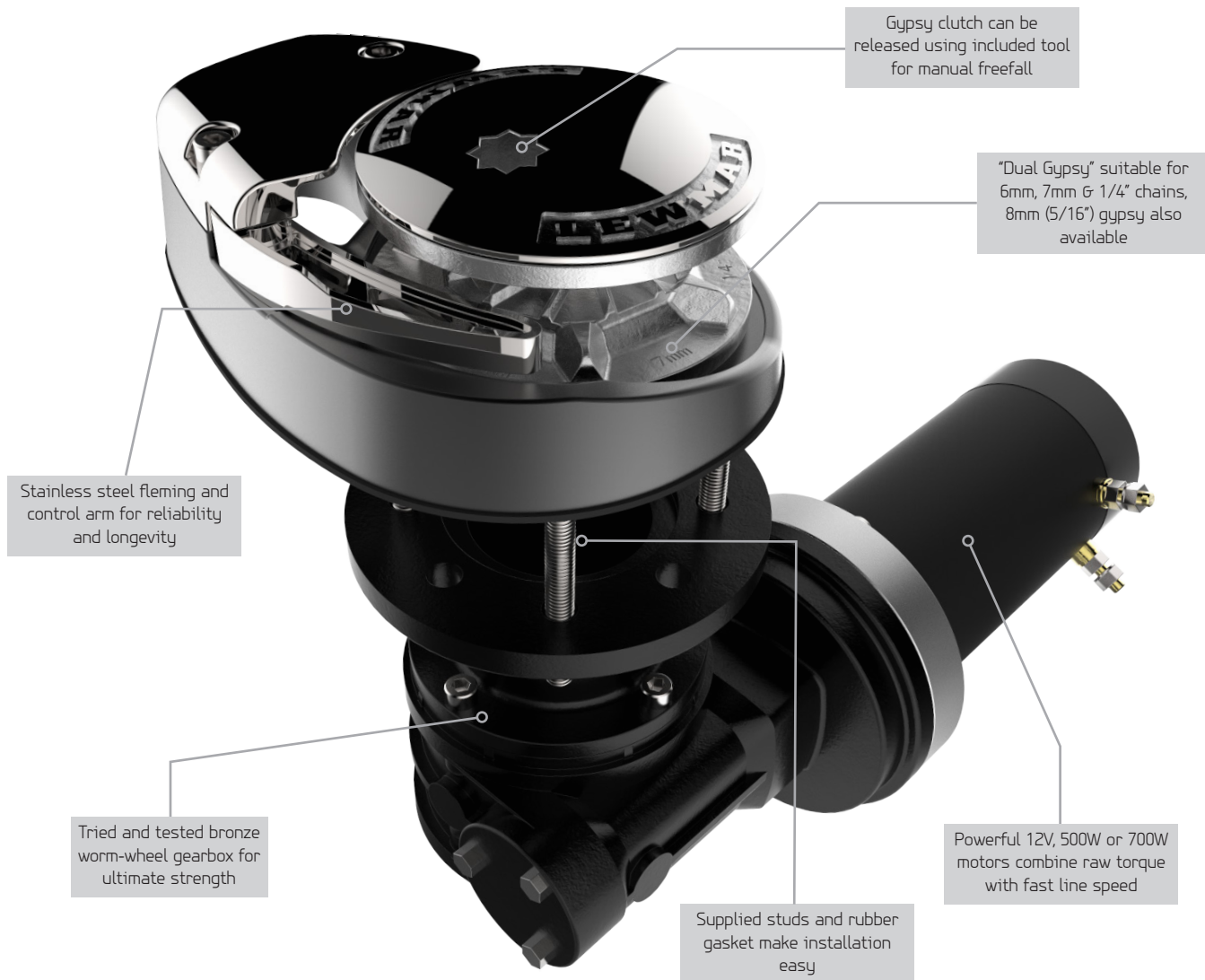




CPX0 Windlass

The CPX0 fills the gap at the smaller end of the CPX range for boats between 24ft and 36ft. The unit Utilises the same alloy and stainless construction as its larger siblings, together with tried and tested worm-wheel motor gearboxes and compact, powerful 12V motors.



MODEL	MAX PULL		WORKING LOAD LIMIT		MAX LINE SPEED		NORMAL CURRENT DRAW Amp	CIRCUIT BREAKER Amp	APPROX WEIGHT	
	kg	lb	kg	lb	m/min	ft/min			kg	lb
500W	410	900	103	226	14	46	75	70	9.2	20.2
700W	600	1320	150	330	15.5	51	105	90	17	37.4





CPX0 Windlass

CPX0 Basic Windlass Kits

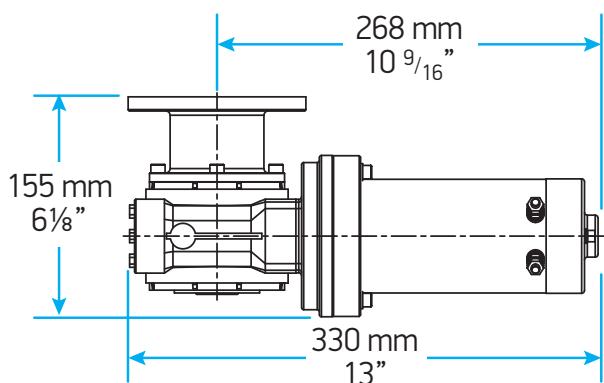
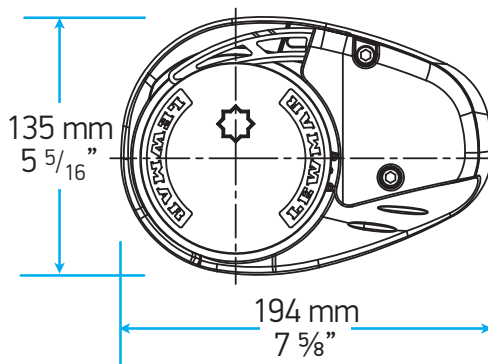
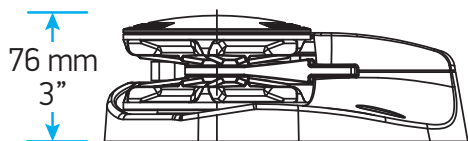
PART NUMBER	DESCRIPTION
66910422	500W 6mm-7mm-1/4" with Chain Counter Sensor
66910423	500W 6mm-7mm-1/4" no Sensor
66910424	500W 8mm-5/16" with Chain Counter Sensor
66910425	500W 8mm-5/16" no sensor
66910426	700W 6mm-7mm-1/4" with Chain Counter Sensor
66910427	700W 6mm-7mm-1/4" no sensor
66910428	700W 8mm-5/16" with Chain Counter Sensor
66910429	700W 8mm-5/16" no sensor

Basic windlass kit includes Deck unit, Motor gearbox, Solenoid and Gypsy

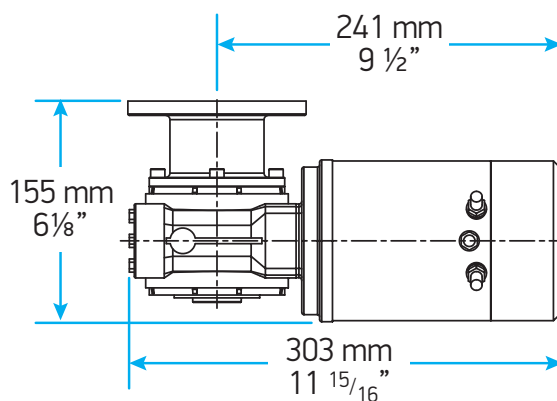
CPX0 Extended Windlass Kits

PART NUMBER	DESCRIPTION
66910437	500W 6mm-7mm-1/4" with Chain Counter Sensor and switch kit
66910438	500W 8mm-5/16" with Chain Counter Sensor and switch kit
66910439	700W 6mm-7mm-1/4" with Chain Counter Sensor and switch kit
66910440	700W 8mm-5/16" with Chain Counter Sensor and switch kit

Extended windlass kit includes Deck unit, Motor gearbox, Solenoid, Gypsy, Rocker switch and circuit breaker



500W Motor



700W Motor

