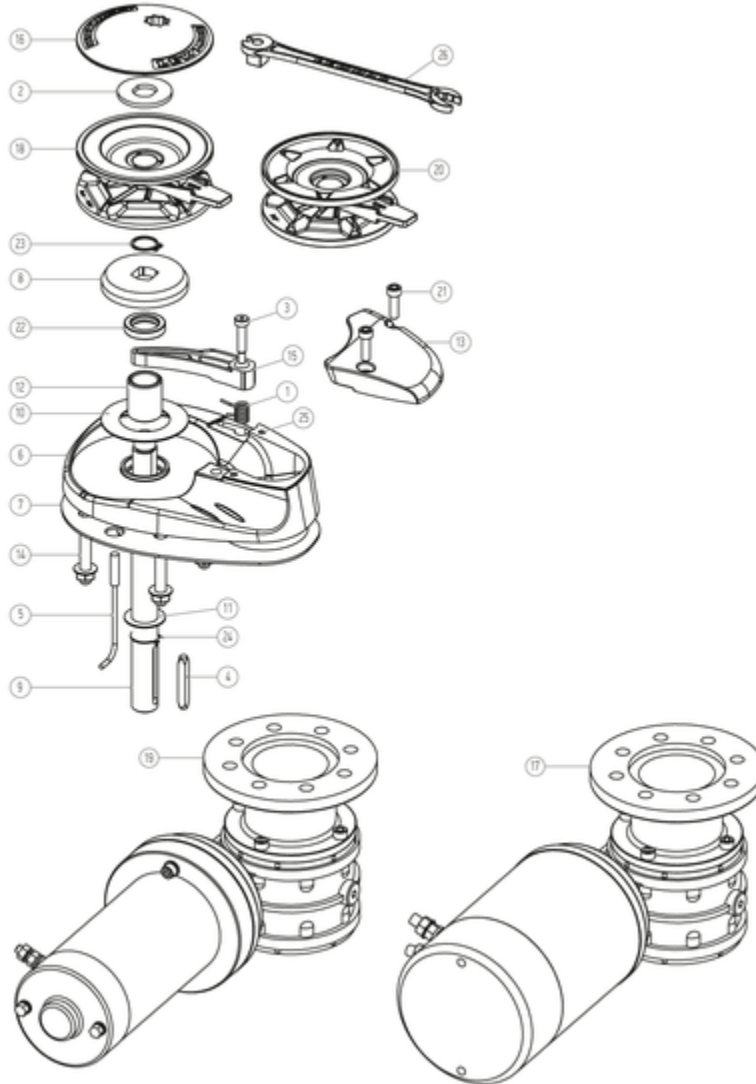


LEWMAR®

CPX0 Windlass
Exploded view



Product Description

Range of spare parts for Lewmar's CPX0 windlass

Part Number	Description	Items Included (Qty)
66000770	Base kit	6(1), 12(1), 22(1), 25(2)
66000771	Chain cover kit	13(1), 21(2)
66000601	Gypsy Cap Kit	2(1), 16(1)



66000772	Cone and washer kit	2(1), 8(1), 10(1)
66000600	Control arm kit	1(1), 3(1), 15(1)
66000773	Mounting kit	7(1),14(1)
66000774	Driveshaft kit	4(1), 9(1), 11(1), 23(1), 24(1)
68001123	8mm - 5/16" Gypsy and stripper kit	18(1)
68001126	6mm -7mm -1/4" Gypsy and stripper kit	20(1)
68001125	12V, 500W MGB and contactor	19(1)
68001042	12V, 700W MGB and contactor	17(1)
65001206	Clutch lever	26 (1)