



5. Winches

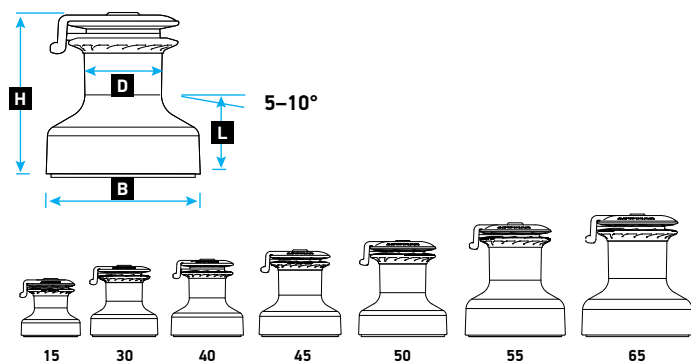
EVO® Self-Tailing Winches

An evolution of the renowned Lewmar Ocean winch, the EVO® Self-Tailing Winch draws on a wealth of design and manufacturing experience to produce a state-of-the-art winch. With a wide choice of sizes and styles, there is a versatile EVO® for any style or application.

- Easy Servicing
– no tools required
- User friendly
direction arrows
- Choice of three finishes.
- Convertible (40 and above)
to electric
- Available in Size 15
to Size 80
- 7-year warranty



Dimensions Diagram EVO® Self-Tailing Winch



EVO® Self-Tailing Winch Specifications

PART NO	MODEL	FINISH	GEAR RATIO		POWER RATIO		WLL		WEIGHT		D DRUM DIA		B BASE DIA		H HEIGHT		L LINE ENTRY		LINE SIZE	
			1st	2nd	1st	2nd	kg	lb	kg	lb	mm	in	mm	in	mm	in	mm	in	mm	in
49515055	15ST	Alloy Black	2:1	-	15.8:1	-	570	1257	2.6	5.7	66.8	2 ⁵ / ₈	121	4 ³ / ₄	119	4 ¹¹ / ₁₆	58	2 ⁵ / ₁₆	8-12	5/16-1/2
49515057	15ST	Alloy Grey	2:1	-	15.8:1	-	570	1257	2.6	5.7	66.8	2 ⁵ / ₈	121	4 ³ / ₄	119	4 ¹¹ / ₁₆	58	2 ⁵ / ₁₆	8-12	5/16-1/2
49515056	15ST	Chrome Bronze	2:1	-	15.8:1	-	570	1257	2.9	6.6	66.8	2 ⁵ / ₈	121	4 ³ / ₄	119	4 ¹¹ / ₁₆	58	2 ⁵ / ₁₆	8-12	5/16-1/2
49530055	30ST	Alloy Black	2:1	4.2:1	13.8:1	29.2:1	685	1510	4	8.8	74	2 ¹⁵ / ₁₆	138	5 ⁷ / ₁₆	145.85	5 ³ / ₄	69	2 ¹¹ / ₁₆	8-12	5/16-1/2
49530057	30ST	Alloy Grey	2:1	4.2:1	13.8:1	29.2:1	685	1510	4	8.8	74	2 ¹⁵ / ₁₆	138	5 ⁷ / ₁₆	145.85	5 ³ / ₄	69	2 ¹¹ / ₁₆	8-12	5/16-1/2
49530056	30ST	Chrome Bronze	2:1	4.2:1	13.8:1	29.2:1	685	1510	5.4	11.9	74	2 ¹⁵ / ₁₆	138	5 ⁷ / ₁₆	145.85	5 ³ / ₄	69	2 ¹¹ / ₁₆	8-12	5/16-1/2
49540055	40ST	Alloy Black	1.9:1	5.8:1	13.2:1	40.2:1	795	1753	4.9	10.7	74	2 ¹⁵ / ₁₆	148	5 ¹³ / ₁₆	158.5	6 ¹ / ₄	79	3 ¹ / ₈	8-12	5/16-1/2
49540057	40ST	Alloy Grey	1.9:1	5.8:1	13.2:1	40.2:1	795	1753	4.9	10.7	74	2 ¹⁵ / ₁₆	148	5 ¹³ / ₁₆	158.5	6 ¹ / ₄	79	3 ¹ / ₈	8-12	5/16-1/2
49540056	40ST	Chrome Bronze	1.9:1	5.8:1	13.2:1	40.2:1	795	1753	6.5	14.3	74	2 ¹⁵ / ₁₆	148	5 ¹³ / ₁₆	158.5	6 ¹ / ₄	79	3 ¹ / ₈	8-12	5/16-1/2
49545055	45ST	Alloy Black	2.4:1	7.6:1	13.9:1	44.8:1	1200	2646	7.1	15.6	87	3 ⁷ / ₁₆	168	6 ⁵ / ₈	177.7	7	84	3 ⁵ / ₁₆	8-14	5/16-9/16
49545057	45ST	Alloy Grey	2.4:1	7.6:1	13.9:1	44.8:1	1200	2646	7.1	15.6	87	3 ⁷ / ₁₆	168	6 ⁵ / ₈	177.7	7	84	3 ⁵ / ₁₆	8-14	5/16-9/16
49545056	45ST	Chrome Bronze	2.4:1	7.6:1	13.9:1	44.8:1	1200	2646	9.7	21.3	87	3 ⁷ / ₁₆	168	6 ⁵ / ₈	177.7	7	84	3 ⁵ / ₁₆	8-14	5/16-9/16
49550055	50ST	Alloy Black	2.6:1	9:1	13.9:1	48.6:1	1250	2756	9	19.8	93	3 ⁵ / ₈	181	7 ¹ / ₈	197	7 ³ / ₄	90	3 ¹ / ₂	8-14	5/16-9/16
49550057	50ST	Alloy Grey	2.6:1	9:1	13.9:1	48.6:1	1250	2756	9	19.8	93	3 ⁵ / ₈	181	7 ¹ / ₈	197	7 ³ / ₄	90	3 ¹ / ₂	8-14	5/16-9/16
49550056	50ST	Chrome Bronze	2.6:1	9:1	13.9:1	48.6:1	1250	2756	12.3	27	93	3 ⁵ / ₈	181	7 ¹ / ₈	197	7 ³ / ₄	90	3 ¹ / ₂	8-14	5/16-9/16
49555055	55ST	Alloy Black	2.8:1	11.2:1	13.8:1	54:1	1480	3263	12.2	26.9	105	4 ¹ / ₈	205	8 ¹ / ₁₆	233	9 ¹¹ / ₃₂	115	4 ¹ / ₂	8-16	5/16-5/8
49555057	55ST	Alloy Grey	2.8:1	11.2:1	13.8:1	54:1	1480	3263	12.2	26.9	105	4 ¹ / ₈	205	8 ¹ / ₁₆	233	9 ¹¹ / ₃₂	115	4 ¹ / ₂	8-16	5/16-5/8
49555056	55ST	Chrome Bronze	2.8:1	11.2:1	13.8:1	54:1	1480	3263	18	39.6	105	4 ¹ / ₈	205	8 ¹ / ₁₆	233	9 ¹¹ / ₃₂	115	4 ¹ / ₂	8-16	5/16-5/8
49565055	65ST	Alloy Black	3.1:1	14.8:1	13.4:1	64:1	1700	3748	16.6	36.5	118	4 ⁵ / ₈	228	9	251	9 ⁷ / ₈	119	4 ¹¹ / ₁₆	8-18	5/16-1 ¹ / ₁₆
49565057	65ST	Alloy Grey	3.1:1	14.8:1	13.4:1	64:1	1700	3748	16.6	36.5	118	4 ⁵ / ₈	228	9	251	9 ⁷ / ₈	119	4 ¹¹ / ₁₆	8-18	5/16-1 ¹ / ₁₆
49565056	65ST	Chrome Bronze	3.1:1	14.8:1	13.4:1	64:1	1700	3748	23.8	52.4	118	4 ⁵ / ₈	228	9	251	9 ⁷ / ₈	119	4 ¹¹ / ₁₆	8-18	5/16-1 ¹ / ₁₆