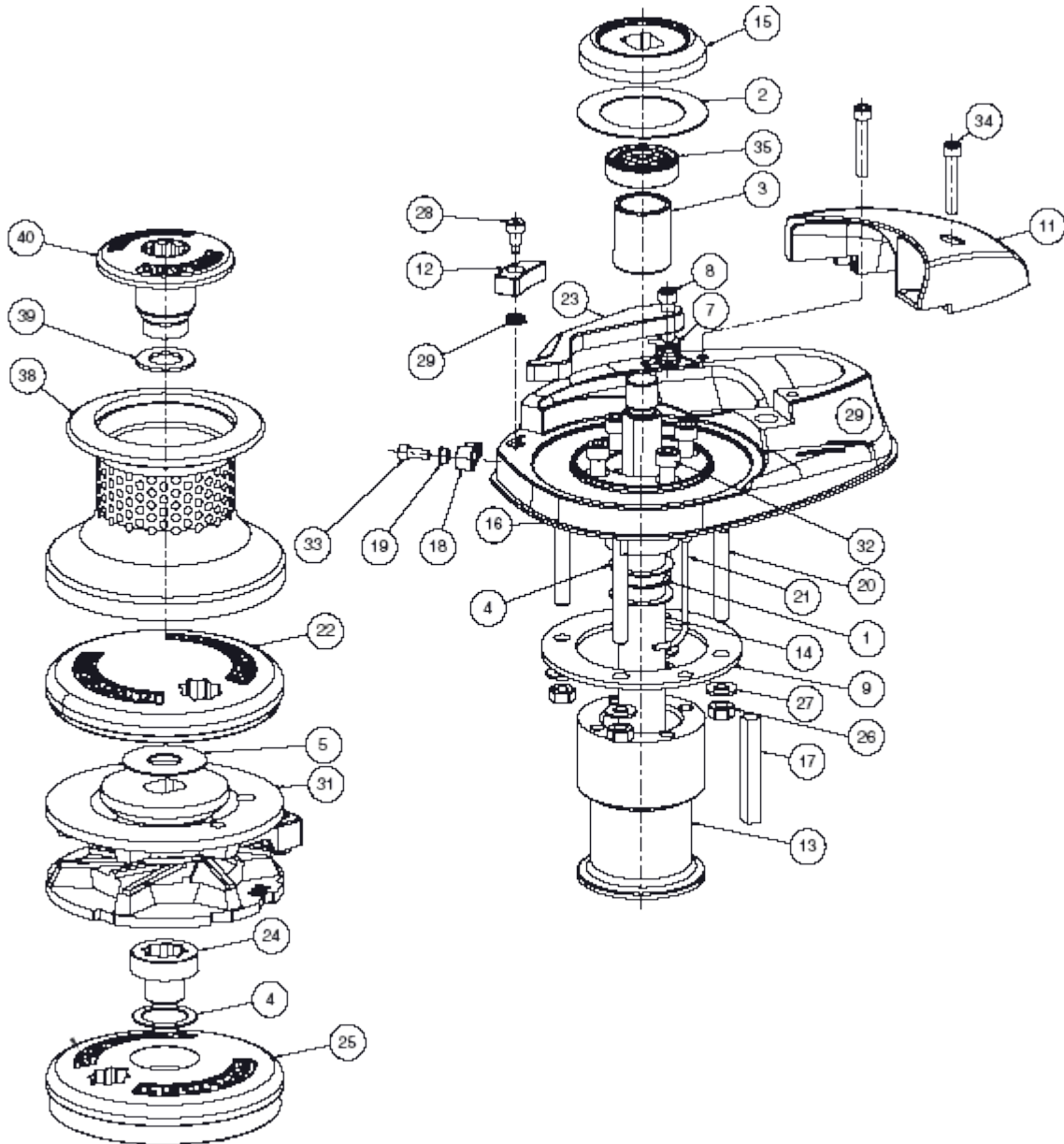


V2 & V3 Windlass Parts

Please note that all windlass parts are special order products.

Windlass Parts are Not Returnable!



Product Description

Range of spare parts for Lewmar's V2/V3 windlass

Part Number	Description	Items Included (Qty)
66000060	Cap Kit	22(1), 5(1)
66000624	V1/2/3 Base	3(1), 10(1), 35(1)
66000625	Chain Pipe Cover	11(1), 34(2)
66000626	Fastener Kit	1(1), 2(1), 4(3), 5(1), 6(1), 8(1), 17(1), 28(1), 33(1), 34(2)
66000641	Drive Kit V2/3 Gypsy Only	1(1), 2(1), 3(1), 4(3), 5(1), 14(1), 15(2), 17(1), 35(1)
66000627	Drive Kit	1(1), 2(1), 3(1), 4(3), 5(1), 14(1), 15(2), 17(1), 35(1)
66000628	Manual Recovery Pawl Kit (Fall Safe)	12(1), 18(1), 19(1), 28(1), 29(1), 33(1)
66000640	Drum Kit V2/3 Fast Fit	38(1), 39(1), 40(1)
66000065	Drum Top Nut	39(1), 40(1)
66000642	Drive Kit V2/3 Gypsy Drum	1(1), 2(1), 3(1), 4(3), 5(1), 14(1), 15(2), 17(1), 35(1)
66000631	Mounting Kit (Metric)	9(1), 16(1), 20(1), 26(4), 27(4)
66000632	Fast Fit Assembly	36(1), 37(1)
66000633	Deck Spacer Kit	13(1), 32(4)
66200076	Sensor & Magnet Kit	21(1), Magnet(1)
66810030	Control Arm Kit	7(1), 8(1), 23(1)
66840054	Manual Recovery Kit	4(1), 24(1), 25(1)
68000840	V Range Gypsy & Stripper Kit (006)	31(1), Magnet(1)
68000360	V Range Gypsy & Stripper Kit (000)	31(1), Magnet(1)



68000361	V Range Gypsy & Stripper Kit (001)	31(1), Magnet(1)
68000362	V Range Gypsy & Stripper Kit (002)	31(1), Magnet(1)
68000363	V Range Gypsy & Stripper Kit (003)	31(1), Magnet(1)
68000813	12V V2 Fast-Fit Motor Gearbox Assembly	30(1), 36(1), 37(1)
68000814	24V V2 Fast-Fit Motor Gearbox Assembly	30(1), 36(1), 37(1)
68000815	12V V3 Fast-Fit Motor Gearbox Assembly	30(1), 36(1), 37(1)
68000816	24V V3 Fast-Fit Motor Gearbox Assembly	30(1), 36(1), 37(1)
68000817	12V V2 Motor Override Motor Gearbox Assembly	30(1), 36(1), 37(1)
68000818	24V V2 Motor Override Motor Gearbox Assembly	30(1), 36(1), 37(1)
68000819	12V V3 Motor Override Motor Gearbox Assembly	30(1), 36(1), 37(1)
68000820	24V V3 Motor Override Motor Gearbox Assembly	30(1), 36(1), 37(1)
66840056	V2/3 Gypsy/Drum Manual Recovery Kit	