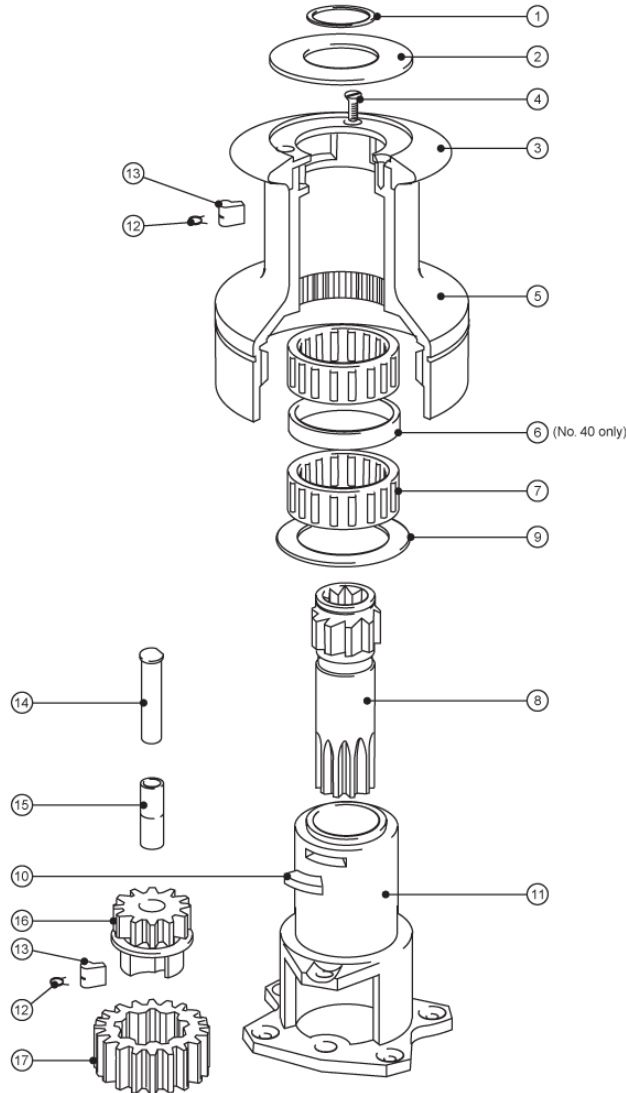


Standard Winch Size 30 Spares



Item #	Description	Qty	Part Number
1-12-13-10	Circlip, Pawl springs, Pawls, Key	1	19700100
2	Top Cap	1	45001500
3	Crown	1	45001509
4	M5 x 12mm screw	3	15000527
5	Drum - Alloy Finish	1	45001514
5	Drum - Chrome Finish	1	15000448
7	Roller bearing assembly	2	15008007



8	Main spindle	1	15000830
9	Drum washer	1	15000466
11	Centre Stem	1	18000532
12-13	Pawls & Pawl Springs (Part of Kit)	4	19700501
14	Gear spindle	1	15000385
15	Gear spindle sleeve	2	15000378
16	Pawl Gear	1	15000470
17	Ratchet Gear	1	15000469