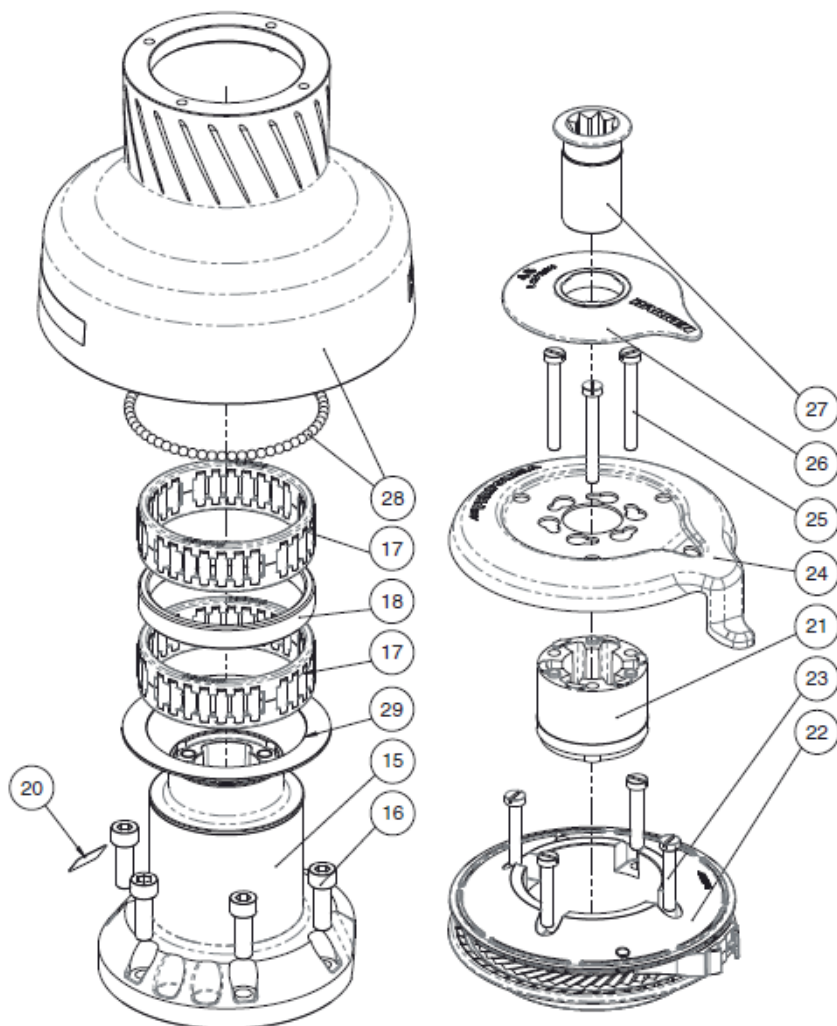
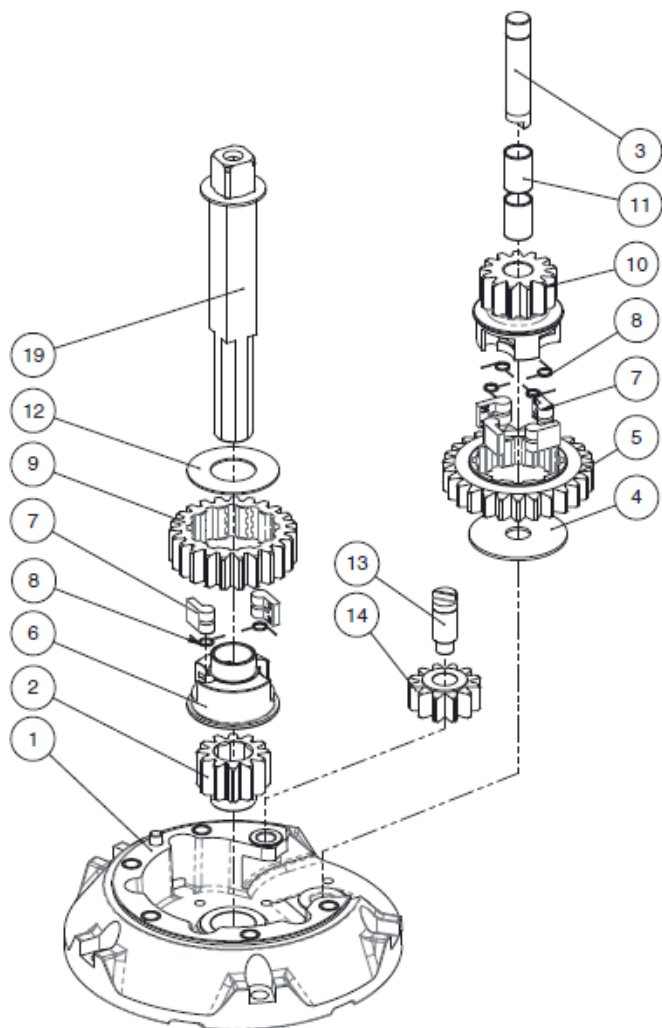
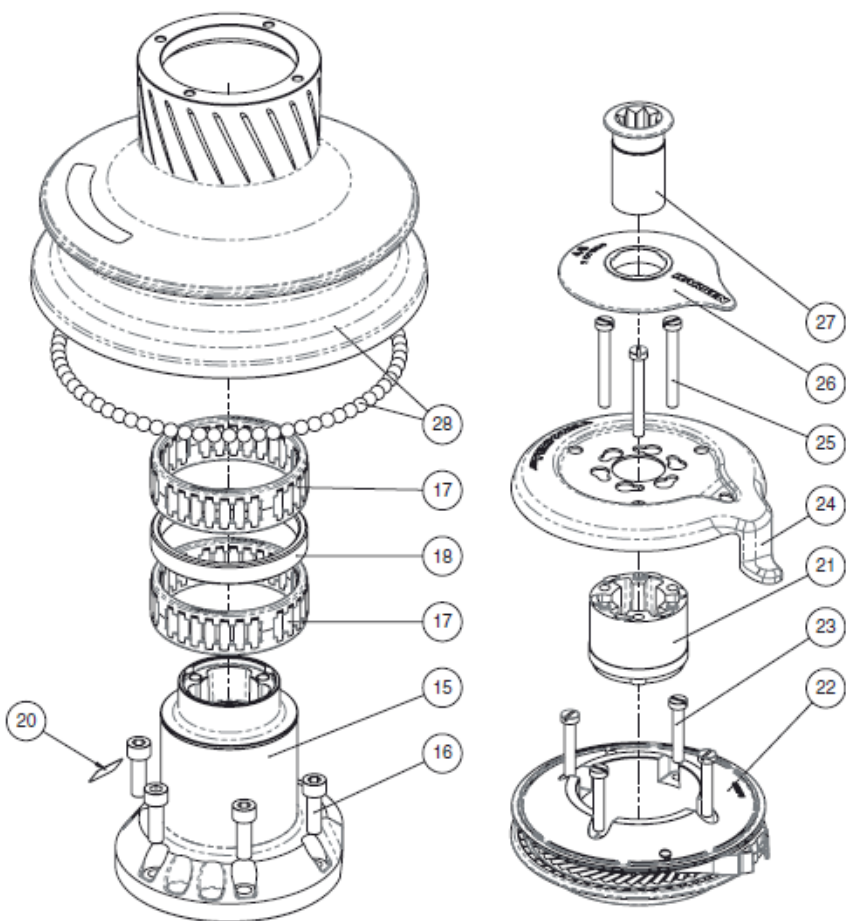
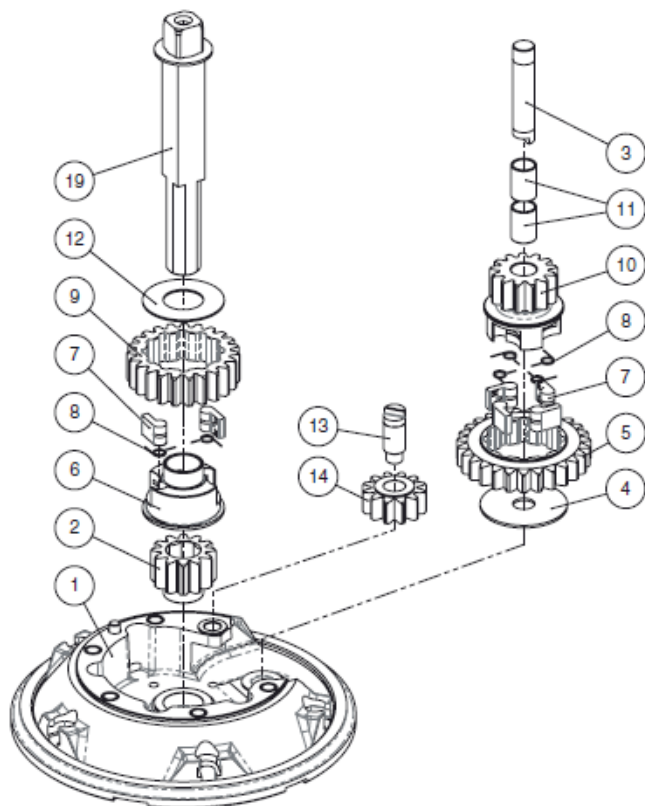


Performa Winch 40.2 STP

Performa Winch 40.2 STP

Performa Winch 40.2 STOP

Performa Winch 40.2 STQP

Perfoma Winch 46.2 STP

Pos	Q.ty	Code	Description	Pos	Q.ty	Code	Description
1	1	A96633300	PERFORMA Assy Base Winch 46	17	2	A74133700	Bearing Ø75xØ87x26
			PERFORMA Base W46	18	1	S413390080	Spacer
	1	S413350080	Hel-coil MØx10	19	1	A94161400	Assy Central Shaft Winch 46
	1	S4152300A7	Roller Ø6x19				Central shaft W46 ST
	1	S414890080	Bushing Ø22xØ25x5.5	1	1	S413880002	Washer Ø17.2xØ32x1.5
	1	S413330085	Bushing Ø9xØ11x7	20			Winch Serial Number Sticker
			Bushing Ø12xØ14x11	21	1	S4129400A0	Stripper arm support
2	1	S413020004	Gear Z12	22	1	A96589500	Perfoma Assy Jaws W46
3	1	S413300004	Pin Ø12x60				Lower Jaw W46
4	1	S278170002	Washer Ø12.5xØ48x1.5				Perfoma Upper jaw W46
5	1	S413260004	Gear Z27	1	1	S414280080	Peeler W46 - 50
6	1	S414260004	Pawls Carrier Ø8xN2	4	4	S385970001	SPRING
7	6	S000090004	Pawl Ø8*	23	4	M0901803	Screw UNI EN ISO 1207:1996 - MØx35 - A4
8	6	S000380001	Pawl Spring Ø8*	24	1	S657390019	Perfoma Black Stripper Arm W46
9	1	S412830041	Gear Z23	25	3	M6007103	Screw MØx50 UNI6107
10	1	S413250041	Pinion Z13	26	1	S4127000A5	Cover 2 speed W46
11	2	M6017694	IGUS Bushing PSM-1214-20	27	1	A94136400	Assembly Socket W20-Ø0
12	1	S413120002	Washer Ø22.5xØ48x1				Socket Handle W20/Ø0
13	1	S413070004	Pin Ø9xØ12x32.5	1	1	S415130085	Washer Ø7.7xØ25x5.8
14	1	A94133400	Assy Gear Z12	1	1	M0614303	Screw MØx20 UNI 6109
			Gear Z12	28	1	A96572900	Perfoma W46 Drum
	2	S414900080	Bushing Ø12xØ14x8				Perfoma Drum W46
15	1	A94132200	Assy Housing Winch 46	61	1	M0619580	Ball 3/16"
			Housing Winch 46	1	1	S6572900A3	Bearing ring W46
			Hel-coil MØx9				Winch Product Sticker**
	1	S414900080	Bushing Ø12xØ14x8	29	1	S657300052	Perfoma Shim W46
	1	S413330085	Bushing Ø12xØ14x11				
	1	S413320083	Bushing for support				
16	5	M0606303	Screw MØx25 UNI 5931				

*Available with service kit; see website www.harken.com

**Winch product sticker



Performa Winch 46.2 STQP

Pos	Q.ty	Code	Description	Pos	Q.ty	Code	Description
1	1	A94163700	Assembly base W46Q for thrust bearing Ring base W46 STQ Base W46 Hel-coil M6x10 Roller Ø6x19 Bushing Ø22xØ25xØ5.5 Bushing Ø9xØ11x7 Bushing Ø12xØ14x11	17	2	A741333700	Bearing Ø75xØ87x26
				18	1	S413390080	Spacer
				19	1	A94161400	Assembly Central Shaft Winch 46 Central shaft W46 ST Washer Ø17.2xØ32x1.5
					1	S413880010	Washer Ø17.2xØ32x1.5
				20			Winch Serial Number Sticker
				21	1	S412940040	Stripper arm support
2	1	S413020004	Gear Z12	22	1	A95389500	Performa Assembly Jaws W46 Lower Jaw W46 Performa Upper jaw W46 Peeeler W46 - 50 SPRING
3	1	S413300004	Pin Ø12x60		1	S414280080	
4	1	S278170002	Washer Ø12.5xØ48x1.5		4	S385970001	
5	1	S413260004	Gear Z27	23	4	M0601803	Screw UNI EN ISO 1207:1996 - M6x35 - A4
6	1	S414260004	Pawls Carrier Ø8xØ2	24	1	S657390019	Performa Black Stripper Arm W46
7	6	S000090004	Pawl Ø8*	25	3	M6007103	Screw M6x50 UNI6107
8	6	S000380001	Pawl Spring Ø8*	26	1	S412700045	Cover 2 speed W46
9	1	S412830041	Gear Z23	27	1	A94136400	Assembly Socket W20-Ø0 Socket Handle M20/Ø0
10	1	S413250041	Pinion Z13		1	S415130085	Washer Ø7.7xØ25x5.8
11	2	M6017694	Bushing Ø12xØ14x20		1	M0614303	Screw M6x20 UNI 6109
12	1	S413120002	Washer Ø22.5xØ45x1	28	1	A94163501	Assembly Performa Drum W46 Q Performa Drum W46 Q Øal 5"16"
13	1	S413070004	Pin Ø9xØ12xØ2.5		72	M0610280	Winch STQ product sticker**
14	1	A94133400	Assembly Gear Z12 Gear Z12 Bushing Ø12xØ14x8				
	2	S414900080	Bushing Ø12xØ14x8				
15	1	A94132200	Assembly Housing Winch 46 Housing Winch 46 Hel-coil M6x9 Bushing Ø12xØ14x8 Bushing Ø12xØ14x11 Bushing for support				
	1	S414900080	Bushing Ø12xØ14x8				
	1	S413330085	Bushing Ø12xØ14x11				
	1	S413320083	Bushing for support				
16	5	M0606303	Screw M6x25 UNI 9301				

*Available with service kit; see website www.harken.com

**Winch product sticker

