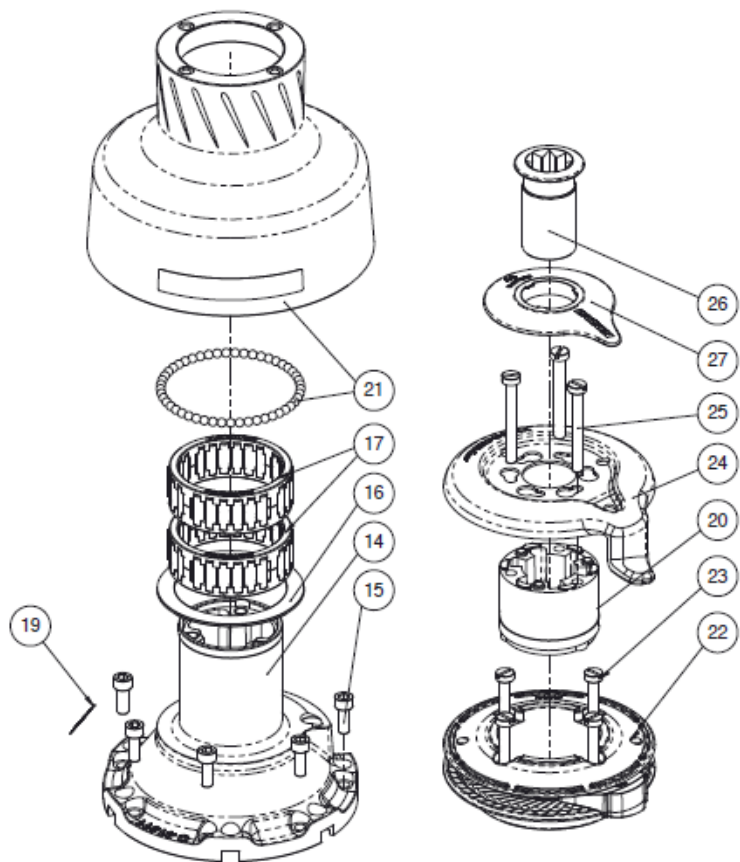
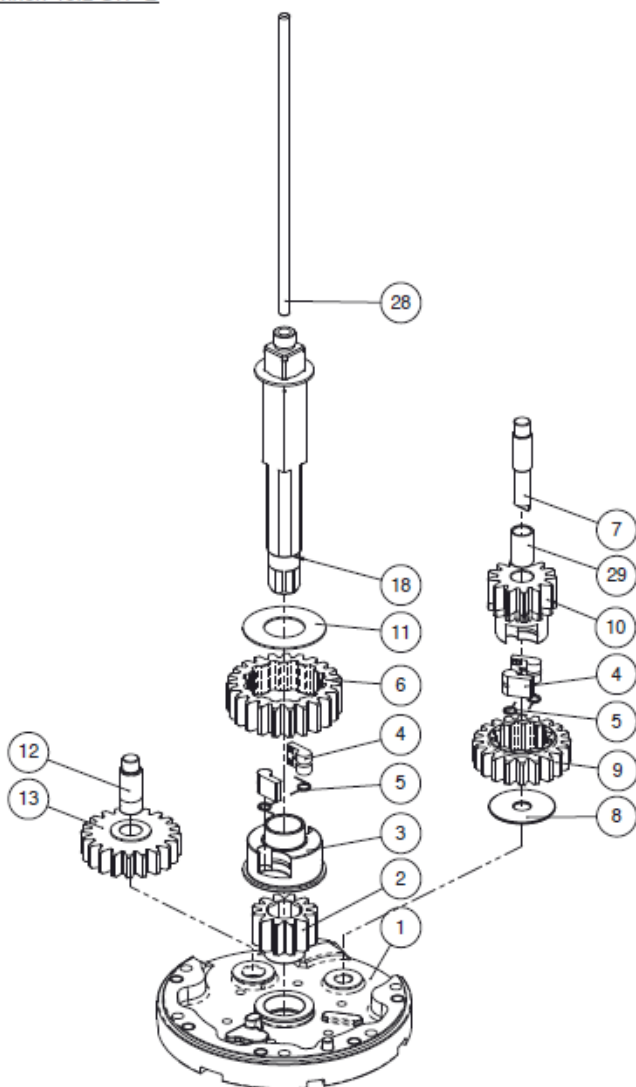
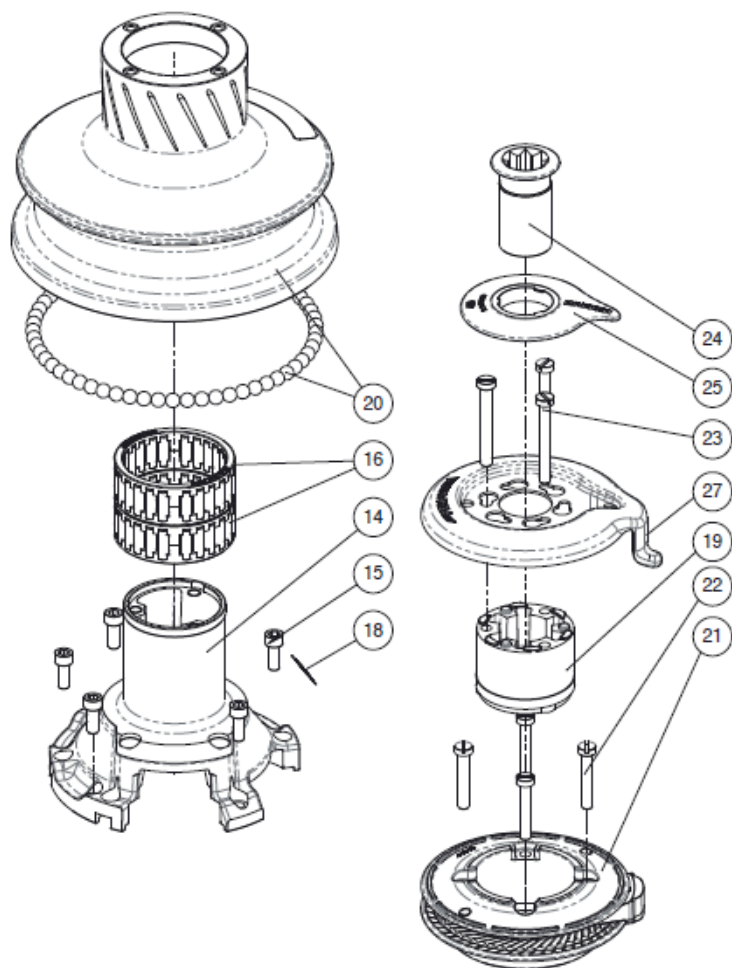
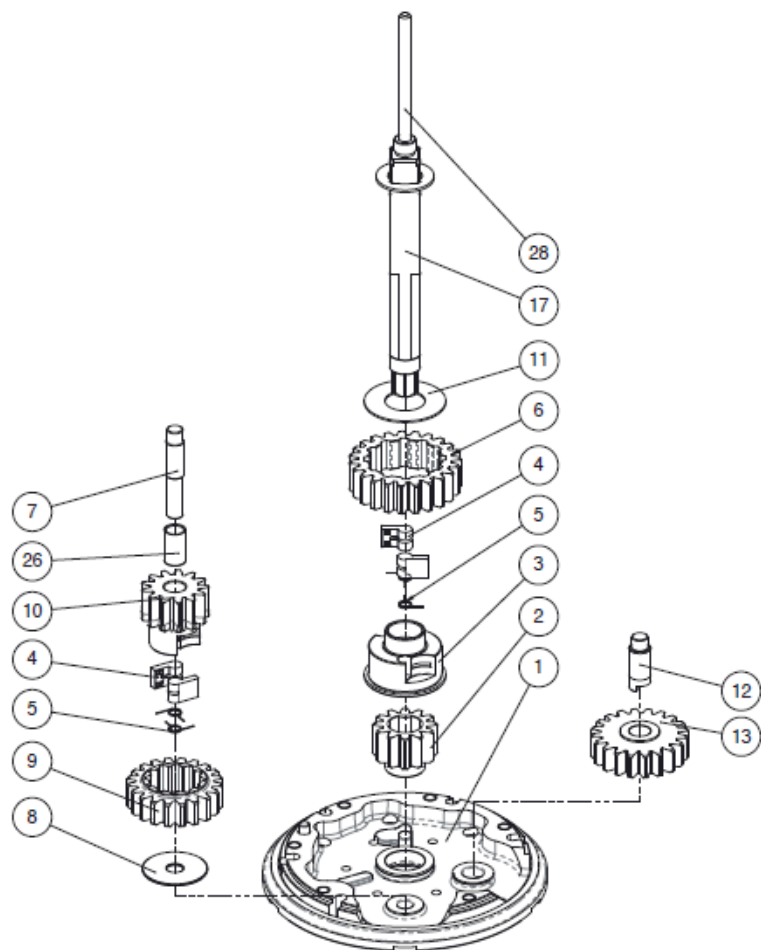


*Performa Winch 40.2 STP E*

Performa Winch 40.2 STP E

*Performa Winch 40.2 STQP E*

Performa Winch 40.2 STOP E

Performa Winch 40.2 STP E

Pos	Qty	Code	Description	Pos	Qty	Code	Description
1	1	A96633800	PERFORMA Assy Base Winch 40 EL/HY PERFORMA Base W40 Hel-coil M6x9	17	2	A74136000	Bearing Ø56xØ68x24
	1	S413350080	Roller Ø6x19	18	1	A96777100	Assy Central Shaft W40 EL/HY Central Shaft Prod. W40
	1	S4130900A7	Bushing Ø22xØ25xØ.5		1	S413880002	Washer Ø17.2xØ32x1.5
	1	S413960085	Bushing Ø9xØ11x12	19			Winch Serial Number Sticker
	1	S413330085	Bushing Ø12xØ14x11	20	1	S4129400A0	Stripper arm support
2	1	S413020004	Gear Z12	21	1	A96572600	Performa Drum W40 Performa Drum W40 Winch Product Sticker**
3	1	S413030004	Pawls Carrier Ø8xN2		1	S6572700A3	Bearing ring W40
4	4	S000090004	Pawl Ø8*	49		M0619580	Ball 3/16"
5	4	S000380001	Pawl Spring Ø8*	22	1	A94131800	Assy Winch 40 Jaws Lower Jaw W35/40 Upper Jaw W35/40
6	1	S412830041	Gear Z23		1	S413610080	Pinion W20 - 40
7	1	S657380004	Performa Pin Ø9x10 W40		4	S385970001	SPRING
8	1	S279090002	Washer Ø36xØ9,5x1	23	4	M0601803	Screw UNI EN ISO 1207:1.996 - M6x35 - A4
9	1	S412970004	Gear Z20	24	1	S657360019	Performa Black Stripper Arm W40
10	1	S657370041	Performa Pinion Z13 W40	25	3	M9007103	Screw M6x50 UNI6107
11	1	S413120002	Washer Ø22.5xØ45x1	26	1	A94149300	Assy Socket W35-Ø0 EL/HY Socket Handle W20/Ø0 Washer Ø25xØ1.5xØ Nut Screw for Disconnect Rod O-ring RC 2025 series
12	1	S413070004	Pin Ø9xØ12xØ2.5	27	1	S4141900A5	Cover 2 speed W40
13	1	A94130500	Assy Gear Z20 Gear Z20	28	1	S415060002	Disconnect Rod W40
	2	S414900080	Bushing Ø12xØ14x8	29	1	M603370094	Bushing XSM-1012-20
14	1	A94141500	Assy Housing Winch 40 Support W40 Hel-coil M6x9		1	S414940085	
	2	S414890080	Bushing Ø9xØ11x7		1	S414930003	
	1	S4130900A7	Bushing Ø22xØ25xØ.5		1	M0679797	
15	6	M0635103	Socket head screw M6x16 UNI 5931				
16	1	S657280052	Performa Shim W40				

\*Available with service kit; see website [www.harken.com](http://www.harken.com)

\*\*Winch product sticker



## Performa Winch 40.2 STQP E

Pos	Qty	Code	Description	Pos	Qty	Code	Description
1	1	A97018900	Assembly base Winch 40 OP EL/HY with thrust bearing Ring base W40 STQ Base W40 Hel-coil M6x9 Roller Ø6x19	17	1	A96777100	Assembly Central Shaft W40 EL/HY Central Shaft Prod. W40 Washer Ø17.2xØ12x1.5
1	1	S413350080	Roller Ø6x19	1	1	S413880002	Winch Serial Number Sticker
1	1	S413090047	Bushing Ø2.2xØ25xØ.5	18			Winch Serial Number Sticker
1	1	S413960085	Bushing Ø8xØ11x12	19	1	S4129400A0	Stripper arm support
1	1	S413300085	Bushing Ø12xØ14x11	20	1	A94163201	Performa Drum Assembly W40 Q Performa Drum W40 Q Ball 5/16" Winch STQ product sticker**
2	1	S413020004	Gear Z12	61		M0610280	Winch STQ product sticker**
3	1	S413030004	Pawls Carrier Ø8xW2	21	1	A94131800	Assy Winch 40 Jaws Lower Jaw W35/40 Upper Jaw W35/40 Pawls W20 - 40 SPRING
4	4	S000090004	Pawl Ø6*	1	1	S413610080	
5	4	S000380001	Pawl Spring Ø8*	4	4	S385970001	
6	1	S412830041	Gear Z23	22	4	M0601803	Screw UNI EN ISO 1207:1996 - M6x25 - A4
7	1	S657380004	Performa Pin Ø9x10	23	3	M6007103	Screw M6x50 UNI 6107
8	1	S279090002	Washer Ø36xØ9.5x1	24	1	A941493000	Assembly Socket W35-Ø0 EL/HY Socket Handle W20/Ø0 Washer Ø2.5xØ1.5x4 Nut Screw for Disconnect Rod O ring RC 2025 series
9	1	S412970004	Gear Z20	25	1	S414940085	Cover 2 speed W40
10	1	S657370041	Performa Pinion Z13 W40	26	1	M6033794	Bushing XSM-1 012-20
11	1	S413120002	Washer Ø2.2.5xØ45x1	27	1	S857360019	Performa Black Stripper Arm W40
12	1	S413070004	Pin Ø9xØ12xØ2.5	28	1	S415060002	Disconnect Rod W40
13	1	A94130500	Assy Gear Z20 Gear Z20				
2	2	S414900080	Bushing Ø12xØ14x8				
14	1	A94141500	Assy Housing Winch 40 Support W40 Hel-coil M6x9 Roller Ø6x19 Bushing Ø8xØ11x7 Bushing Ø2.2xØ25xØ.5				
2	2	S414900080	Bushing Ø8xØ11x7				
1	1	S413090047	Bushing Ø2.2xØ25xØ.5				
15	6	M0635103	Socket head screw M6x16 UNI 5931				
16	2	A74136000	Bearing Ø56xØ68x24				

\*Available with service kit; see website [www.harken.com](http://www.harken.com)

\*\*Winch product sticker

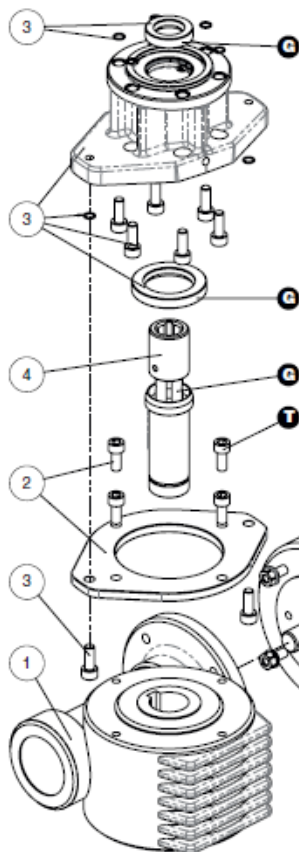


**Horizontal electric motor**
**TOP VIEW**


\* Motor installed in right-hand configuration.



\*\* Motor installed in left-hand configuration.



Pos	Qty	Code	Description
1	1	A93127900	KIT Gear Reduction 1/24
1	1	A94194900	KIT LM Gear Reduction 1/24
2	1	A94149200	KIT Assy Electric Motor Flange
1	1	A94149200L	KIT Assy Electric Motor Flange Left
4		M0606803	Electric Motor Flange Screw M6x14 UNI 5931
3	1	A94149500	KIT EL HO Motor Flange
8		S415360003	Horizontal Motorgear Flange Screw M6x16 UNI EN ISO 5931:2003 precoat coating
8		M601560097	O-Ring Seal ORM 0055-10 (Ø5,5 x Ø1)
1		M6007297	Lip seal Ø17xØ30x7
1		M0612097	Sealer Ø30xØ47x7
4	1	A94161600	KIT EL HO Motor Clutch
			Shaft Motorgear HO
			Shaft GearMotor HO
			Hub GearMotor
1		M0601402	Dowel UNI EN ISO 8752:2000- Ø4x24
1		M6020097	O-ring 19.1x1.6
1		S418620001	Disconnect spring
1		S414050080	Flange GearMotor Shaft HO
1		M6010303	Key 8x5x40 UNI 7511
5	1	A96015400	KIT EL Motor 12V 0,7KW
1	1	A96015700	KIT EL Motor 24V 0,9KW
			Electric Motor
			Polarity motor sticker
			Screw stud M6x26
			Washer Ø6
			Nut M6 UNI5588
1		M6014206	Key DIN 6885 5x5x15

Polarity motor sticker

Identification motor sticker

- A** Anti-seize
- G** Harken® Grease
- T** Axial Threadlocker