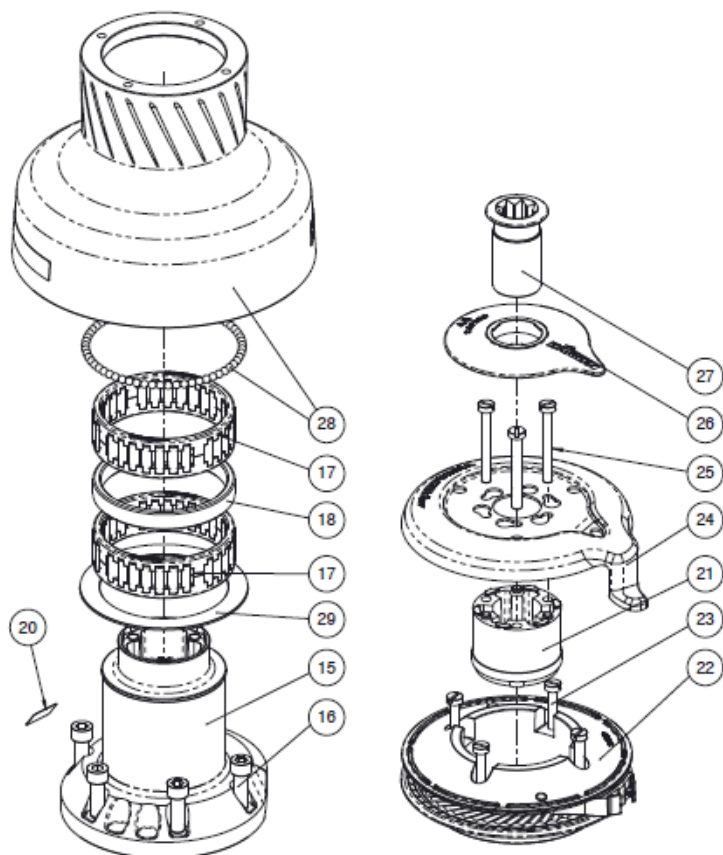
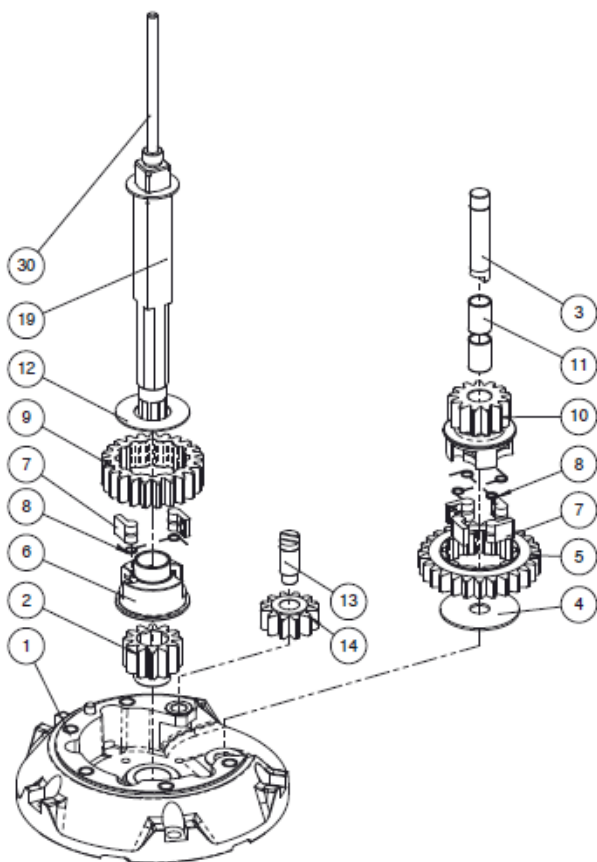
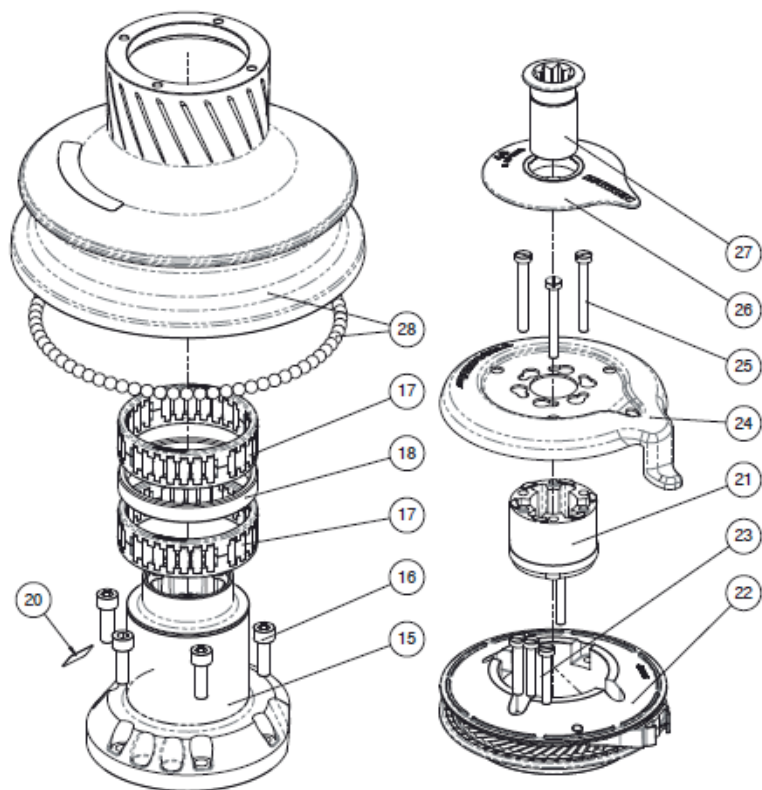
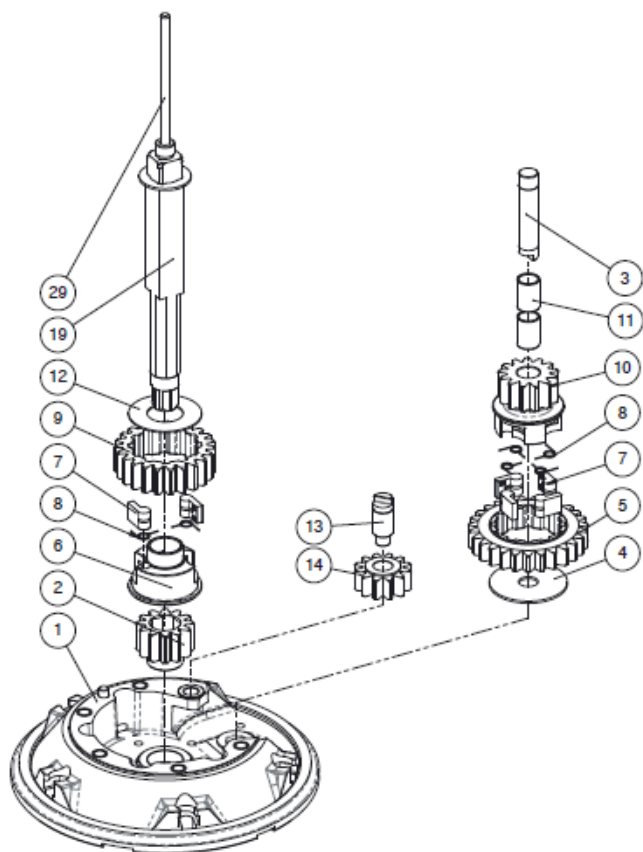


*Performa Winch 46.2 STP E/HY*

Perfoma Winch 46.2 STP E/HY

Performa Winch 46.2 STQP E/HY

Performa Winch 46.2 STQP E/HY

## Performa Winch 46.2 STP E/HY

Pos	Qty	Code	Description	Pos	Qty	Code	Description
1	1	A96633900	PERFORMA Assy Base Winch 46 EL/HY	17	2	A74133700	Bearing Ø17xØ17x26
			PERFORMA Base W46	18	1	S41339000	Spacer
	1	S41336000	Half-coil MØ10	19	1	A96777000	Assy Central Shaft W46 EL/HY
	1	S4130900A7	Roller Ø6x19				Central Shaft W46 EL/HY
	1	S41489000	Bushing Ø22xØ25xL5		1	S413890002	Washer Ø17.2xØ22x1.5
	1	S41333000B5	Bushing Ø12xØ14x1	20	1		Winch Serial Number Sticker
2	1	S413200004	Gear Z12	21	1	S4129400A0	Stripper arm support
3	1	S413300004	Pin Ø12x60	22	1	A96689500	Performa Assy Jaws W46
4	1	S278170002	Washer Ø12.5xØ49x1.5				Lower Jaw W46
5	1	S413260004	Gear Z27		1	S414290000	Performa Upper jaw W46
6	1	S414260004	Pauls Carrier Ø16x12	4		S316970001	Feeder W46 - 50
7	6	S000090004	Paul Ø8*				SPRING
8	6	S000380001	Paul Spring Ø8*	23	4	M0601800	Screw UNI EN ISO 1207:1996 - M6x35 - A4
9	1	S412830041	Pin Ø23	24	1	S657390019	Performa Black Stripper Arm W46
10	1	S413250041	Pinion Z13	25	3	M6007100	Screw M6x50 UNI6107
11	2	M6017694	IGUS Bushing PSM-1214-20	26	1	S4127000A5	Cover 2 speed W46
12	1	S413120002	Washer Ø22.5xØ45x1	27	1	A94149300	Assy Socket W35-Ø0 EL/HY
13	1	S413070004	Pin Ø9xØ12x32.5		1	S414940005	Socket Handle W2000
14	1	A94133400	Assy Gear Z12		1	S414930000	Washer Ø25xØ15x1
	2	S414900000	Gear Z12		1	M0679797	Nut Screw for Disconnect Rod Ø ring RC 2025 series
			Bushing Ø12xØ14x1	28	1	A96672900	Performa W46 Drum
15	1	A94132200	Assy Hoisting Winch 46		61	M0619500	Performa Drum W46
			Hoisting Winch 46		1	S6572900A3	Øal 3/16"
			Half-coil MØ9				Bearing ring W46
	1	S414900000	Bushing Ø12xØ14x1				Winch Product Sticker**
	1	S41333000B5	Bushing Ø12xØ14x1	29	1	S657300052	Performa Shim W46
	1	S41332000B3	Bushing for support	30	1	S416110002	Disconnect Rod W46
16	5	M0606300	Screw M6x25 UNI 5931				

\*Available with service kit; see website [www.harken.com](http://www.harken.com)

\*\*Winch product sticker



## Performa Winch 46.2 STQP E/HY

Pos	Qty	Code	Description	Pos	Qty	Code	Description
1	1	A94163700	Assy base W46Q for thrust bearing Ring base W46 S70 Assy Base Winch 46 EL/HY Base W46	17	2	A74133700	Bearing Ø75xØ87x25
	1	S413350080	Roller Ø6x19	18	1	S413380080	Spacer
	1	S413090147	Bushing Ø22xØ25xØ.5	19	1	A94161000	Assy Central Shaft W46 EL/HY Central Shaft W46 EL/HY
	1	S414800080	Bushing Ø9xØ11x7		1	S413890002	Washer Ø17.2xØ2x1.5
	1	S413300085	Bushing Ø12xØ14x11	20			Winch Serial Number Sticker
2	1	S413020004	Gear Z12	21	1	S41294001A0	Stripper arm support
3	1	S413300004	Pin Ø12x60	22	1	A96589500	Performa Assy Jaws W46 Lower Jaw W46
4	1	S278170002	Washer Ø1.25xØ4x1.5		1	S414290080	Performa Upper jaw W46
5	1	S413260004	Gear Z27		4	S385870001	Feeder W46 - 50 SPRING
6	1	S414260004	Pauls Carrier Ø8xØ2	23	4	M06018103	Screw UNI EN ISO 1207:1996 - M6x25 - A4
7	6	S001060004	Paul Ø8*	24	1	S657390019	Performa Black Stripper Arm W46
8	6	S001030001	Paul Spring Ø8*	25	3	M6007103	Screw M6x50 UNI6107
9	1	S412630041	Gear Z23	26	1	S4127000A5	Cover 2 speed W46
10	1	S413250041	Pinion Z13	27	1	A94149300	Assembly Socket W25-Ø0 EL/HY Socket/Handle W20/Ø0
11	2	M6017694	IGUS Bushing PSM-1214-20		1	S414940085	Washer Ø25xØ15xØ
12	1	S413120002	Washer Ø22.5xØ4x1		1	S414930003	Nut Screw for Disconnect Rod
13	1	S413070004	Pin Ø9xØ12xØ2.5		1	M0679797	O ring PC 2025 series
14	1	A94133400	Assy Gear Z12 Gear Z12	28	1	A94163501	Performa Drum W46 Ø
	2	S414900080	Bushing Ø12xØ14x8		72	M06102210	Performa Drum W46 Ø
15	1	A94132200	Assy Housing Winch 46 Housing Winch 46 Hef-coil M6x9		1	S496590063	Ball 5/16"
	1	S414900080	Bushing Ø12xØ14x8		1		Winch S70 product sticker**
	1	S413300085	Bushing Ø12xØ14x11	29	1	S416110002	Disconnect Rod W46
	1	S413320083	Bushing for support				
16	5	M0606303	Screw M6x25 UNI 5931				

\*Available with service kit; see website [www.harken.com](http://www.harken.com)

\*\*Winch product sticker



## Horizontal electric motor

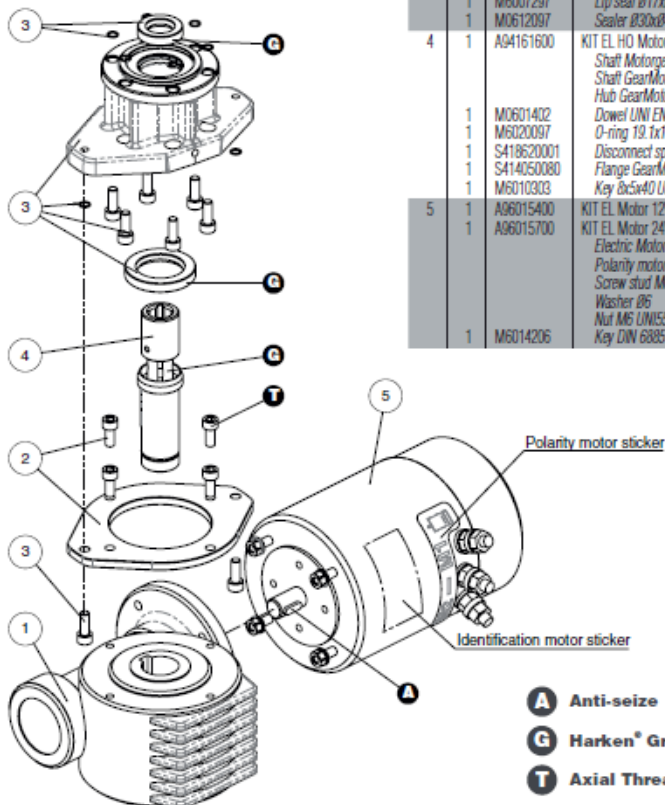
TOP VIEW



\* Motor installed in right-hand configuration.



\*\* Motor installed in left-hand configuration.



Pos	Qty	Code	Description
1	1	A93127900	KIT Gear Reduction 1/24
	1	A94194900	KIT LM Gear Reduction 1/24
2	1	A94149200	KIT Assy Electric Motor Flange
	1	A94149200L	KIT Assy Electric Motor Flange Left
3	4	M0606803	Electric Motor Flange Screw M6x14 UNI 5931
	1	A94149500	KIT EL HO Motor Flange Horizontal Motorgear Flange
	8	S415360003	Screw M6x16 UNI EN ISO 5931:2003 precoat coating
	8	M601560097	O-Ring Seal ORM 0055-10 (Ø5.5 x Ø1)
	1	M6007297	Lip seal Ø17xØ30x7
4	1	M0612097	Sealer Ø30xØ47x7
	1	A94161600	KIT EL HO Motor Clutch Shaft Motorgear HO Shaft GearMotor HO Hub GearMotor
	1	M0601402	Dowel UNI EN ISO 8752:2000- Ø4x24
	1	M6020097	O-ring 19.1x1.6
	1	S418620001	Disconnect spring
	1	S414050080	Flange GearMotor Shaft HO
	1	M6010303	Key 8x5x40 UNI 7511
5	1	A96015400	KIT EL Motor 12V 0,7kW
	1	A96015700	KIT EL Motor 24V 0,9kW Electric Motor Polarity motor sticker Screw stud M6x26 Washer Ø6 Nut M6 UNI5588 Key DIN 6885 5x5x15
1	M6014206		

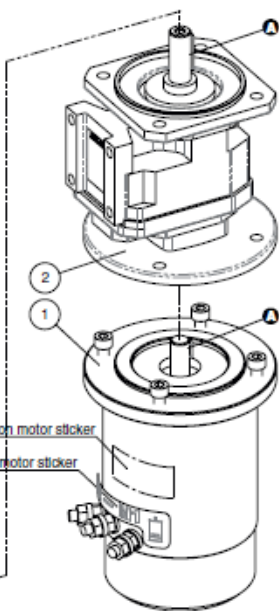
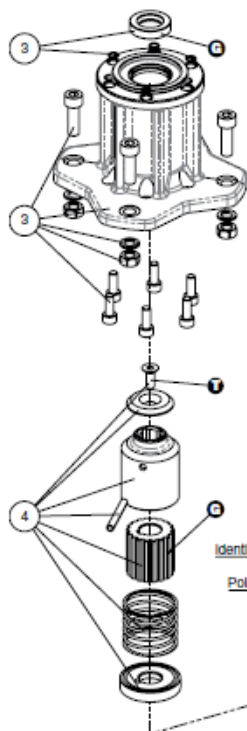
Polarity motor sticker

Identification motor sticker

- A** Anti-seize  
**G** Harken® Grease  
**T** Axial Threadlocker

**Vertical electric motor**

Pos	Qty	Code	Description	Pos	Qty	Code	Description	
1	1	A96010500	KIT EL Motor 12V 1,5kW VT	3	1	A94150500	KIT EL VT Motor Flange	
	1	A96010400	KIT EL Motor 24V 2kW VT					Vertical Motorflange
			Electric Motor Polarity motor sticker Screw M8x20 UNI5931		4	M0602903		NUT M8 - UNI 5588 - A4
1	1	M6014206	Key DIN 6885 5x5x15	4	M0603103		WASHER 8.4 U1751 DIN127 A4	
				1	M6007297		Lip seal Ø17xØ30x7	
2	1	A96562900	Vertical reduction gear box 1/21.3	6	M6015697		O-Ring Seal ORM 0055-10 (Ø5,5 x Ø1)	
				6	S415360003		Screw M6x16 UNI EN ISO 5931:2003 precoat coating	
				4	M0606303		Screw M8x25 UNI 5931	
				4	1	A94193700	KIT EL VT Motor Clutch	
							Connecting Coupling Ø31.5	
							Toothed coupling	
				1	M0620401		Spring pin 5x40 DIN1481	
				1	S326490001		Spring	
				1	S415040080		Bushing	
				1	S329360082		Washer	
				1	M0666603		Screw M6x16 UNI 5933	



- A** Anti-seize
- G** Harken® Grease
- T** Axial Threadlocker



**Hydraulic motor**

Pos	Qty	Code	Description	Pos	Qty	Code	Description
1	1	G045942000Y	Hydraulic motor W46-60	4	1	A94149100	KIT HY Motor Flange W46-70
2	1	S41500080	Hydraulic Motor Spacer				Hydraulic Motorgear Flange
3	1	A94193200	KIT Clutch HY Motor W46-70	6	6	S415360003	Screw M6x16 UNI EN ISO 5031:2003 precoat coating
			Toothed coupling	6	6	M6015697	O-Ring Seal OIRM 0055-10 (Ø5,5 x Ø1)
			Connecting Coupling Ø31.5	1	1	M6007297	Lip seal Ø17xØ30x7
1	1	M0620401	Spring pin 5x40 DIN1481	2	2	M0621503	Washer D.13 U1751 DIN127
1	1	S415010080	Bushing	2	2	M0667103	Screw M12x35 UNI5931
1	1	S326490001	Spring				
1	1	S329360082	Washer				
1	1	M0635303	Screw M6x16 UNI5109				

