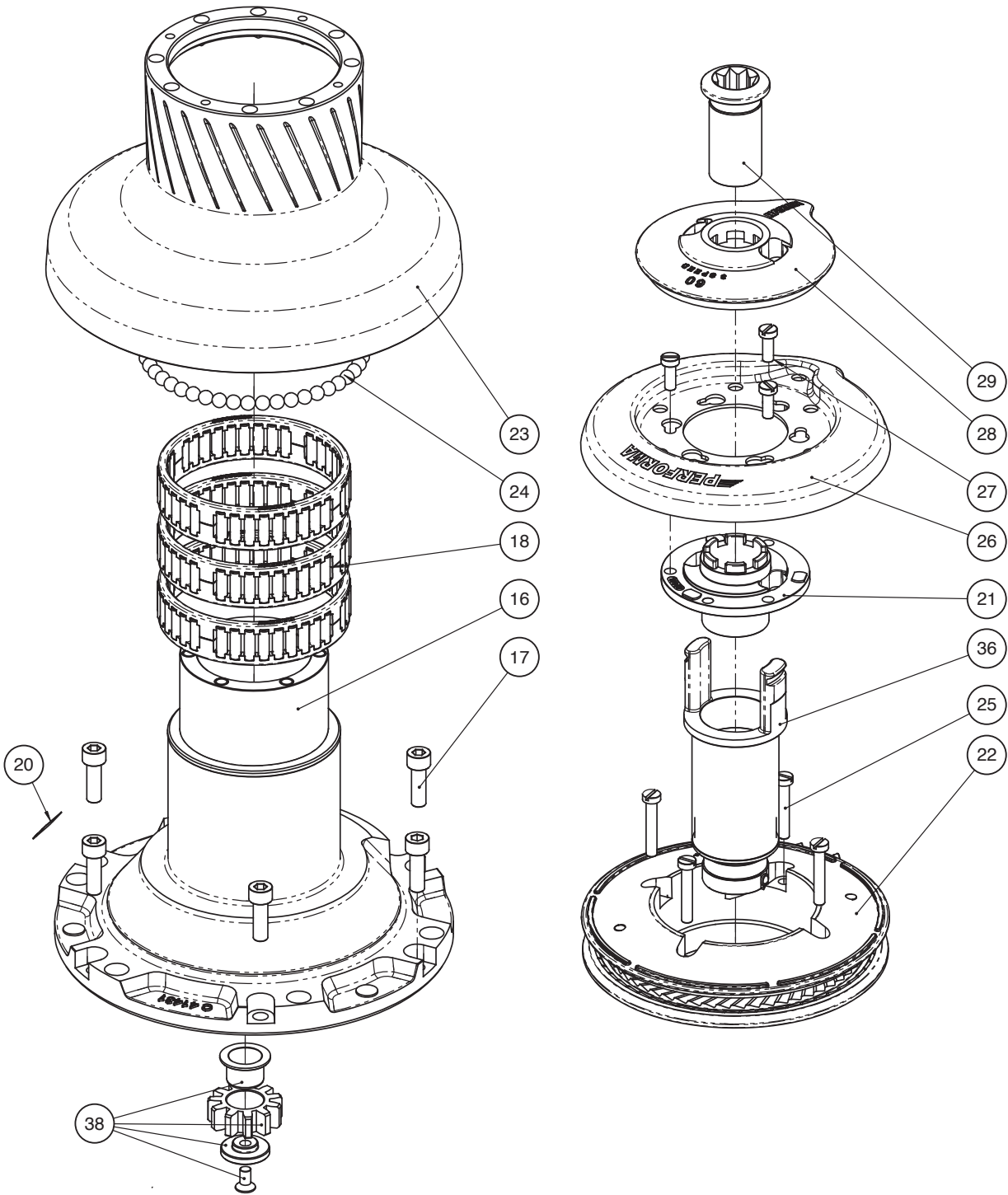
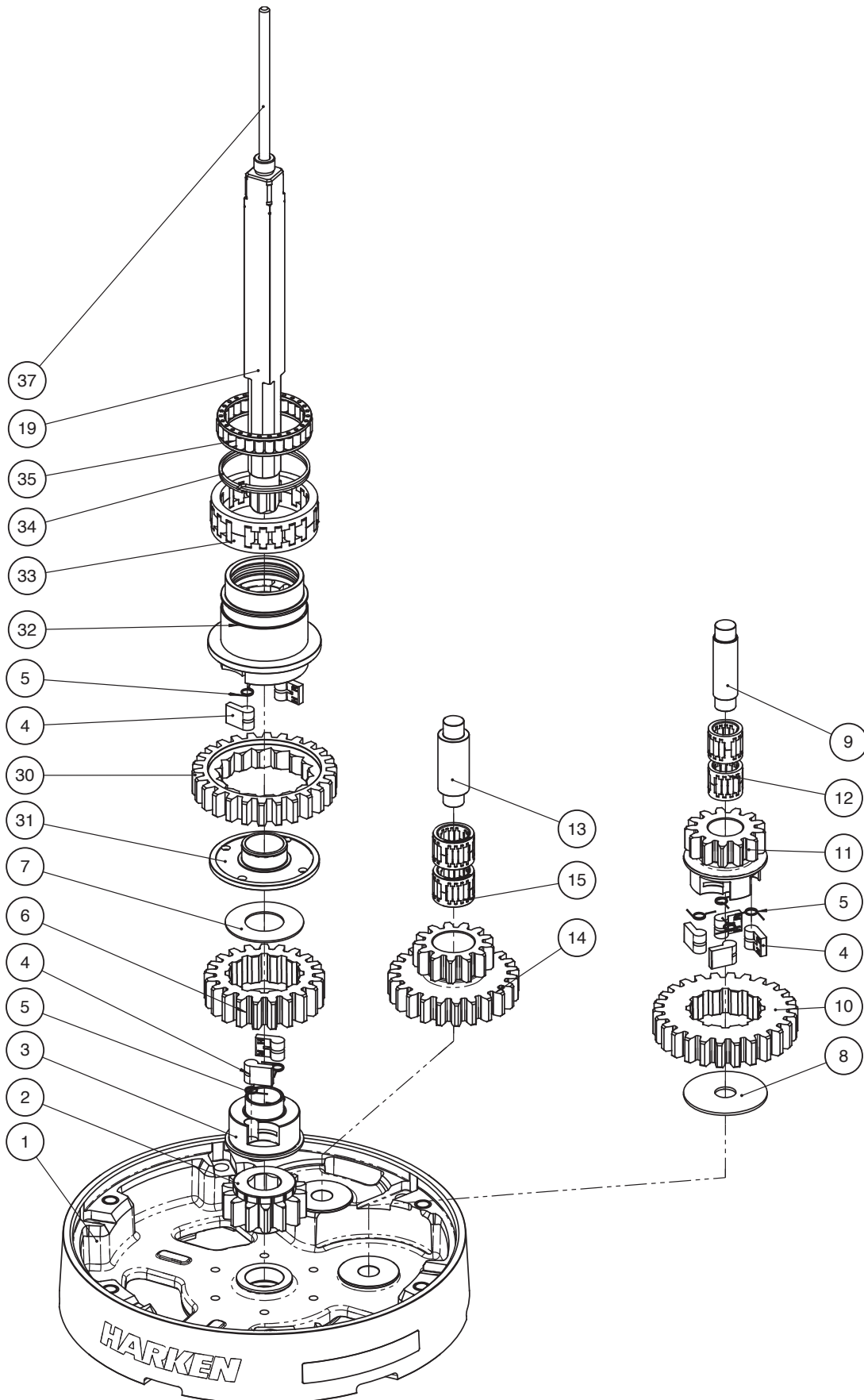


Performa Winch 60.3 STP E/HY



Performa Winch 60.3 STP E/HY



Performa Winch 60.3 STP E/HY

Pos	Q.ty	Code	Description	Pos	Q.ty	Code	Description
1	1	A96574500	Performa Assy Base W60 EL/HY W60 Performa Base Heli-coil M8x10	21	1	S4155700A0	Stripper arm support
	1	S476030004	Centering bushing Ø12	22	1	A96555900	Performa Assy Jaws W60 Lower Jaw W60
	1	S4130900A7	Bushing Ø22xØ25x8.5		1	S414850080	Upper Jaw W60
	2	S415580085	Bushing Ø12xØ35x9 Winch Product Sticker**		4	S018520001	Peeler W60 - 70 Spring
2	1	S414400004	Gear Z14 W60	23	1	A76537501	Performa Drum Assembly W60
3	1	S413030004	Pawls Carrier Ø8xN2	24	47	M0610280	Ball 5/16"
4	8	S000090004	Pawl Ø8*	25	4	M0601803	Screw UNI EN ISO 1207:1996 - M6x35 - A4
5	8	S000380001	Pawl Spring Ø8*	26	1	S657410019	Performa Black Stripper Arm W60
6	1	S414390041	Ratchet Gear Z21xN2	27	3	M0601903	Screw M6x16 UNI1207
7	1	S413120002	Washer Ø22.5xØ45x1	28	1	S4167500B1	Cover 3 Speed W60
8	1	S278170002	Washer Ø12.5xØ48x1.5	29	1	A94191400	Assy Socket Handle Winch 3speed EL/HY Socket Handle 3 speed
9	1	S281010004	Pin for gear		1	S414940085	Washer Ø25xØ15x4
10	1	S414420041	Ratchet Gear Z26xN4		1	S414930003	Nut Screw for Disconnect Rod
11	1	S414410004	Pawls Carrier Gear Z13 N4		1	M0679797	O ring RC 2025 series
12	2	A72821800	Roller Bearing Ø14xØ20x18	30	1	S280870041	Gear 1V
13	1	S416030004	Gear Pin Ø12xØ18x52,5	31	1	S414580081	Shim Bushing 3 speed
14	1	S414480004	Idler and Pinion Z23/Z13 W60	32	1	S415400004	Pawls Carrier 3 speed
15	2	A74162300	Roll bearing Ø24xØ18x18	33	1	A73129200	ROLLER BEARING 50-62-20 ERTA P
16	1	A94190800	Assy Housing Winch 60.3 Housing W60 Heli-coil M6x9	34	1	S377510001	Clutch Spring
	2	S415580085	Bushing Ø12xØ35x9	35	1	A73422600	Bearing Ø45xØ55x12
	1	S415810081	Bushing	36	1	A94158000	Assy Clutch 3rd speed W60 Assy Command tube W60
17	6	M0606303	Screw M8x25 UNI 5931		1	S415420004	Dog Clutch 3 speed
18	3	A74145000	Roller Bearing Ø95xØ107x26		2	M6009463	Spring loaded ball plunger Ø6
19	1	A96753600	Assy Central Shaft Winch 60 EL/HY Central Shaft Pred. W60	37	1	S419020002	Disconnect rod W60.3
	1	S413880002	Washer Ø17.2xØ32x1.5	38	1	A94145300	Assy Gear 3rd speed
20			Winch Serial Number Sticker		1	S414530004	Idler Gear 3 speed
					1	S414550081	Bushing Ø22xØ25x15.5
					1	S414540080	Washer 3 speed
					1	M0604003	Screw M6x12 UNI 5933

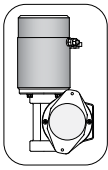
\*Available with service kit; see website [www.harken.com](http://www.harken.com)

\*\*Winch product sticker

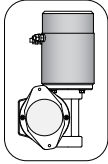


Horizontal electric motor

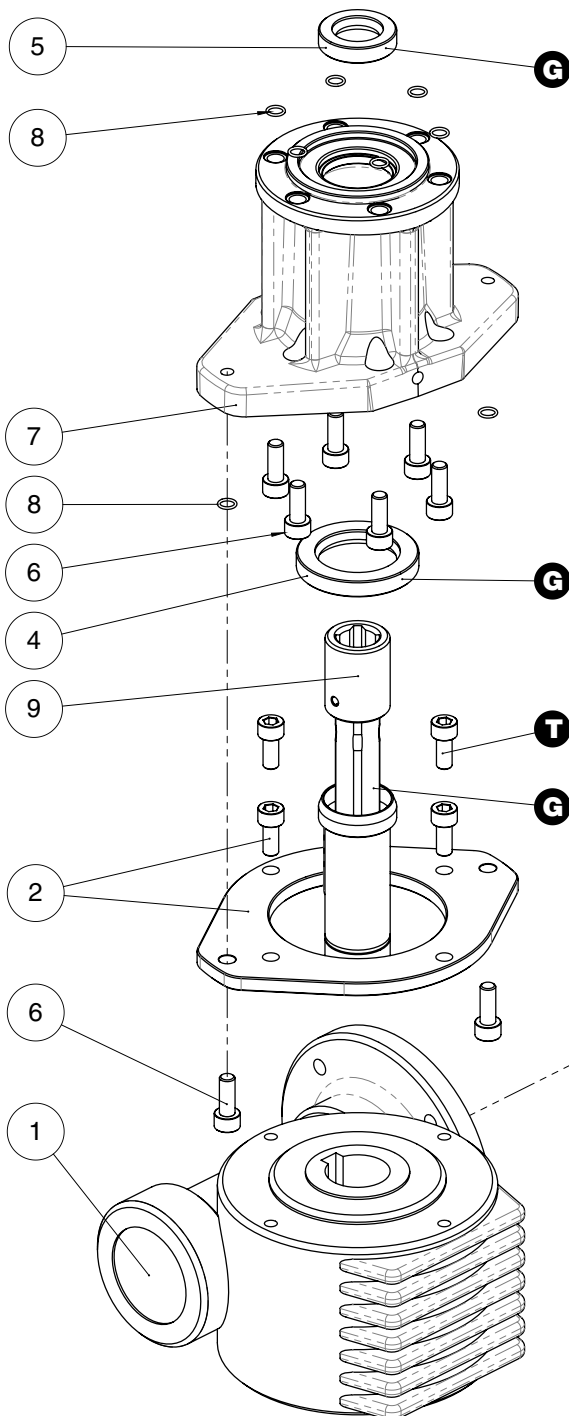
**TOP VIEW**



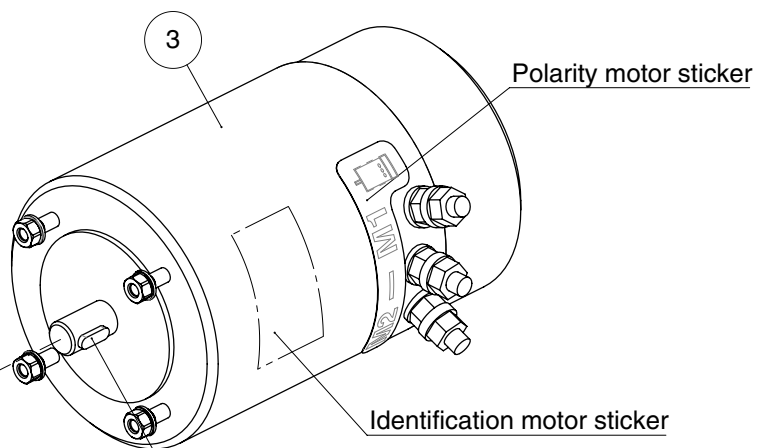
\* Motor installed in right-hand configuration.



\*\* Motor installed in left-hand configuration.



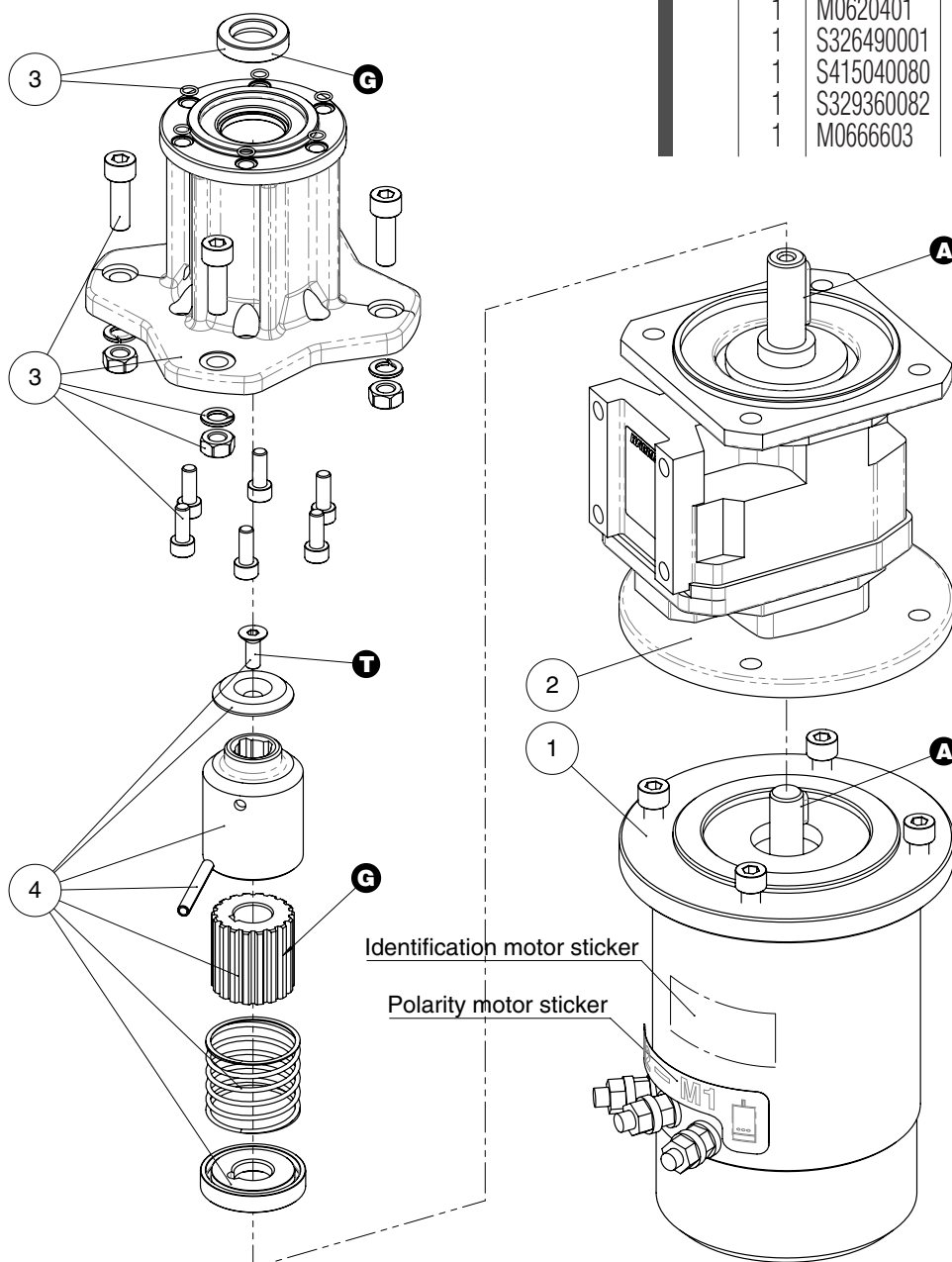
Pos	Q.ty	Code	Description
1	1	A93127900	KIT Gear Reduction 1/24
	1	A94194900	KIT LM Gear Reduction 1/24
2	1	A94149200	KIT Assy Electric Motor Flange
	1	A94149200L	KIT Assy Electric Motor Flange Left
	4	M0606803	Electric Motor Flange Screw M6x14 UNI 5931
3	1	A96010700	KIT EL Motor 12V 1,5kW
	1	A96010600	KIT EL Motor 24V 2kW
			Electric Motor
			Polarity motor sticker
			Screw stud M6x26 Washer Ø6 Nut M6 UNI5588 Key DIN 6885 5x5x15
4	1	M0612097	Sealer Ø30xØ47x7
5	1	M6007297	Lip seal Ø17xØ30x7
6	8	S415360003	Screw M6x16 UNI EN ISO 5931:2003 precote coating
7	1	S496650053	Horizontal Motorgear Flange
8	8	M6015697	O-Ring Seal ORM 0055-10 (Ø5,5 x Ø1)
9	1	A96589000	Performa KIT EL HO Motor Clutch
			Shaft Motorgear HO
			Performa HO Gear Motor Shaft
			Hub GearMotor
	1	M0601402	Dowel UNI EN ISO 8752:2000- Ø4x24
	1	M6020097	O-ring 19.1x1.6
1	S418620001	Disconnect spring	
1	S414050080	Flange GearMotor Shaft HO	
1	M6010303	Key 8x5x40 UNI 7511	



- A** Anti-seize
- G** Harken® Grease
- T** Axial Threadlocker

Vertical electric motor

Pos	Q.ty	Code	Description	Pos	Q.ty	Code	Description
1	1	A96010500	KIT EL Motor 12V 1,5kW VT	3	1	A94150500	KIT EL VT Motor Flange <i>Vertical Motorgear Flange</i>
	1	A96010400	KIT EL Motor 24V 2kW VT <i>Electric Motor</i>		4	M0602903	NUT M8 - UNI 5588 - A4
			<i>Polarity motor sticker</i>		4	M0603103	WASHER 8.4 U1751 DIN127 A4
			<i>Screw M8x20 UNI5931</i>		1	M6007297	Lip seal Ø17xØ30x7
	1	M6014206	Key DIN 6885 5x5x15	6	M6015697	O-Ring Seal ORM 0055-10 (Ø5,5 x Ø1)	
2	1	A96562900	Vertical reduction gear box 1/21.3	6	S415360003	Screw M6x16 UNI EN ISO 5931:2003 <i>precote coating</i>	
				4	M0606303	Screw M8x25 UNI 5931	
				4	1	A94193700	KIT EL VT Motor Clutch <i>Connecting Coupling Ø31.5</i>
							<i>Toothed coupling</i>
				1	M0620401	Spring pin 5x40 DIN1481	
				1	S326490001	Spring	
				1	S415040080	Bushing	
				1	S329360082	Washer	
				1	M0666603	Screw M6x16 UNI 5933	



- A** Anti-seize
- G** Harken® Grease
- T** Axial Threadlocker

Hydraulic motor

Pos	Q.ty	Code	Description	Pos	Q.ty	Code	Description
1	1	G045942000Y	Hydraulic motor W46-60	4	1	A94149100	KIT HY Motor Flange W46-70
2	1	S415000080	Hydraulic Motor Spacer	6	1	S415360003	Hydraulic Motorgear Flange Screw M6x16 UNI EN ISO 5931:2003 precote coating
3	1	A94193200	KIT Clutch HY Motor W46-70	6	1	M6015697	O-Ring Seal ORM 0055-10 (Ø5,5 x Ø1)
			Toothed coupling	1	1	M6007297	Lip seal Ø17xØ30x7
			Connecting Coupling Ø31.5	2	1	M0621503	Washer D.13 U1751 DIN127
	1	M0620401	Spring pin 5x40 DIN1481	2	1	M0667103	Screw M12x35 UNI5931
	1	S415010080	Bushing				
	1	S326490001	Spring				
	1	S329360082	Washer				
	1	M0635303	Screw M8x16 UNI6109				

