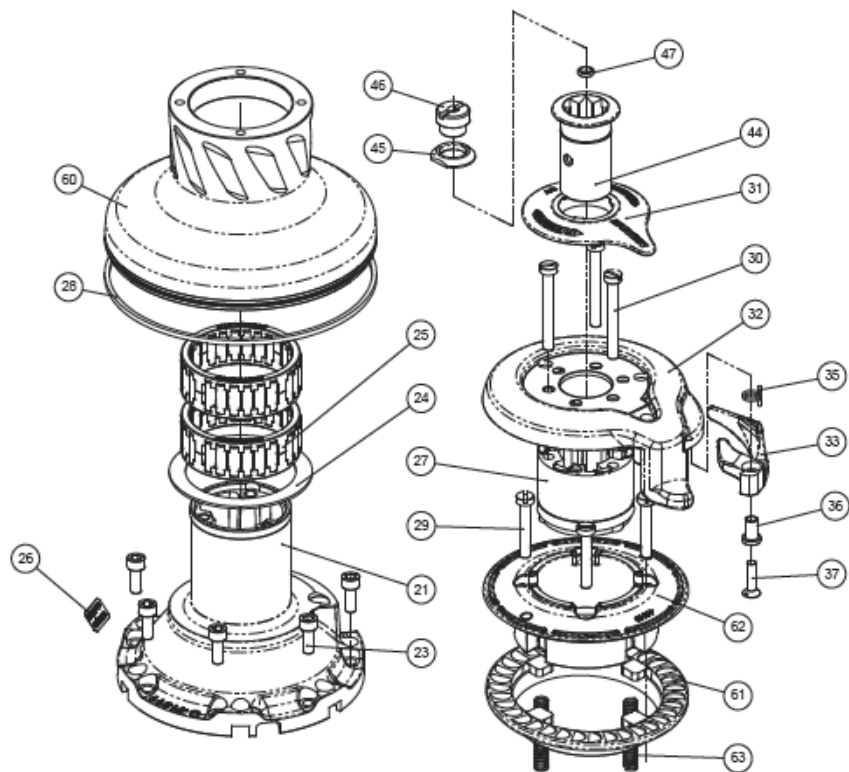
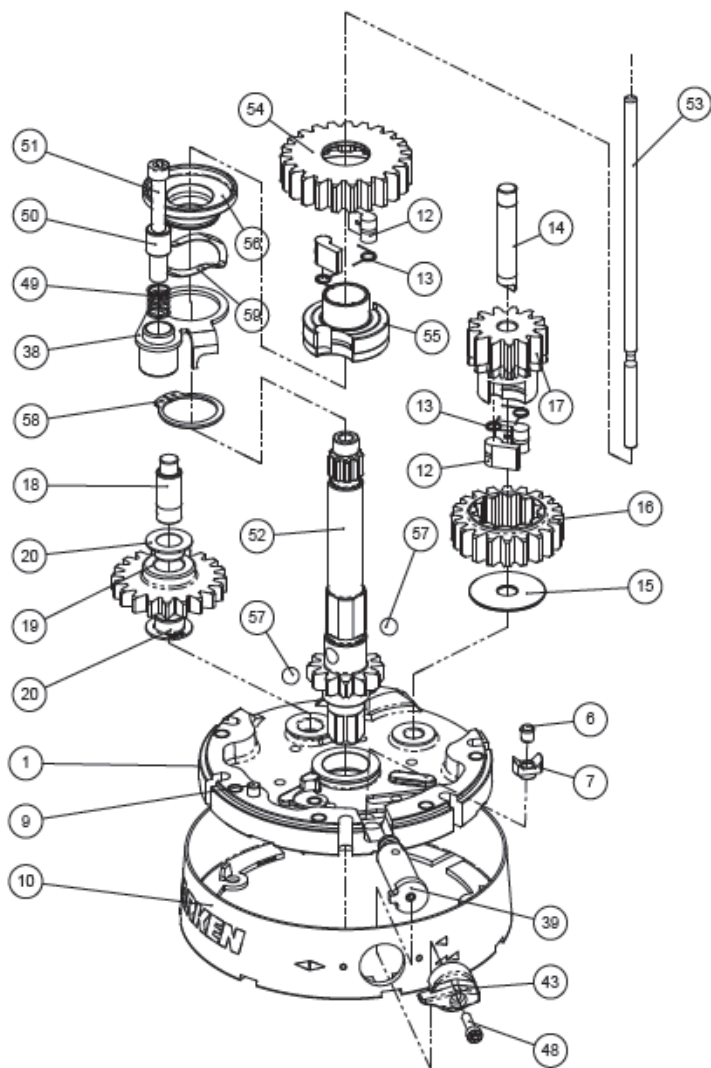


40 Rewind™ STA EL Winch



40 Rewind™ STA EL Winch



40 Rewind™ STA EL Winch

Pos.	Q.ty	Code	Description	Pos.	Q.ty	Code	Description
1	1	A 66395 00 53	Base W40	35	1	S 41957 00 01	Spring strip per arm W46 Rewind
2	9	M0548932	Helix-coil M5x6	36	1	S 41958 00 41	Bushing
3	2	S 41300 00 A7	Bushing Ø22xØ25xØ5*	37	2	M 06160 03	Screw M5x20 UNI 5103
4	1	S 41326 00 85	Bushing Ø12xØ11x12*	38	1	A 741930 00	Command 4 W46 Rewind Fork Bushing
5	1	S 41333 00 85	Bushing Ø12xØ14x11*	39	1	S 66403 00 80	Knob W40 Rewind
6	1	M6004463	Spring loaded ball plunger Ø5	40	1	S 41919 00 04	Pin for knob
7	1	S 66402 00 52	Spacer	41	1	S 41920 00 41	Bushing Ø6.5xØ4x3
8	1	M0515102	Helix-coil M5x6	42	1	M 60365 00 02	Helix-coil M4x6
9	1	S 41335 00 80	Roller Ø5x19	43	1	S 46740 00 80	Knob W46 Rewind
10	1	S 66401 00 A5	Self W40 Rewind	44	1	S 41662 00 12	Socket Handle W46 Rewind
11	1	S 41878 00 63	Winch Product Sticker**	45	1	S 41404 00 85	Washer Ø25xØ15x4
12	4	S 00038 00 03	Pauli Ø8	46	1	S 41493 00 03	Nut Screw for Disconnected Rod
13	4	S 00038 00 01	Pauli Spring Ø8	47	1	M 06767 07	O ring RC 2025 series
14	1	S 41300 00 04	Pin Ø9x55	48	1	M0624103	Screw M4x15 UNI5031
15	1	S270660032	Washer 36x9.5x1*	49	1	S 41869 00 01	Spring Ø10.67x12.7 #1 SPEC D3420-035-05005
16	1	S 41287 00 04	Gear Z20	50	1	S 41663 00 04	Pin for switch W46 Rewind
17	1	S 41285 00 41	Pinion Z13	51	1	M 08242 03	Screw M5x20
18	1	S 41307 00 04	Pin Ø6-Ø12x32.5	52	1	S 66395 00 04	Main shaft W40 Rewind
19	1	S 66389 00 04	Gear Z20	53	1	S 66394 00 02	Disconnector rod 40 Rewind
20	2	S 41490 00 80	Bushing Ø12xØ14x6*	54	1	S 41624 00 41	Gear Z23
21	1	S 66387 00 53	Support W40 Rewind	55	1	S 66495 00 04	Pauli carrier Ø5xØ2 W40 2 Rewind
22	2	S414660080	Bushing Ø12xØ11x7*	56	1	S 41625 00 41	Disconnected Flange
23	6	M0635108	Socket head screw M5x15 UNI 5001*	57	2	M 06141 03	Ball 5-16" Inse
24	1	S 41315 00 82	Washer Ø32xØ30x1.5*	58	1	M0616003	Beeper Ring UNI 7435:1Ø75 - Ø28 mat. 17-7 Ph
25	2	A74136000	Bearing Ø55xØ68x24*	59	1	M 06308 02	Smalley ring 55PØ137-517
26	1	S 41879 00 63	Winch Serial Number Sticker	60	1	S 66393 00 53	Drum A W40 Rewind
27	1	S 41294 00 A0	Stripper arm support	61	1	S 66394 00 53	Lower Jaw W40 Rewind
28	1	S201580037	Red line*	62	1	S413100048	Upper Jaw W40
29	4	M0901803	Screw UNI EN ISO 1207-1006 - M5x35 - A4*	63	4	S38670001	Spring
30	3	M0907103	Screw M5x50 UNI6107*				
31	1	S 66403 00 A5	Cover 2 speed W40 Rewind				
32	1	S 66321 00 19	Stripper-arm W40 Rewind				
33	1	S 66322 00 19	Peeler W40 Rewind				
34	1	S 41917 00 80	Slider				

*Service kit available; see winch kit section on the website www.harken.com

**Winch product sticker



40 Rewind™ STC EL Winch

Pos.	Q.ty	Code	Description	Pos.	Q.ty	Code	Description
1	1	A 66396 00 53	Base W40	35	1	S 41957 00 01	Spring stripper arm W46 Rewind
2	9	M3648902	Hel-coil M6x6	36	1	S 41958 00 41	Bushing
3	2	S 41309 00 A7	Bushing Ø22xØ25x6.5"	37	2	M 06190 03	Screw M5x20 UNI 6109
4	1	S 41396 00 85	Bushing Ø3xØ11x12"	38	1	A 741650 00	Command x W46 Rewind For Bushing
5	1	S 41333 00 85	Bushing Ø12xØ14x11"	39	1	S 66403 00 90	Knob W40 Rewind
6	1	M6003463	Spring/loaded ball plunger Ø6	40	1	S 41919 00 04	Pin for knob
7	1	S 66402 00 52	Spacer	41	1	S 41903 00 41	Bushing Ø6.5xØ4xØ
8	1	M3615102	Hel-coil M6x6	42	1	M 60365 00 02	Hel-coil M4x6
9	1	S 41335 00 80	Roller Ø6x19	43	1	S 48740 00 90	Knob W46 rewind
10	1	S 66401 00 A5	Ball W40 Rewind	44	1	S 41952 00 19	Socket Handle W46 Rewind
11	1	S 41878 00 63	Winch Product Sticker**	45	1	S 41404 00 95	Washer Ø25xØ15x4
12	4	S 00038 00 03	Pauli Ø8	46	1	S 41493 00 03	Nut Screw for Disconnect Rod
13	4	S 00038 00 01	Pauli Spring Ø8	47	1	M 06707 97	O ring RC 3225 series
14	1	S 41330 00 04	Pin Ø6x55	48	1	M0624103	Screw M4x16 UNI5031
15	1	S276060002	Washer 36x9.5x1"	49	1	S 41869 00 01	Spring Ø10.67xØ12.7 xL SPEC C3420-035-05005
16	1	S 41297 00 04	Gear Z20	50	1	S 41953 00 04	Pin for switch W46 Rewind
17	1	S 41285 00 41	Pinion Z13	51	1	M 06242 03	Screw M6x60
18	1	S 41307 00 04	Pin Ø6-Ø12x32.5	52	1	S 66325 00 04	Main shaft W40 Rewind
19	1	S 66389 00 04	Gear Z20	53	1	S 66398 00 02	Disconnect rod 40 Rewind
20	2	S 41490 00 80	Bushing Ø12xØ14x8"	54	1	S 41624 00 41	Gear Z23
21	1	S 66387 00 53	Support W40 Rewind	55	1	S 66405 00 04	Paulis carrier Ø8xØ2 W40.2 Rewind
22	2	S414600080	Bushing Ø9xØ11x7"	56	1	S 41625 00 41	Disconnect Flange
23	6	M3635108	Socket head screw M6x16 UNI 5031*	57	2	M 06141 03	Ball 5-16" 10x6
24	1	S 41315 00 82	Washer Ø62xØ63x1.5"	58	1	M0616903	Beeper Ring UNI 7435-1275 - Ø28 mat. 17-7 Ph
25	2	A74136000	Beating Ø56xØ68x24"	59	1	M 06308 02	Smalley ring S5R0137-517
26	1	S 41876 00 63	Winch Serial Number Sticker	60	1	S 66405 00 43	Drum C W40 Rewind
27	1	S 41294 00 A0	Stripper arm support	61	1	S 66394 00 53	Lower Jaw W40 Rewind
28	1	S281680097	Red line*	62	1	S413100048	Upper Jaw W40
29	4	M3901808	Screw UNI EN ISO 1207-1066 - M6x35 - A4*	63	4	S386700001	Spring
30	3	M6007108	Screw M6x50 UNI6107*				
31	1	S 66433 00 A5	Cover 2 speed W40 Rewind				
32	1	S 66391 00 19	Stripper-arm W40 Rewind				
33	1	S 66382 00 19	Peeler W40 Rewind				
34	1	S 41217 00 80	Slider				

*Service kit available; see winch kit section on the website www.harken.com

**Winch product sticker



40 Rewind™ STCW EL Winch

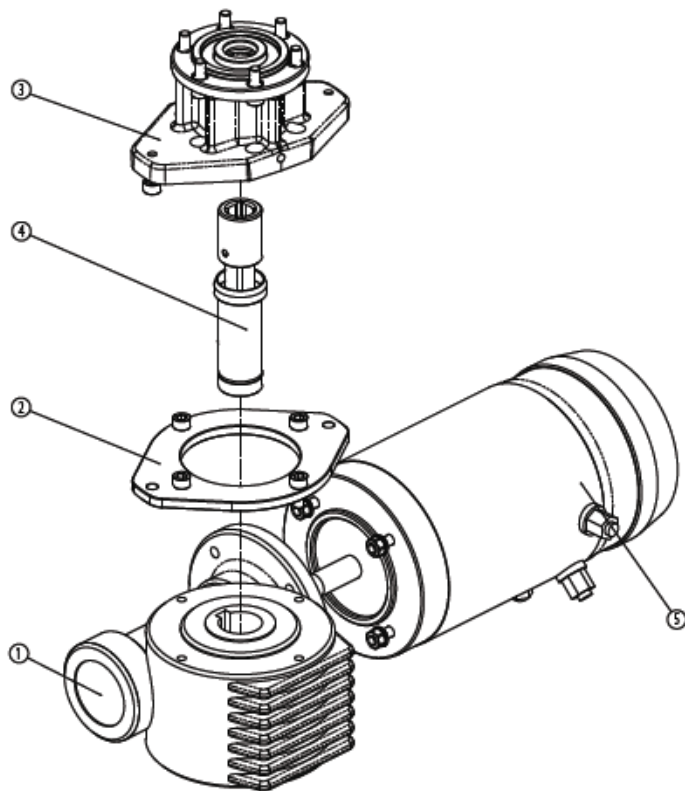
Pos.	Q.ty	Code	Description	Pos.	Q.ty	Code	Description
1	1	A 66396 00 53	Base W40	35	1	S 41957 00 01	Spring stripper arm W46 Rewind
2	9	M0540932	Helix-coil M6x6	36	1	S 41958 00 41	Bushing
3	2	S 41339 00 47	Bushing Ø22xØ25x6.5"	37	2	M 06160 03	Screw M5x20 UNI 5103
4	1	S 41395 00 85	Bushing Ø9xØ11x12"	38	1	A 741653 00	Command x W46 Rewind Fly Bushing
5	1	S 41333 00 85	Bushing Ø12xØ14x11"	39	1	S 66400 00 80	Knob W40 Rewind
6	1	M9009463	Spring loaded ball plunger Ø6	40	1	S 41919 00 04	Pin for knob
7	1	S 66402 00 52	Spacer	41	1	S 41920 00 41	Bushing Ø6.5xØ6x6
8	1	M0515102	Helix-coil M6x6	42	1	M 60385 93 02	Helix-coil M4x6
9	1	S 41335 00 80	Roller Ø6x19	43	1	S 40740 00 80	Knob W46 rewind
10	1	S 66401 00 A5W	Set W40 Rewind RAL 9003 (for White Line)	44	1	S 41952 00 19	Socket Handle W46 Rewind
11	1	S 41878 00 63	Winch Product Sticker**	45	1	S 41494 00 85	Washer Ø25xØ15x4
12	4	S 00009 00 03	Pawl Ø5	46	1	S 41493 00 03	Nut screw for Disconnect Rod
13	4	S 00038 00 01	Pawl Spring Ø8	47	1	M 06707 97	O ring RC 2025 series
14	1	S 41330 00 04	Pin Ø6x55	48	1	M0624103	Screw M4x15 UNI5931
15	1	S276060002	Washer 36xØ5x1"	49	1	S 41869 00 01	Spring Ø10.67x12.7 int. SPEC D3420-005-05006
16	1	S 41297 00 04	Gear Z20	50	1	S 41663 00 04	Pin for switch W46 Rewind
17	1	S 41295 00 41	Pinion Z13	51	1	M 06242 03	Screw M6x60
18	1	S 41307 00 04	Pin Ø6-Ø12x32.5	52	1	S 66395 00 04	Main shaft W40 Rewind
19	1	S 66399 00 04	Gear Z20	53	1	S 66398 00 02	Disconnect rod 40 Rewind
20	2	S 41499 00 80	Bushing Ø12xØ14x6"	54	1	S 41624 00 41	Gear Z23
21	1	S 66397 00 53	Support W40 Rewind	55	1	S 66406 00 04	Pawls center Ø8xØ2 W40.2 Rewind
22	2	S414860080	Bushing Ø9xØ11x7"	56	1	S 41626 00 41	Disconnect Flange
23	6	M0635108	Socket head screw M6x16 UNI 5931*	57	2	M 06141 03	Ball 5-16" Inox
24	1	S 41315 00 62	Washer Ø52xØ60x1.5"	58	1	M0616603	Beeper Ring UNI 7435-1275 - Ø28 mat. 17-7 Ph
25	2	A74136030	Bearing Ø56xØ62x24"	59	1	M 06308 02	Smalley ring 55RD137-517
26	1	S 41876 00 63	Winch Serial Number Sticker	60	1	S 66405 00 43	Drum C W40 Rewind
27	1	S 41294 00 A0	Stripper arm support	61	1	S 66394 00 53	Lower Jaw W40 Rewind
28	1	S281580397	Red line*	62	1	S413100A02W	Upper Jaw W40 RAL 9003 (for White Line)
29	4	M0601808	Screw UNI EN ISO 1207-1006 - M6x35 - A4*	63	4	S336970001	Spring
30	3	M9007103	Screw M6x50 UNI6 107*				
31	1	S 66403 00 A5W	Cover 2 speed W40 Rewind RAL 9003 (for White Line)				
32	1	S 66391 00 19	Stripper-arm W40 Rewind				
33	1	S 66392 00 19	Peeler W40 Rewind				
34	1	S 41217 00 80	Slider				

*Service kit available; see winch kit section on the website www.harken.com

**Winch product sticker



Horizontal electric motor 12V



TOP VIEW



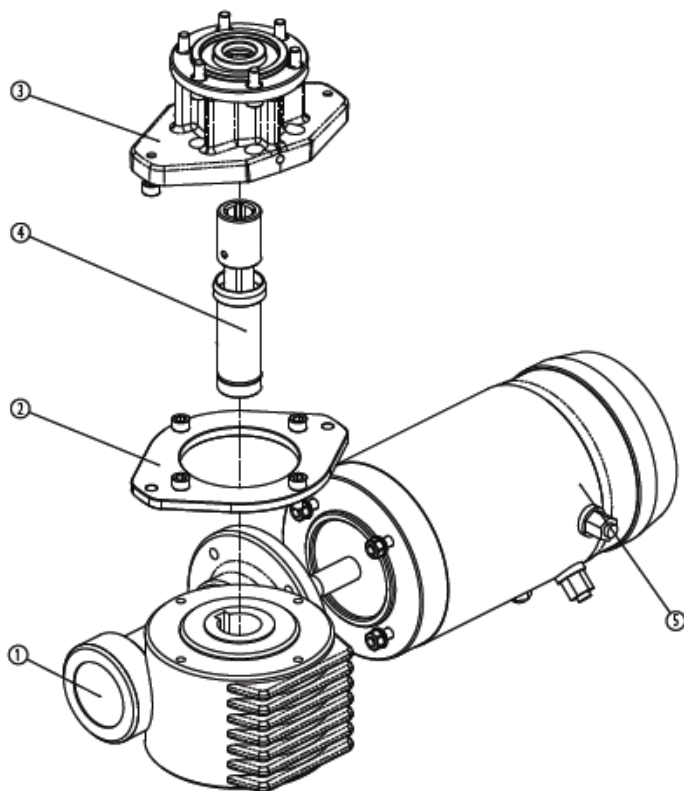
* Motor installed in
right-hand configuration.



** Motor installed in
left-hand configuration.

Pos.	Qty	Code	Description
1	1	A 931279 00 A 941949 00	KIT Gear Reduction VF-8P KIT LM Gear Reduction VF-8P**
2	1	A 941492 00	KIT Assy Electric Motor Range
3	1	A 941495 00	KIT EL HO Motor Range
4	1	A 941616 00	KIT EL HO Motor Clutch
5	1	A 960241 00	Motor 12 V 0,7 kW with brake

Horizontal electric motor 24V



* Motor installed in right-hand configuration.



** Motor installed in left-hand configuration.

Pos.	Qty	Code	Description
1	1	A 931279 00 A 941949 00	KIT Gear Reduction VF-49 [®] KIT LM Gear Reduction VF-49 [™]
2	1	A 941492 00	KIT Assy Electric Motor Range
3	1	A 941495 00	KIT EL HO Motor Range
4	1	A 941616 00	KIT EL HO Motor Clutch
5	1	A 960338 00	Motor 24V 0,7kW with brake