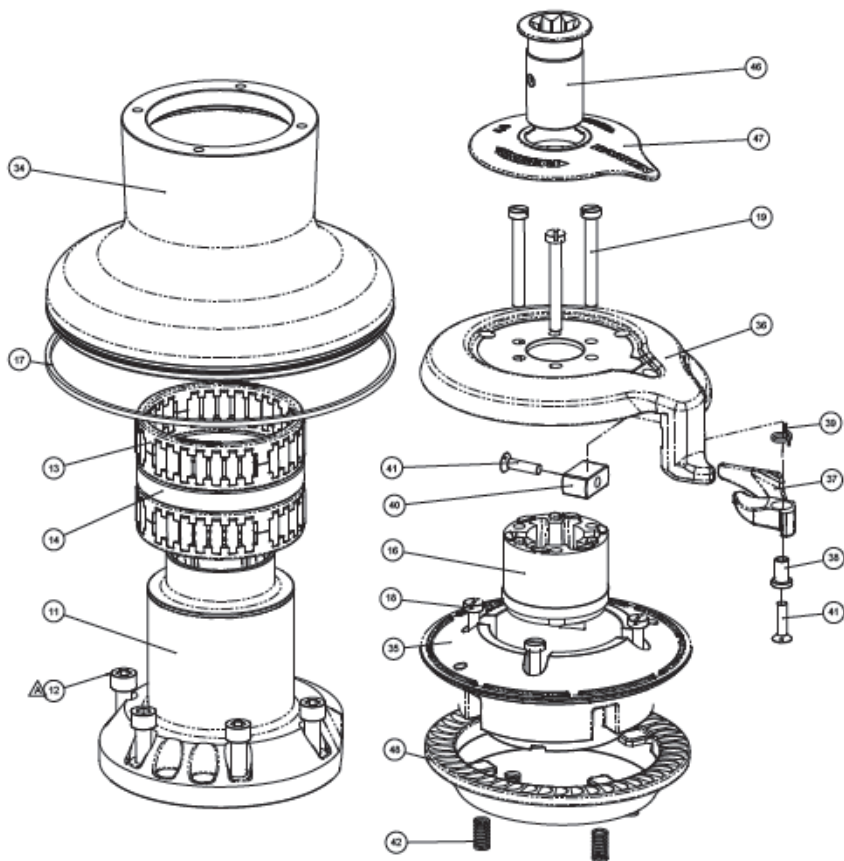


46 Rewind™ STA EL Winch



46 Rewind™ STA EL Winch

Pos.	Q.ty	Code	Description	Pos.	Q.ty	Code	Description
1	1	A 041641 01	Assy Base Winch 46	27	1	S 41624 00 41	Gear Z23
2	1	A 041642 00	Assy Strut Winch 46**	28	1	S 41630 00 02	Disconnect rod W46
3	1	S 41330 00 04	Pin Ø12x60	29	1	S 41653 00 04	Pin for switch W46
4	1	S278170002	Washer 12.5x48x1.5*	30	1	M 05242 03	Screw M5x20
5	6	S 00008 00 03	Pawl BP*	31	1	S 41659 00 01	Spring Ø10.67x12.7 of SPEC C0420-035-05035
6	6	S 00008 00 01	Pawl Spring BP*	32	1	A 741620 00	Command x W46
7	1	S 41325 00 41	Pinion Z13	33	1	M6009463	Spring loaded ball plunger
8	2	M6017504	IGUS Bushing PSM-1214-20*	34	1	S 41648 00 53	Drum A W46
9	1	S 41307 00 04	Pin Ø6-Ø12x323	35	1	S 41274 00 A0	Upper Jaw W46
10	1	A 041334 00	Assy Gear Z12*	36	1	S 41625 00 19	Stripper-arm W46
11	1	A 067567 00	Assy Housing W46 Rewind with sensors* Winch Serial Number/Slider	37	1	S 41656 00 19	Peeler W46 BT
12	5	M606303	Screw M5x25 UNI5031	38	1	S 41628 00 41	Bushing
13	2	A 741337 00	Bearing Ø75xØ67x25*	39	1	S 41657 00 01	Spring stripper arm W46
14	1	S 41339 00 80	Spacer*	40	1	S 41017 00 80	Slider
15	1	S 41876 00 63	Winch Serial Number Slider	41	2	M 05190 03	Screw M5x20 UNI 5109
16	1	S 412943343	Stripper arm support	42	4	S355970001	Spring
17	1	S281690067	Red line*	43	1	A 041018 00	Assy knob W46
18	4	M601863	Screw UNI EN ISO 1207-10x6 - M6x35 - A4*	44	1	S 40740 00 80	Knob W46
19	3	M6007103	Screw M6x50 UNI6103*	45	1	M6024103	Screw M4x16 UNI6033
20	1	S 41654 00 04	Gear Z27	46	1	A 041552 00	Assy socket W46 Washer for disconnect rod Washer Ø25x19x4 Serial Number W25/Ø3 O-ring Ø25x1.5
21	1	S 41628 00 04	Main shaft W46 Rewind	47	1	S 60119 00 A5	Cover 2 speed W46*
22	1	S 41626 00 41	Disconnected flange	48	1	S 41621 00 52	Lower Jaw W46
23	2	M 05141 03	Bolt 5-16" Inox				
24	1	M615603	Beeper Ring UNI 7435-1075 - Ø28 mat. 17-7 Ph				
25	1	M 06308 02	Smalley ring SBR0137-517				
26	1	S 41625 00 04	Pawl's carrier Ø6xH2				

*Service kit available; see winch kit section on the website www.harken.com

**Winch product sticker



46 Rewind™ STC EL Winch

Pos.	Q.ty	Code	Description	Pos.	Q.ty	Code	Description
1	1	A 041641 00	Assy Base Winch 46	27	1	S 41624 00 41	Gear Z23
2	1	A 041642 00	Assy Sert Winch 46**	28	1	S 41630 00 02	Disconnected rod W46
3	1	S 41330 00 04	Pin Ø12x60	29	1	S 41635 00 04	Pin for switch W46
4	1	S278170002	Washer 12.5x48x1.5*	30	1	M 06242 03	Screw M6x30
5	6	S 00035 00 03	Pawl 80*	31	1	S 41659 00 01	Spring Ø19.5x12.7 rlt.SPEC. C340-035-05935
6	6	S 00035 00 01	Pawl Spring 26*	32	1	A 741620 00	Command x W46
7	1	S 41325 00 41	Pinion Z13	33	1	M6006463	Spring loaded ball plunger
8	2	M6017594	IGUS Bushing PSM-1214-20*	34	1	S 62352 00 43	Drum C W46
9	1	S 41307 00 04	Pin Ø6-Ø12x32.5	35	1	S 41274 00 A0	Upper Jaw W46
10	1	A 041334 00	Assy Gear Z12*	36	1	S 41655 00 19	Stripper-arm W46
11	1	A 067957 00	Assy Housing W46 Rewind with sensors* Winch Serial/Washer Slider	37	1	S 41656 00 19	Peeler W46 BT
12	3	M606333	Screw M6x25 UN2901	38	1	S 41658 00 41	Bushing
13	2	A 741337 00	Bearing Ø75xØ67x26*	39	1	S 41657 00 01	Spring stripper arm W46
14	1	S 41329 00 80	Spacer*	40	1	S 41917 00 80	Slider
15	1	S 41876 00 63	Winch Serial Number Sticker	41	2	M 06190 03	Screw M3x20 UNI 6199
16	1	S412940040	Stripper arm support	42	4	S395970001	Spring
17	1	S281960067	Red line*	43	1	A 041918 00	Assy knob W46
18	4	M6091833	Screw UNI EN ISO 1207-1066 - M6x35 - A4*	44	1	S 40740 00 80	Knob W46
19	3	M6007 933	Screw M6x30 UNI 6107*	45	1	M6024103	Screw M6x16 UNI 6033
20	1	S 41654 00 04	Gear Z27	46	1	A 041652 00	Assy socket W46 Not used for disconnected rod Washer Ø29 (5x4) Serial Number M60669 O-ring Ø25 outer
21	1	S 41628 00 04	Main shaft W46 Rewind	47	1	S 665119 00 A5	Cover 2 speed W46*
22	1	S 41626 00 41	Disconnected flange	48	1	S 41921 00 52	Lower Jaw W46
23	2	M 06141 03	Ball 5-16" Inox				
24	1	M616693	Seeger Ring UNI 7435-1075 - Ø28 mat. 17-7 Ph				
25	1	M 06306 02	Smalley ring SGP0137-517				
26	1	S 41625 00 04	Pawl carrier Ø6xØ2				

*Service kit available; see winch kit section on the website www.harken.com

**Winch product sticker



46 Rewind™ STCW EL Winch

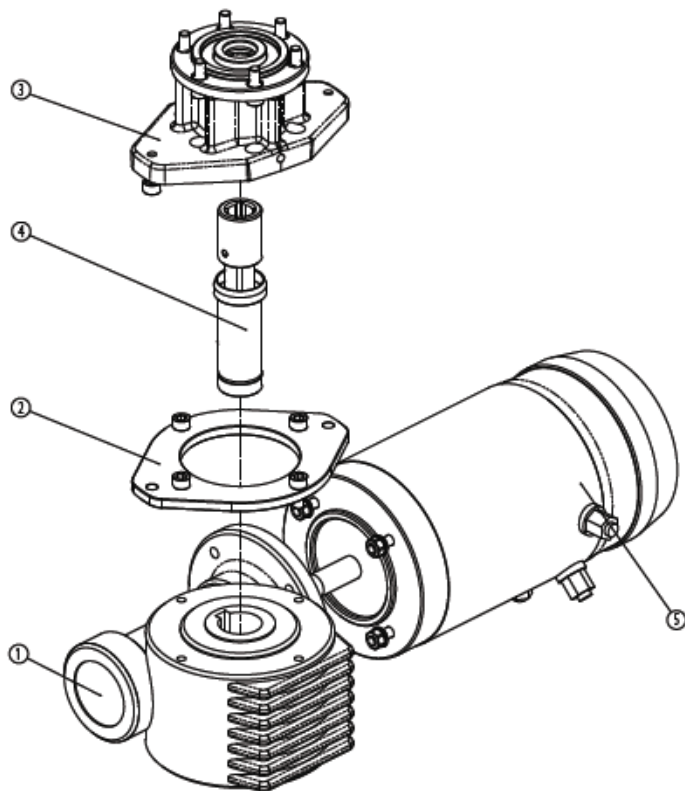
Pos.	Q.ty	Code	Description	Pos.	Q.ty	Code	Description
1	1	A 041641 00	Assy Base Winch 46	27	1	S 41624 00 41	Gear Z23
2	1	A 041642 00W	Assy Skirt/Winch 46 RAL 9003 (for White Line)**	28	1	S 41630 00 02	Disconnected rod W46
3	1	S 41330 00 04	Pin Ø12x60	29	1	S 41653 00 04	Pin for switch W46
4	1	S279170002	Washer 12.5x48x1.5	30	1	M 06242 03	Screw M5x60
5	6	S 00038 00 03	Pin Ø8*	31	1	S 41659 00 01	Spring Ø10.67x12.7 r1.SPEC. C3420-02B-05003
6	6	S 00038 00 01	Pin Ø8 Spring Ø8*	32	1	A 741650 00	Command x W46
7	1	S 41325 00 41	Pinion Z13	33	1	M6000463	Spring loaded ball plunger
8	2	M6017694	IGUS Bushing PSM-1214-20*	34	1	S 65352 00 43W	Drum W46 RAL 9003 (for White Line)
9	1	S 41307 00 04	Pin Ø6-Ø12x32.3	35	1	S 41274 00 AW	Upper Jaw W46 RAL 9003 (for White Line)
10	1	A 041334 00	Assy Gear Z12*	36	1	S 41655 00 19	Stripper-arm W46
11	1	A 067567 00	Assy Housing W46 Rewind with seasons* Winch Skirt/Washer/Slider	37	1	S 41656 00 19	Peeler W46 BT
12	5	M0606303	Screw M6x25 UN1.5x31	38	1	S 41658 00 41	Bushing
13	2	A 741337 00	Bearing Ø75xØ67x26*	39	1	S 41657 00 01	Spring stripper arm W46
14	1	S 41339 00 83	Spacer*	40	1	S 41617 00 83	Slider
15	1	S 41676 00 63	Winch Serial Number Sticker	41	2	M 06190 03	Screw M5x20 UN1.6x109
16	1	S412940040	Stripper arm support	42	4	S395970001	Spring
17	1	S281660007	Red line*	43	1	A 041618 00	Assy knob W46
18	4	M0601803	Screw UNI EN ISO 1207:10x6 - M6x3 - A4*	44	1	S 40740 00 80	Knob W46
19	3	M6007 903	Screw M6x50 UN1.6107*	45	1	M0624103	Screw M4x16 UN1.5x33
20	1	S 41654 00 04	Gear Z27	46	1	A 041652 00	Assy socket W46 Not used for disconnected rod Washer Ø19.5x41 Serial Number M0660 Oring Z25 washer
21	1	S 41628 00 04	Main shaft W46 Rewind	47	1	S 65116 00 A5	Cover 2 speed W46 RAL 9003 (for White Line)*
22	1	S 41626 00 41	Disconnect flange	48	1	S 41621 00 52	Lower Jaw W46
23	2	M 06141 03	Ball 5-16" inox				
24	1	M0616503	Seeger Ring UNI 7435:1075 - Ø26 mat. 17-7 Pa				
25	1	M 06306 02	Smalley ring 55R0137-517				
26	1	S 41625 00 04	Pinion carrier Ø6x42				

*Service kit available; see winch kit section on the website www.harken.com

**Winch product sticker



Horizontal electric motor



TOP VIEW



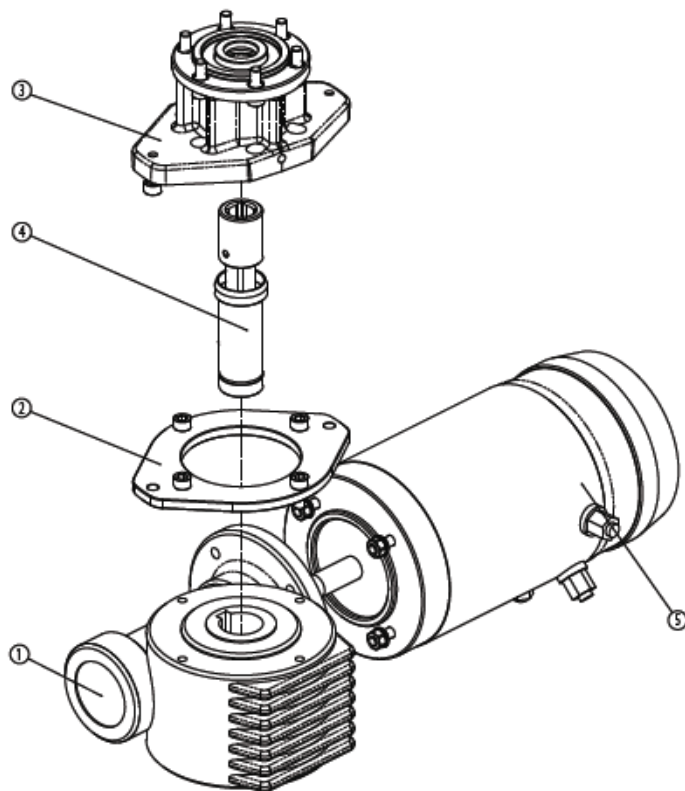
* Motor installed in
right-hand configuration.



** Motor installed in
left-hand configuration.

Pos.	Qty	Code	Description
1	1	A 931279 00 A 941949 00	KIT Gear Reduction VF-49* KIT LM Gear Reduction VF-49**
2	1	A 941402 00	KIT Assy Electric Motor Range
3	1	A 941405 00	KIT EL HO Motor Range
4	1	A 941616 00	KIT EL HO Motor Clutch
5	1	A 960241 00	Motor 12 V 0,7 kW with brake

Horizontal electric motor



TOP VIEW



* Motor installed in
right-hand configuration.



** Motor installed in
left-hand configuration.

Pos.	Qty	Code	Description
1	1	A 931279 00 A 941949 00	KIT Gear Reduction VF-49 [®] KIT LM Gear Reduction VF-49 [™]
2	1	A 941402 00	KIT Assy Electric Motor Range
3	1	A 941485 00	KIT EL HO Motor Range
4	1	A 941616 00	KIT EL HO Motor Clutch
5	1	A 962338 00	Motor 24 V 0,7 kW with brake