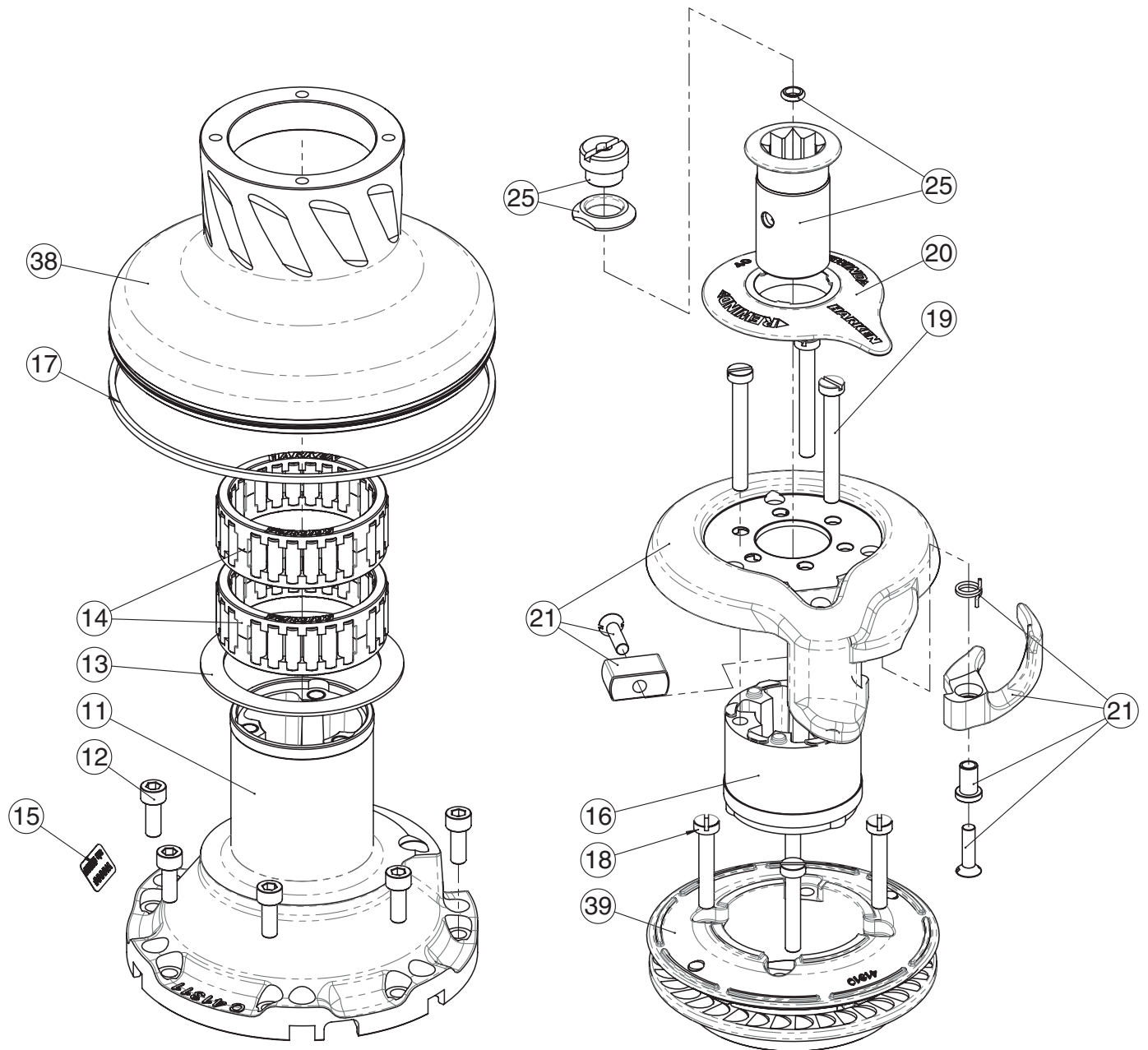
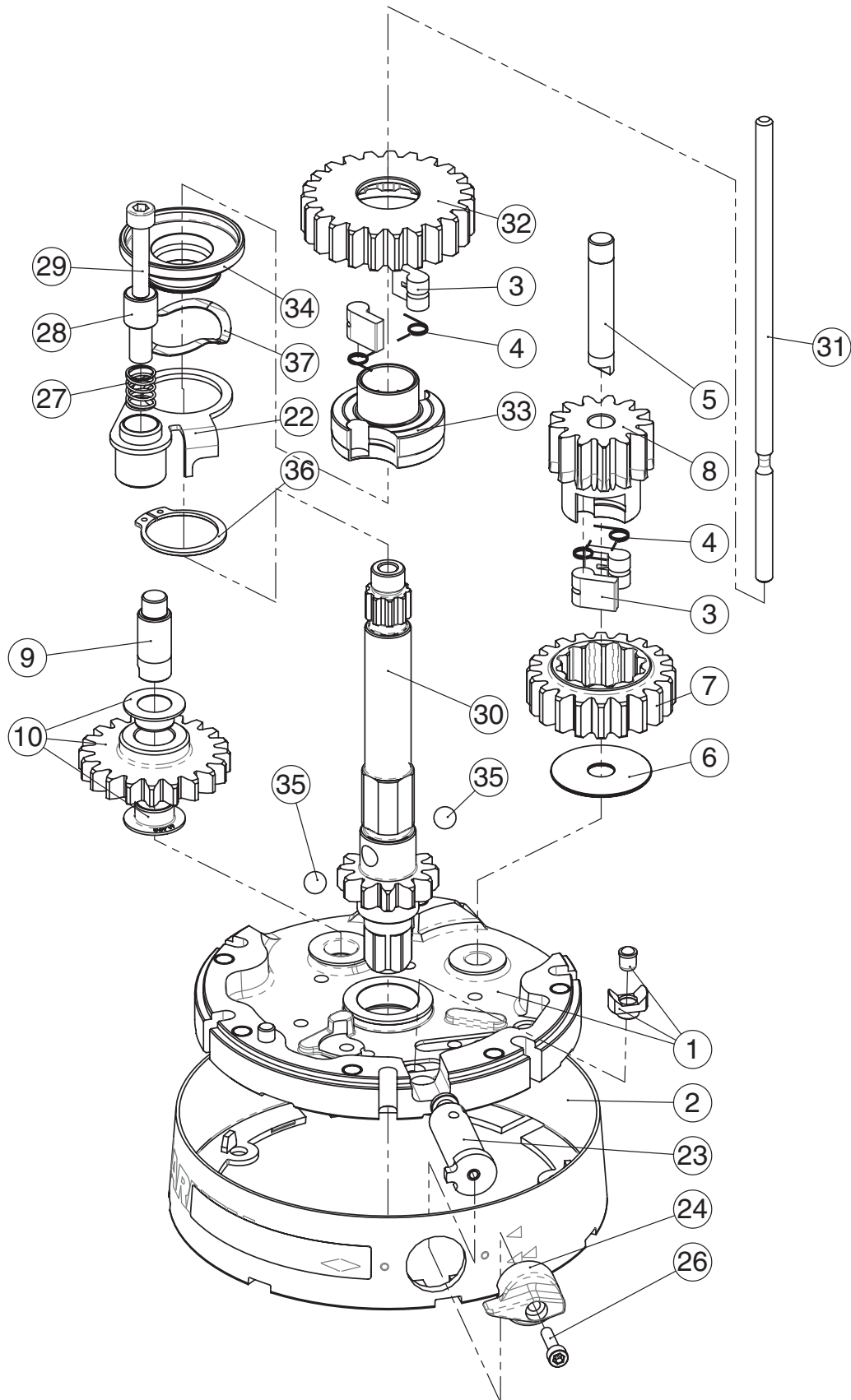


Exploded view

40 Rewind STA, STC, STCW, STBBB, STCCC EL Winch



40 Rewind STA, STC, STCW, STBBB, STCCC EL Winch



Parts List

40 Rewind™ STA EL Winch

A = drum in anodised aluminium

| Pos. | Q.ty | Code | Description | Pos. | Q.ty | Code | Description |
|------|------|------------|--|------|------|------------|---|
| 1 | 1 | A96639600 | Assy Base Winch 40 EL/HY Base W40 rewind Heli-coil M6x9 | 21 | 1 | A76639100 | Stripper arm W40 Rewind Stripper arm W40 C Rewind |
| | 1 | S4130900A7 | Bushing Ø22xØ25x8.5 | | 1 | S6639200F0 | Peeler W40 Rewind |
| | 1 | S413960085 | Bushing Ø9xØ11x12 | | 1 | S419170080 | Slider |
| | 1 | S413330085 | Bushing Ø12xØ14x11 | | 1 | S416570001 | Spring stripper arm W46 Rewind |
| | 1 | M6009463 | Spring loaded ball plunger Ø6 | | 1 | S416580041 | Bushing |
| | 1 | S664020052 | Spacer | | 2 | M0619003 | Screw M5x20 UNI 6109 |
| | 1 | S413350080 | Roller Ø6x19 | 22 | 1 | A74165000 | Command for W46 Rewind |
| 2 | 1 | A96640100 | Assembly Skirt Winch 40 Skirt W40 rewind Winch Product Sticker** | 23 | 1 | A96640000 | Assy knob W40 Rewind Knob W40 Rewind Heli-coil M4x8 |
| 3 | 4 | S000080003 | Pawl Ø8* | | 1 | S419190004 | Pin for knob |
| 4 | 4 | S000380001 | Pawl Spring Ø8* | | 1 | S419200041 | Bushing Ø6.5xØ4x3 |
| 5 | 1 | S413000004 | Pin Ø9x55 | 24 | 1 | S497400080 | Knob W46 rewind |
| 6 | 1 | S279090002 | Washer Ø36xØ9,5x1 | 25 | 1 | A94165200 | Assy socket W46 Rewind Socket Handle W46 Rewind |
| 7 | 1 | S412970004 | Gear Z20 | | 1 | S414940085 | Washer Ø25xØ15x4 |
| 8 | 1 | S412850041 | Pinion Z13 | | 1 | S414930003 | Nut Screw for Disconnect Rod |
| 9 | 1 | S413070004 | Pin Ø9xØ12x32.5 | | 1 | M0679797 | O ring RC 2025 series |
| 10 | 1 | A76639900 | Assy Gear Z20 Gear Z20 | 26 | 1 | M0624103 | Screw M4x16 UNI5931 |
| | 2 | S414900080 | Bushing Ø12xØ14x8 | 27 | 1 | S418590001 | Spring Ø10.67x12.7 rif.SPEC C0420-035-0500S |
| 11 | 1 | A96639700 | Assy Housing Winch 40 RW Support W40 rewind Heli-coil M6x9 | 28 | 1 | S416530004 | Pin for switch W46 Rewind |
| | 2 | S414890080 | Bushing Ø9xØ11x7 | 29 | 1 | M0624203 | Screw M6x30 |
| | 1 | S4130900A7 | Bushing Ø22xØ25x8.5 | 30 | 1 | S663950004 | Main shaft W40 Rewind |
| 12 | 6 | M0635103 | Socket head screw M6x16 UNI 5931 | 31 | 1 | S663980002 | Disconnect rod 40 Rewind |
| 13 | 1 | S413150082 | Washer Ø62xØ80x1.5 | 32 | 1 | S416240041 | Gear Z23 |
| 14 | 2 | A74136000 | Bearing Ø56xØ68x24 | 33 | 1 | S664060004 | Pawls carrier Ø8xN2 W40.2 RW |
| 15 | | | Winch Serial Number Sticker | 34 | 1 | S416260041 | Disconnect flange |
| 16 | 1 | S4129400A0 | Stripper arm support | 35 | 2 | M0614103 | Ball 5-16" inox |
| 17 | 1 | S281680097 | Red line | 36 | 1 | M0616603 | Seeger Ring UNI 7435:1975 - Ø28 mat. 17-7 Ph |
| 18 | 4 | M0601803 | Screw UNI EN ISO 1207:1996 - M6x35 - A4 | 37 | 1 | M0630802 | SMALLEY RING SSR0137-S17 |
| 19 | 3 | M6007103 | Screw M6x50 UNI6107 | 38 | 1 | S663930053 | Drum A W40 RW |
| 20 | 1 | S6640300A5 | Cover 2 speed W40 RW | 39 | 1 | A96639400 | Assy jaws Winch 40 Rewind Lower Jaw W40 Rewind Upper Jaw W35/40 SPRING |
| | | | | 4 | | S385970001 | |

*Available with service kit; see website www.harken.com

**Winch product sticker



40 Rewind™ STC EL Winch

C = drum in chrome bronze

| Pos. | Q.ty | Code | Description | Pos. | Q.ty | Code | Description | |
|------|------|------------|--|------|--|------------------------------|--|------------------------|
| 1 | 1 | A96639600 | Assy Base Winch 40 EL/HY Base W40 rewind Heli-coil M6x9 | 21 | 1 | A76639100 | Stripper arm W40 Rewind Stripper arm W40 C Rewind | |
| | 1 | S4130900A7 | Bushing Ø22xØ25x8.5 | | 1 | S6639200F0 | Peeler W40 Rewind | |
| | 1 | S413960085 | Bushing Ø9xØ11x12 | | 1 | S419170080 | Slider | |
| | 1 | S413330085 | Bushing Ø12xØ14x11 | | 1 | S416570001 | Spring stripper arm W46 Rewind | |
| | 1 | M6009463 | Spring loaded ball plunger Ø6 | | 1 | S416580041 | Bushing | |
| | 1 | S664020052 | Spacer | | 2 | M0619003 | Screw M5x20 UNI 6109 | |
| | 1 | S413350080 | Roller Ø6x19 | | 22 | 1 | A74165000 | Command for W46 Rewind |
| | 2 | 1 | A96640100 | | Assembly Skirt Winch 40 Skirt W40 rewind Winch Product Sticker** | 23 | 1 | A96640000 |
| 3 | 4 | S000080003 | Pawl Ø8* | 1 | S419190004 | Pin for knob | | |
| | 1 | S419200041 | Bushing Ø6.5xØ4x3 | 24 | 1 | S497400080 | Knob W46 rewind | |
| 4 | 4 | S000380001 | Pawl Spring Ø8* | 25 | 1 | A94165200 | Assy socket W46 Rewind Socket Handle W46 Rewind | |
| 5 | 1 | S413000004 | Pin Ø9x55 | 1 | S414940085 | Washer Ø25xØ15x4 | | |
| 6 | 1 | S279090002 | Washer Ø36xØ9,5x1 | 1 | S414930003 | Nut Screw for Disconnect Rod | | |
| 7 | 1 | S412970004 | Gear Z20 | 1 | M0679797 | O ring RC 2025 series | | |
| 8 | 1 | S412850041 | Pinion Z13 | 26 | 1 | M0624103 | Screw M4x16 UNI5931 | |
| 9 | 1 | S413070004 | Pin Ø9xØ12x32.5 | 27 | 1 | S418590001 | Spring Ø10.67x12.7 rif.SPEC C0420-035-0500S | |
| | 2 | S414900080 | Bushing Ø12xØ14x8 | 28 | 1 | S416530004 | Pin for switch W46 Rewind | |
| 11 | 1 | A96639700 | Assy Housing Winch 40 RW Support W40 rewind Heli-coil M6x9 | 29 | 1 | M0624203 | Screw M6x30 | |
| | 2 | S414890080 | Bushing Ø9xØ11x7 | 30 | 1 | S663950004 | Main shaft W40 Rewind | |
| | 1 | S4130900A7 | Bushing Ø22xØ25x8.5 | 31 | 1 | S663980002 | Disconnect rod 40 Rewind | |
| 12 | 6 | M0635103 | Socket head screw M6x16 UNI 5931 | 32 | 1 | S416240041 | Gear Z23 | |
| 13 | 1 | S413150082 | Washer Ø62xØ80x1.5 | 33 | 1 | S664060004 | Pawls carrier Ø8xN2 W40.2 RW | |
| 14 | 2 | A74136000 | Bearing Ø56xØ68x24 | 34 | 1 | S416260041 | Disconnect flange | |
| 15 | | | Winch Serial Number Sticker | 35 | 2 | M0614103 | Ball 5-16" inox | |
| 16 | 1 | S4129400A0 | Stripper arm support | 36 | 1 | M0616603 | Seeger Ring UNI 7435:1975 - Ø28 mat. 17-7 Ph | |
| 17 | 1 | S281680097 | Red line | 37 | 1 | M0630802 | SMALLEY RING SSR0137-S17 | |
| 18 | 4 | M0601803 | Screw UNI EN ISO 1207:1996 - M6x35 - A4 | 38 | 1 | S664050043 | Drum C W40 RW | |
| 19 | 3 | M6007103 | Screw M6x50 UNI6107 | 39 | 1 | A96639400 | Assy jaws Winch 40 Rewind Lower Jaw W40 Rewind | |
| 20 | 1 | S6640300A5 | Cover 2 speed W40 RW | | 4 | S385970001 | Upper Jaw W35/40 SPRING | |

*Available with service kit; see website www.harken.com

**Winch product sticker



40 Rewind™ STCW EL Winch

CW = chrome/white

| Pos. | Q.ty | Code | Description | Pos. | Q.ty | Code | Description |
|------|------|-------------|--|------|--|-------------------------------------|--|
| 1 | 1 | A96639600 | Assy Base Winch 40 EL/HY <i>Base W40 rewind Heli-coil M6x9</i> | 21 | 1 | A76639100 | Stripper arm W40 Rewind <i>Stripper arm W40 C Rewind</i> |
| | 1 | S4130900A7 | <i>Bushing Ø22xØ25x8.5</i> | | 1 | S6639200F0 | <i>Peeler W40 Rewind</i> |
| | 1 | S413960085 | <i>Bushing Ø9xØ11x12</i> | | 1 | S419170080 | <i>Slider</i> |
| | 1 | S413330085 | <i>Bushing Ø12xØ14x11</i> | | 1 | S416570001 | <i>Spring stripper arm W46 Rewind</i> |
| | 1 | M6009463 | <i>Spring loaded ball plunger Ø6</i> | | 1 | S416580041 | <i>Bushing</i> |
| | 1 | S664020052 | <i>Spacer</i> | | 2 | M0619003 | <i>Screw M5x20 UNI 6109</i> |
| | 1 | S413350080 | <i>Roller Ø6x19</i> | | 22 | A74165000 | Command for W46 Rewind |
| | 2 | 1 | A96640100W | | Assembly Skirt Winch 40 RAL 9003 <i>Skirt W40 Rewind RAL 9003 Winch Product Sticker**</i> | 23 | 1 |
| 3 | 4 | S000080003 | Pawl Ø8* | 1 | S419190004 | <i>Pin for knob</i> | |
| 4 | 4 | S000380001 | Pawl Spring Ø8* | 1 | S419200041 | <i>Bushing Ø6.5xØ4x3</i> | |
| 5 | 1 | S413000004 | Pin Ø9x55 | 24 | 1 | S497400080 | Knob W46 rewind |
| 6 | 1 | S279090002 | Washer Ø36xØ9,5x1 | 25 | 1 | A94165200 | Assy socket W46 Rewind <i>Socket Handle W46 Rewind</i> |
| 7 | 1 | S412970004 | Gear Z20 | 1 | S414940085 | <i>Washer Ø25xØ15x4</i> | |
| 8 | 1 | S412850041 | Pinion Z13 | 1 | S414930003 | <i>Nut Screw for Disconnect Rod</i> | |
| 9 | 1 | S413070004 | Pin Ø9xØ12x32.5 | 1 | M0679797 | <i>O ring RC 2025 series</i> | |
| 10 | 1 | A76639900 | Assy Gear Z20 <i>Gear Z20</i> | 26 | 1 | M0624103 | Screw M4x16 UNI5931 |
| | 2 | S414900080 | <i>Bushing Ø12xØ14x8</i> | 27 | 1 | S418590001 | Spring Ø10.67x12.7 rif.SPEC C0420-035-0500S |
| 11 | 1 | A96639700 | Assy Housing Winch 40 RW <i>Support W40 rewind Heli-coil M6x9</i> | 28 | 1 | S416530004 | Pin for switch W46 Rewind |
| | 2 | S414890080 | <i>Bushing Ø9xØ11x7</i> | 29 | 1 | M0624203 | Screw M6x30 |
| | 1 | S4130900A7 | <i>Bushing Ø22xØ25x8.5</i> | 30 | 1 | S663950004 | Main shaft W40 Rewind |
| 12 | 6 | M0635103 | Socket head screw M6x16 UNI 5931 | 31 | 1 | S663980002 | Disconnect rod 40 Rewind |
| 13 | 1 | S413150082 | Washer Ø62xØ80x1.5 | 32 | 1 | S416240041 | Gear Z23 |
| 14 | 2 | A74136000 | Bearing Ø56xØ68x24 | 33 | 1 | S664060004 | Pawls carrier Ø8xN2 W40.2 RW |
| 15 | | | Winch Serial Number Sticker | 34 | 1 | S416260041 | Disconnect flange |
| 16 | 1 | S4129400A0 | Stripper arm support | 35 | 2 | M0614103 | Ball 5-16" inox |
| 17 | 1 | S281680097 | Red line | 36 | 1 | M0616603 | Seeger Ring UNI 7435:1975 - Ø28 mat. 17-7 Ph |
| 18 | 4 | M0601803 | Screw UNI EN ISO 1207:1996 - M6x35 - A4 | 37 | 1 | M0630802 | SMALLEY RING SSR0137-S17 |
| 19 | 3 | M6007103 | Screw M6x50 UNI6107 | 38 | 1 | S664050043 | Drum 40 C rewind |
| 20 | 1 | S6640300A5W | Cover 2 Speed W40 RW RAL 9003 | 39 | 1 | A96639400W | Assy jaws Winch 40 Rewind RAL 9003 <i>Lower Jaw W40 Upper Jaw W35/40 RAL 9003</i> |
| | | | | 4 | S385970001 | <i>SPRING</i> | |

*Available with service kit; see website www.harken.com

**Winch product sticker



40 Rewind™ STBBB EL Winch

BBB = all bronze

| Pos. | Q.ty | Code | Description | Pos. | Q.ty | Code | Description |
|------|------|------------|---|------|------|------------|---|
| 1 | 1 | A96639600 | Assy Base Winch 40 EL/HY <i>Base W40 rewind</i> | 21 | 1 | A76939100 | Stripper arm W40 BBB Rewind |
| | | | <i>Heli-coil M6x9</i> | | 1 | S6639200F0 | <i>Stripper arm W40 C Rewind</i> |
| | 1 | S4130900A7 | <i>Bushing Ø22xØ25x8.5</i> | | 1 | S419170080 | <i>Peeler W40 Rewind</i> |
| | 1 | S413960085 | <i>Bushing Ø9xØ11x12</i> | | 1 | S416570001 | <i>Slider</i> |
| | 1 | S413330085 | <i>Bushing Ø12xØ14x11</i> | | 1 | S416580041 | <i>Spring stripper arm W46 Rewind</i> |
| | 1 | M6009463 | <i>Spring loaded ball plunger Ø6</i> | | 1 | S416580041 | <i>Bushing</i> |
| | 1 | S664020052 | <i>Spacer</i> | | 2 | M0619003 | <i>Screw M5x20 UNI 6109</i> |
| | 1 | S413350080 | <i>Roller Ø6x19</i> | 22 | 1 | A74165000 | Command for W46 Rewind |
| 2 | 1 | A96939500 | Assembly Skirt Winch 40 BBB Rewind <i>Skirt W40 BBB Rewind</i> <i>Winch Product Sticker**</i> | 23 | 1 | A96640000 | Assy knob W40 Rewind <i>Knob W40 Rewind</i> <i>Heli-coil M4x8</i> |
| 3 | 4 | S000080003 | Pawl Ø8* | | 1 | S419190004 | <i>Pin for knob</i> |
| 4 | 4 | S000380001 | Pawl Spring Ø8* | | 1 | S419200041 | <i>Bushing Ø6.5xØ4x3</i> |
| 5 | 1 | S413000004 | Pin Ø9x55 | 24 | 1 | S497400080 | Knob W46 rewind |
| 6 | 1 | S279090002 | Washer Ø36xØ9,5x1 | 25 | 1 | A94165200 | Assy socket W46 Rewind <i>Socket Handle W46 Rewind</i> |
| 7 | 1 | S412970004 | Gear Z20 | | 1 | S414940085 | <i>Washer Ø25xØ15x4</i> |
| 8 | 1 | S412850041 | Pinion Z13 | | 1 | S414930003 | <i>Nut Screw for Disconnect Rod</i> |
| 9 | 1 | S413070004 | Pin Ø9xØ12x32.5 | | 1 | M0679797 | <i>O ring RC 2025 series</i> |
| 10 | 1 | A76639900 | Assy Gear Z20 <i>Gear Z20</i> | 26 | 1 | M0624103 | Screw M4x16 UNI5931 |
| | 2 | S414900080 | <i>Bushing Ø12xØ14x8</i> | 27 | 1 | S418590001 | Spring Ø10.67x12.7 rif.SPEC C0420-035-0500S |
| 11 | 1 | A96639700 | Assy Housing Winch 40 RW <i>Support W40 rewind</i> <i>Heli-coil M6x9</i> | 28 | 1 | S416530004 | Pin for switch W46 Rewind |
| | 2 | S414890080 | <i>Bushing Ø9xØ11x7</i> | 29 | 1 | M0624203 | Screw M6x30 |
| | 1 | S4130900A7 | <i>Bushing Ø22xØ25x8.5</i> | 30 | 1 | S663950004 | Main shaft W40 Rewind |
| 12 | 6 | M0635103 | Socket head screw M6x16 UNI 5931 | 31 | 1 | S663980002 | Disconnect rod 40 Rewind |
| 13 | 1 | S413150082 | Washer Ø62xØ80x1.5 | 32 | 1 | S416240041 | Gear Z23 |
| 14 | 2 | A74136000 | Bearing Ø56xØ68x24 | 33 | 1 | S664060004 | Pawls carrier Ø8xN2 W40.2 RW |
| 15 | | | Winch Serial Number Sticker** | 34 | 1 | S416260041 | Disconnect flange |
| 16 | 1 | S4129400A0 | Stripper arm support | 35 | 2 | M0614103 | Ball 5-16" inox |
| 17 | 1 | S281680097 | Red line | 36 | 1 | M0616603 | Seeger Ring UNI 7435:1975 - Ø28 mat. 17-7 Ph |
| 18 | 4 | M0601803 | Screw UNI EN ISO 1207:1996 - M6x35 - A4 | 37 | 1 | M0630802 | SMALLEY RING SSR0137-S17 |
| 19 | 3 | M6007103 | Screw M6x50 UNI6107 | 38 | 1 | S693960043 | Drum W40 BBB Rewind |
| 20 | 1 | A76939700 | Cover W40 BBB Rewind | 39 | 1 | A96939900 | Assy jaws Winch 40 BBB Rewind <i>Lower Jaw W40 BBB Rewind</i> <i>Upper Jaw W35/40</i> |
| | | | | | 4 | S385970001 | <i>SPRING</i> |

*Available with service kit; see website www.harken.com

**Winch product sticker



40 Rewind™ STCCC EL Winch

CCC = All-Chrome bronze

| Pos. | Q.ty | Code | Description | Pos. | Q.ty | Code | Description |
|------|------|------------|--|------|---|------------|---|
| 1 | 1 | A96639600 | Assy Base Winch 40 EL/HY <i>Base W40 rewind Heli-coil M6x9</i> | 21 | 1 | A76639100 | Stripper arm W40 Rewind <i>Stripper arm W40 C Rewind</i> |
| | 1 | S4130900A7 | <i>Bushing Ø22xØ25x8.5</i> | | 1 | S6639200F0 | <i>Peeler W40 Rewind</i> |
| | 1 | S413960085 | <i>Bushing Ø9xØ11x12</i> | | 1 | S419170080 | <i>Slider</i> |
| | 1 | S413330085 | <i>Bushing Ø12xØ14x11</i> | | 1 | S416570001 | <i>Spring stripper arm W46 Rewind</i> |
| | 1 | M6009463 | <i>Spring loaded ball plunger Ø6</i> | | 1 | S416580041 | <i>Bushing</i> |
| | 1 | S664020052 | <i>Spacer</i> | | 2 | M0619003 | <i>Screw M5x20 UNI 6109</i> |
| | 1 | S413350080 | <i>Roller Ø6x19</i> | | 22 | A74165000 | Command for W46 Rewind |
| | 2 | 1 | A96939300 | | Assembly Skirt Winch 40 CCC Rewind <i>Skirt W40 CCC Rewind Winch Product Sticker**</i> | 23 | 1 |
| 3 | 4 | S000080003 | Pawl Ø8* | 1 | S419190004 | | |
| 4 | 4 | S000380001 | Pawl Spring Ø8* | 1 | S419200041 | | |
| 5 | 1 | S413000004 | Pin Ø9x55 | 24 | 1 | S497400080 | Knob W46 rewind |
| 6 | 1 | S279090002 | Washer Ø36xØ9,5x1 | 25 | 1 | A94165200 | Assy socket W46 Rewind <i>Socket Handle W46 Rewind Washer Ø25xØ15x4 Nut Screw for Disconnect Rod O ring RC 2025 series</i> |
| 7 | 1 | S412970004 | Gear Z20 | 1 | S414940085 | | |
| 8 | 1 | S412850041 | Pinion Z13 | 1 | S414930003 | | |
| 9 | 1 | S413070004 | Pin Ø9xØ12x32.5 | 1 | M0679797 | | |
| 10 | 1 | A76639900 | Assy Gear Z20 <i>Gear Z20</i> | 26 | 1 | M0624103 | Screw M4x16 UNI5931 |
| | 2 | S414900080 | <i>Bushing Ø12xØ14x8</i> | 27 | 1 | S418590001 | Spring Ø10.67x12.7 rif.SPEC C0420-035-0500S |
| 11 | 1 | A96639700 | Assy Housing Winch 40 RW <i>Support W40 rewind Heli-coil M6x9</i> | 28 | 1 | S416530004 | Pin for switch W46 Rewind |
| | 2 | S414890080 | <i>Bushing Ø9xØ11x7</i> | 29 | 1 | M0624203 | Screw M6x30 |
| | 1 | S4130900A7 | <i>Bushing Ø22xØ25x8.5</i> | 30 | 1 | S663950004 | Main shaft W40 Rewind |
| 12 | 6 | M0635103 | Socket head screw M6x16 UNI 5931 | 31 | 1 | S663980002 | Disconnect rod 40 Rewind |
| 13 | 1 | S413150082 | Washer Ø62xØ80x1.5 | 32 | 1 | S416240041 | Gear Z23 |
| 14 | 2 | A74136000 | Bearing Ø56xØ68x24 | 33 | 1 | S664060004 | Pawls carrier Ø8xN2 W40.2 RW |
| 15 | | | Winch Serial Number Sticker | 34 | 1 | S416260041 | Disconnect flange |
| 16 | 1 | S4129400A0 | Stripper arm support | 35 | 2 | M0614103 | Ball 5-16" inox |
| 17 | 1 | S281680097 | Red line | 36 | 1 | M0616603 | Seeger Ring UNI 7435:1975 - Ø28 mat. 17-7 Ph |
| 18 | 4 | M0601803 | Screw UNI EN ISO 1207:1996 - M6x35 - A4 | 37 | 1 | M0630802 | SMALLEY RING SSR0137-S17 |
| 19 | 3 | M6007103 | Screw M6x50 UNI6107 | 38 | 1 | S664050043 | Drum 40 C rewind |
| 20 | 1 | A76939400 | Cover W40 CCC Rewind | 39 | 1 | A96939800 | Assy jaws Winch 40 CCC Rewind <i>Lower Jaw W40 CCC Rewind Upper Jaw W35/40 RAL9003 SPRING</i> |
| | | | | 4 | S385970001 | | |

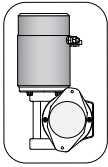
*Available with service kit; see website www.harken.com

**Winch product sticker

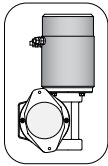


Horizontal electric motor 12V/24V

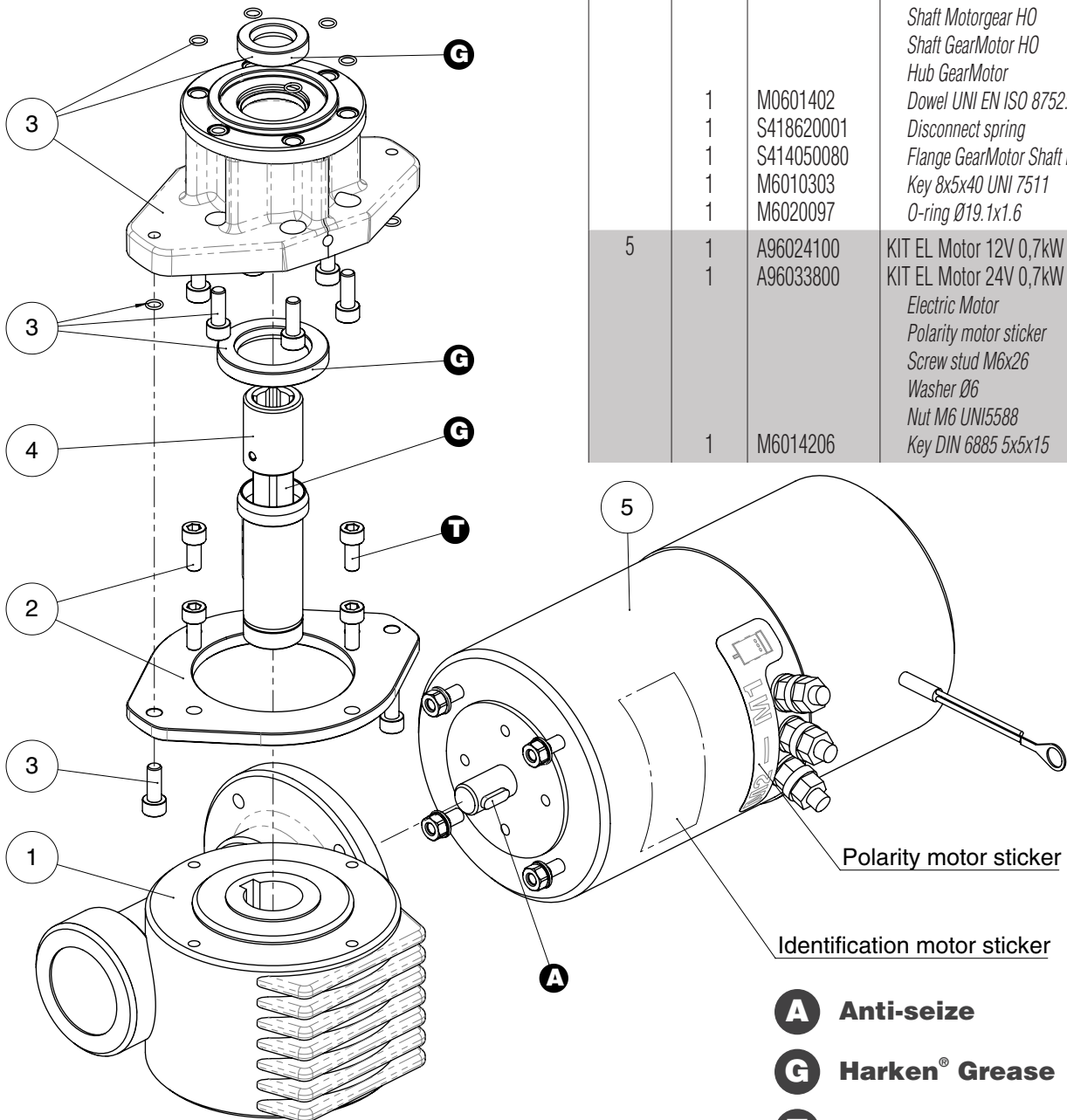
TOP VIEW



* Motor installed in right-hand configuration.



** Motor installed in left-hand configuration.



| Pos. | Q.ty | Code | Description |
|------|----------|---------------------|--|
| 1 | 1 | A93127900 | KIT Gear Reduction 1/24 |
| | 1 | A94194900 | KIT LM Gear Reduction 1/24 |
| 2 | 1 | A94149200 | KIT Assy Electric Motor Flange |
| | 1 | A94149200L | KIT Assy Electric Motor Flange Left |
| | 4 | M0606803 | Electric Motor Flange Screw M6x14 UNI 5931 |
| 3 | 1 | A94149500 | KIT EL HO Motor Flange |
| | 8 | S415360003 | Horizontal Motorgear Flange Screw M6x16 UNI EN ISO 5931:2003 precote coating |
| | 8 | M6015697 | O-Ring Seal ORM 0055-10 (Ø5,5xØ1) |
| | 1 | M6007297 | Lip seal Ø17xØ30x7 |
| | 1 | M0612097 | Sealer Ø30xØ47x7 |
| 4 | 1 | A94161600 | KIT EL HO Motor Clutch |
| | | | Shaft Motorgear HO |
| | | | Shaft GearMotor HO |
| | | | Hub GearMotor |
| | 1 | M0601402 | Dowel UNI EN ISO 8752:2000- Ø4x24 |
| | 1 | S418620001 | Disconnect spring |
| | 1 | S414050080 | Flange GearMotor Shaft HO |
| 1 | M6010303 | Key 8x5x40 UNI 7511 | |
| 1 | M6020097 | O-ring Ø19.1x1.6 | |
| 5 | 1 | A96024100 | KIT EL Motor 12V 0,7kW |
| | 1 | A96033800 | KIT EL Motor 24V 0,7kW |
| | | | Electric Motor |
| | | | Polarity motor sticker |
| | | | Screw stud M6x26 |
| | | | Washer Ø6 |
| | | | Nut M6 UNI5588 |
| | 1 | M6014206 | Key DIN 6885 5x5x15 |

- A** Anti-seize
- G** Harken® Grease
- T** Axial Threadlocker