

Harken® limited worldwide warranty

Refer to the Harken® Limited Worldwide Warranty in the Harken® Catalogue and on the website www.harken.com

Ordering spare parts

Spare parts can be requested from Harken® as described in the Harken® Limited Worldwide Warranty, indicating the part number in the Parts List and including the serial number of the winch for which the parts are required.

The serial number of the winch is printed on a plate on the drum support of the winch.



Manufacturer

Harken® Italy S.p.A.

Via Marco Biagi, 14
22070 Limido Comasco (CO) Italy
Tel: (+39) 031.3523511
Fax: (+39) 031.3520031
Email: info@harken.it
Web: www.harken.com

- **Tech Service**
Email: techservice@harken.it
- **Customer Service**
Tel: (+39) 031.3523511
Email: info@harken.it

Headquarters

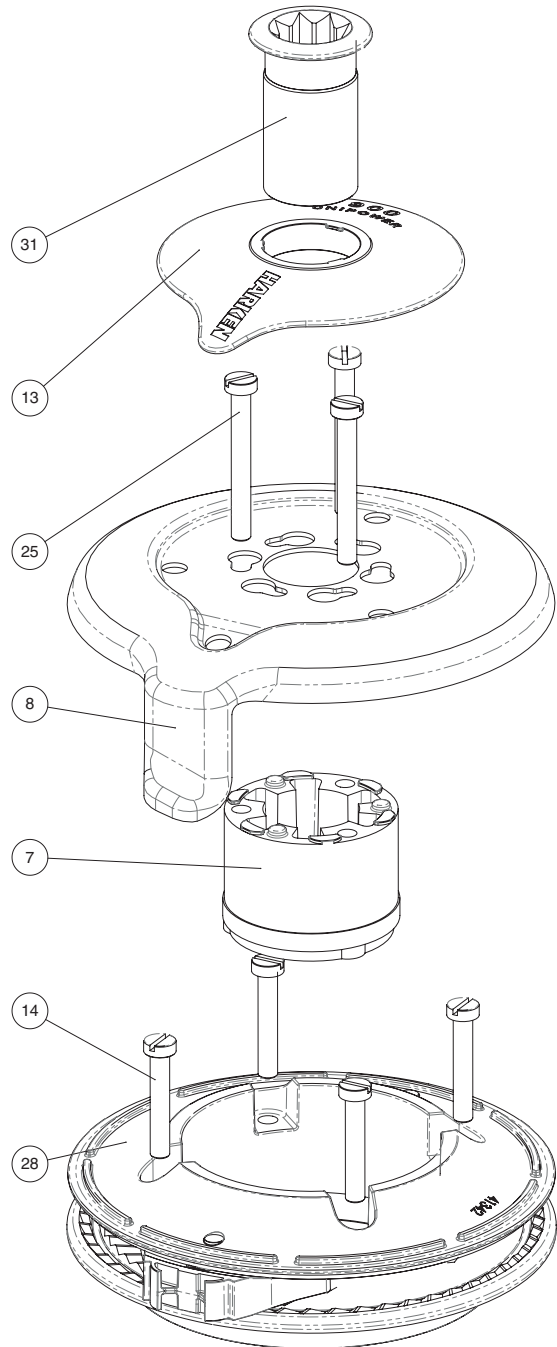
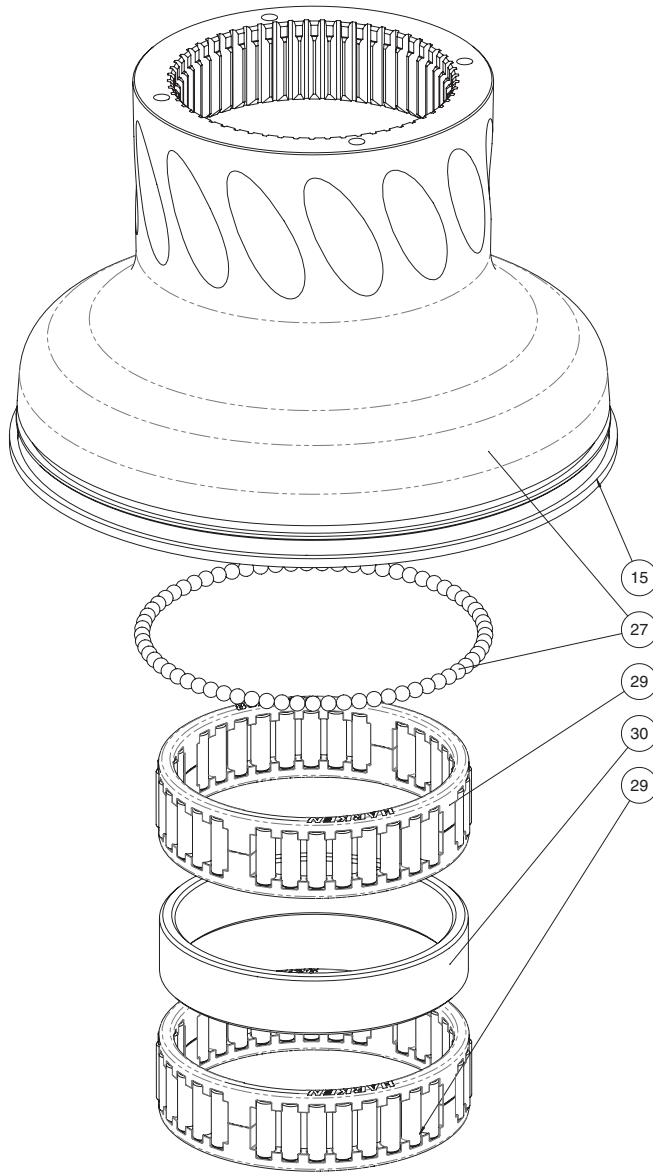
Harken®, Inc.

1251 East Wisconsin Avenue
Pewaukee, Wisconsin 53072-3755 USA
Tel: (262) 691.3320
Fax: (262) 691.3008
Email: harken@harken.com
Web: www.harken.com

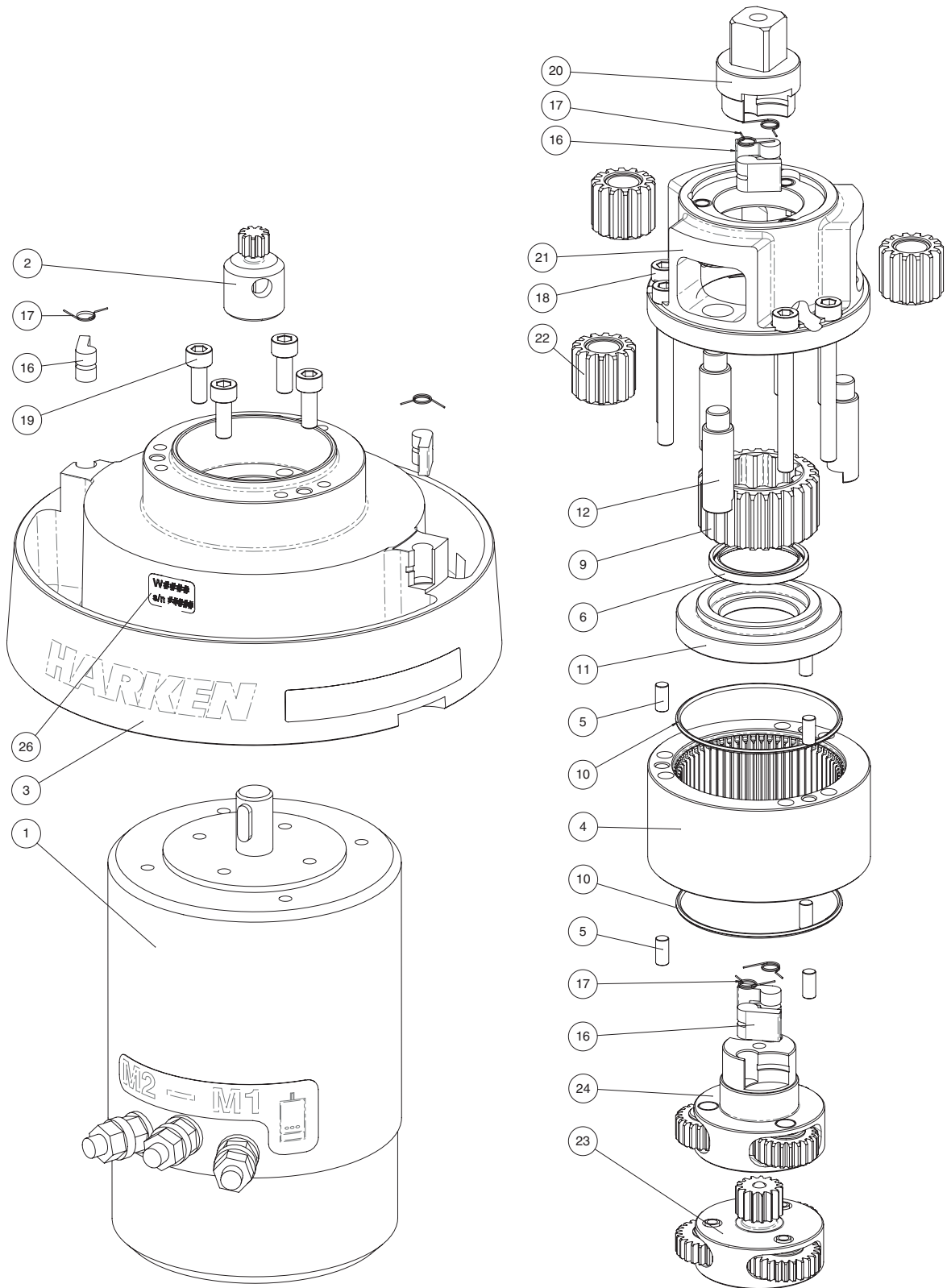
- **Tech Service**
Email: technicalservice@harken.com
- **Customer Service**
Tel: (262) 691-3320
Email: customerservice@harken.com

Exploded view

Winch Radial UniPower 900 A, C, CW, BBB, CCC



Winch Radial UniPower 900 A, C, CW, BBB, CCC



Parts List

UniPower 900 A

A = drum in anodised aluminium

Pos.	Q.ty	Code	Description	Pos.	Q.ty	Code	Description
1	1	A94953300	Kit Motor 0,7kW 12V Unipower 900	22	3	A94903900	Gear assembly Z=10
	1	A96508600	Kit Motor 0,9kW 24V Unipower 900		1	S490390004	Gear Z=14
			<i>Electric motor</i>		1	M6017594	Bushing Igus GFM-121418-20
	1	M6014206	<i>Polarity motor sticker</i>	23	1	A94909800	First planetary assy
			<i>Key DIN 6885 5x5x15</i>				<i>Gear Carrier</i>
2	1	S490310004	Pinion Z=9				<i>Gear z=26</i>
3	1	A94903300	Assy base Unipower 900				<i>Ball 3/16"</i>
			<i>Support Unipower 900</i>				<i>Pin Ø6</i>
			<i>Winch Product Sticker**</i>				<i>Bushing Igus XSM-0608-10</i>
4	1	S490340004	Ring gear Z=63	24	1	A94910000	Second planetary assy
5	6	S450660003	Roller Ø5x10.5				<i>Pawl Carrier</i>
6	1	M0648397	Seal Ø30xØ38x4 NBR				<i>Gear Z=23</i>
7	1	S4129400A0	Stripper arm support				<i>Pin Ø8</i>
8	1	S413440019	Stripper arm W50				<i>Bushing Igus XSM 0810-12</i>
9	1	S490780004	Gear Z=27	25	3	M6007103	Screw M6x50 UNI6107
10	2	M6004597	O Ring 2237	26			Winch Serial Number Sticker
11	1	S490800080	Flange	27	1	A94904200	Assy Drum Unipower
12	3	S490810004	Pin Ø12		69	M0619580	<i>Drum Unipower 900</i>
13	1	S4908800A5	Cover Unipower 900				<i>Ball 3/16"</i>
14	4	M0601803	Screw UNI EN ISO 1207:1996 - M6x35 - A4	28	1	A94907700	Assy Jaws Unipower 900
15	1	S281690097	Red line		1	S414280080	<i>Lower jaw W50</i>
16	6	S000080003	Pawl Ø8*		4	S385970001	<i>Upper jaw Unipower 900</i>
17	6	S000380001	Pawl Spring Ø8*				<i>Peeler W46 - 50</i>
18	6	M0606103	Screw M6x60 UNI5931				<i>SPRING</i>
19	4	M0635103	Socket head screw M6x16 UNI 5931	29	2	A74135100	Bearing Ø85xØ97x26
20	1	S490960004	Pawls carrier	30	1	S413520080	Spacer
21	1	A94904100	Gear carrier	31	1	A94136400	Assy Socket W20-80
			<i>Gear carrier</i>				<i>Socket Handle W20/80</i>
			<i>Heli-coil M6x9</i>		1	S415130085	<i>Washer Ø7.7xØ25x5.8</i>
	3	S414890080	<i>Bushing Ø9xØ11x7</i>		1	M0614303	<i>Screw M8x20 UNI 6109</i>

*Available with service kit; see website www.harken.com

**Winch product sticker



UniPower 900 C

C = drum in chrome bronze

Pos.	Q.ty	Code	Description	Pos.	Q.ty	Code	Description	
1	1	A94953300	Kit Motor 0,7kW 12V Unipower 900	22	3	A94903900	Gear assembly Z=10	
	1	A96508600	Kit Motor 0,9kW 24V Unipower 900 <i>Electric motor</i>		1	S490390004	<i>Gear Z=14</i>	
	1	M6014206	<i>Polarity motor sticker</i> <i>Key DIN 6885 5x5x15</i>		1	M6017594	<i>Bushing Iigus GFM-121418-20</i>	
2	1	S490310004	Pinion Z=9	23	1	A94909800	First planetary assy <i>Gear Carrier</i> <i>Gear z=26</i> <i>Ball 3/16"</i> <i>Pin Ø6</i> <i>Bushing Iigus XSM-0608-10</i>	
3	1	A94903300	Assy base Unipower 900 <i>Support Unipower 900</i> <i>Winch Product Sticker**</i>		24	1	A94910000	Second planetary assy <i>Pawl Carrier</i> <i>Gear Z=23</i> <i>Pin Ø8</i> <i>Bushing Iigus XSM 0810-12</i>
4	1	S490340004	Ring gear Z=63			25	3	M6007103
5	6	S450660003	Roller Ø5x10.5	26				Winch Serial Number Sticker
6	1	M0648397	Seal Ø30xØ38x4 NBR	27	1		A94946100	Assy Unipower 900 C Drum <i>Drum Unipower 900 C</i> <i>Ball 3/16"</i>
7	1	S4129400A0	Stripper arm support		28	69	M0619580	
8	1	S413440019	Stripper Arm W50			29	1	A94907700
9	1	S490780004	Gear Z=27	30			2	A74135100
10	2	M6004597	O Ring 2237		31		1	S413520080
11	1	S490800080	Flange			1	A94136400	Assy Socket W20-80 <i>Socket Handle W20/80</i> <i>Washer Ø7.7xØ25x5.8</i> <i>Screw M8x20 UNI 6109</i>
12	3	S490810004	Pin Ø12	1			S415130085	
13	1	S4908800A5	Cover Unipower 900		1		M0614303	
14	4	M0601803	Screw UNI EN ISO 1207:1996 - M6x35 - A4					
15	1	S281690097	Red line					
16	6	S000080003	Pawl Ø8*					
17	6	S000380001	Pawl Spring Ø8*					
18	6	M0606103	Screw M6x60 UNI5931					
19	4	M0635103	Socket head screw M6x16 UNI 5931					
20	1	S490960004	Pawls carrier					
21	1	A94904100	Gear carrier <i>Gear carrier</i> <i>Heli-coil M6x9</i> <i>Bushing Ø9xØ11x7</i>					
	3	S414890080						

*Available with service kit; see website www.harken.com

**Winch product sticker



UniPower 900 CW

CW = chrome/white

Pos.	Q.ty	Code	Description	Pos.	Q.ty	Code	Description	
1	1	A94953300	Kit Motor 0,7kW 12V Unipower 900	22	3	A94903900	Gear assembly Z=10	
	1	A96508600	Kit Motor 0,9kW 24V Unipower 900		1	S490390004	Gear Z=14	
	1	M6014206	Electric motor Polarity motor sticker Key DIN 6885 5x5x15		1	M6017594	Bushing Iigus GFM-121418-20	
2	1	S490310004	Pinion Z=9	23	1	A94909800	First planetary assy Gear Carrier Gear z=26 Ball 3/16" Pin Ø6 Bushing Iigus XSM-0608-10	
3	1	A96726400W	Assy base Unipower 900 RAL9003		24	1	A94910000	Second planetary assy Pawl Carrier Gear Z=23 Pin Ø8 Bushing Iigus XSM 0810-12
	1	S6620800A5W	Support Unipower 900 Skirt Unipower 900 RAL9003 Winch Product Sticker**					
4	1	S490340004	Ring gear Z=63	25	3	M6007103	Screw M6x50 UNI6107	
5	6	S450660003	Roller Ø5x10.5	26			Winch Serial Number Sticker	
6	1	M0648397	Seal Ø30xØ38x4 NBR	27	1	A94946100	Assy Unipower 900 C Drum	
7	1	S4129400A0	Stripper arm support		69	M0619580	Drum Unipower 900 C Ball 3/16"	
8	1	S413440019	Stripper Arm W50	28	1	A94907700W	Assy jaws Unipower 900 RAL9003	
9	1	S490780004	Gear Z=27		1	S414280080W	Lower Jaw W50 RAL9003	
10	2	M6004597	O Ring 2237	4	S385970001	Upper jaw Unipower 900 RAL9003 Peeler W46 - 50 RAL9003 SPRING		
11	1	S490800080	Flange	29	2	A74135100	Bearing Ø85xØ97x26	
12	3	S490810004	Pin Ø12	30	1	S413520080	Spacer	
13	1	S4908800A5W	Cover Unipower 900 RAL9003	31	1	A94136400	Assy Socket W20-80	
14	4	M0601803	Screw UNI EN ISO 1207:1996 - M6x35 - A4		1	S415130085	Socket Handle W20/80	
15	1	S281690097	Red line	1	M0614303	Washer Ø7.7xØ25x5.8 Screw M8x20 UNI 6109		
16	6	S000080003	Pawl Ø8*					
17	6	S000380001	Pawl Spring Ø8*					
18	6	M0606103	Screw M6x60 UNI5931					
19	4	M0635103	Socket head screw M6x16 UNI 5931					
20	1	S490960004	Pawls carrier					
21	1	A94904100	Gear carrier					
	3	S414890080	Gear carrier Heli-coil M6x9 Bushing Ø9xØ11x7					

*Available with service kit; see website www.harken.com

**Winch product sticker



UniPower 900 BBB

BBB = all bronze

Pos.	Q.ty	Code	Description	Pos.	Q.ty	Code	Description	
1	1	A94953300	Kit Motor 0,7kW 12V Unipower 900	22	3	A94903900	Gear assembly Z=10	
	1	A96508600	Kit Motor 0,9kW 24V Unipower 900 <i>Electric motor</i>		1	S490390004	<i>Gear Z=14</i>	
	1	M6014206	<i>Polarity motor sticker</i> <i>Key DIN 6885 5x5x15</i>		1	M6017594	<i>Bushing Iigus GFM-121418-20</i>	
2	1	S490310004	Pinion Z=9	23	1	A94909800	First planetary assy <i>Gear Carrier</i> <i>Gear z=26</i> <i>Ball 3/16"</i> <i>Pin Ø6</i> <i>Bushing Iigus XSM-0608-10</i>	
3	1	A96940600	Assy base Unipower 900 BBB <i>Support UniPower 900 CCC-BBB</i>		24	1	A94910000	Second planetary assy <i>Pawl Carrier</i> <i>Gear Z=23</i> <i>Pin Ø8</i> <i>Bushing Iigus XSM 0810-12</i>
	1	S694060043	<i>Skirt for base UP900 BBB</i> <i>Winch Product Sticker**</i>					
4	1	S490340004	Ring gear Z=63	25	3	M6007103	Screw M6x50 UNI6107	
5	6	S450660003	Roller Ø5x10.5	26			Winch Serial Number Sticker	
6	1	M0648397	Seal Ø30xØ38x4 NBR	27	1	A96940500	Assy Unipower 900 Drum BBB	
7	1	S4129400A0	Stripper arm support	1	S694050043	<i>Drum Unipower 900 BBB</i>		
8	1	S693340019	Stripper Arm W50 BBB	69	M0619580	<i>Ball 3/16"</i>		
9	1	S490780004	Gear Z=27	28	1	A96998100	Assy jaws UniPower 900 BBB <i>Lower Jaw W50 BBB</i> <i>Upper jaw Unipower 900</i> <i>Peeler W46 - 50</i> <i>SPRING</i>	
10	2	M6004597	O Ring 2237		1	S414280080	<i>SPRING</i>	
11	1	S490800080	Flange		4	S385970001		
12	3	S490810004	Pin Ø12	29	2	A74135100	Bearing Ø85xØ97x26	
13	1	A76940700	Cover Unipower 900 BBB	30	1	S413520080	Spacer	
14	4	M0601803	Screw UNI EN ISO 1207:1996 - M6x35 - A4	31	1	A94136400	Assy Socket W20-80 <i>Socket Handle W20/80</i>	
15	1	S281690097	Red line		1	S415130085	<i>Washer Ø7.7xØ25x5.8</i>	
16	6	S000080003	Pawl Ø8*		1	M0614303	<i>Screw M8x20 UNI 6109</i>	
17	6	S000380001	Pawl Spring Ø8*					
18	6	M0606103	Screw M6x60 UNI5931					
19	4	M0635103	Socket head screw M6x16 UNI 5931					
20	1	S490960004	Pawls carrier					
21	1	A94904100	Gear carrier <i>Gear carrier</i> <i>Heli-coil M6x9</i>					
	3	S414890080	<i>Bushing Ø9xØ11x7</i>					

*Available with service kit; see website www.harken.com

**Winch product sticker



UniPower 900 CCC

CCC = All-Chrome bronze

Pos.	Q.ty	Code	Description	Pos.	Q.ty	Code	Description	
1	1	A94953300	Kit Motor 0,7kW 12V Unipower 900	22	3	A94903900	Gear assembly Z=10	
	1	A96508600	Kit Motor 0,9kW 24V Unipower 900 <i>Electric motor</i>		1	S490390004	<i>Gear Z=14</i>	
	1	M6014206	<i>Polarity motor sticker</i> <i>Key DIN 6885 5x5x15</i>		1	M6017594	<i>Bushing Iigus GFM-121418-20</i>	
2	1	S490310004	Pinion Z=9	23	1	A94909800	First planetary assy <i>Gear Carrier</i> <i>Gear z=26</i> <i>Ball 3/16"</i> <i>Pin Ø6</i> <i>Bushing Iigus XSM-0608-10</i>	
3	1	A96940300	Assy base UniPower 900 CCC <i>Support UniPower 900 CCC-BBB</i>		24	1	A94910000	Second planetary assy <i>Pawl Carrier</i> <i>Gear Z=23</i> <i>Pin Ø8</i> <i>Bushing Iigus XSM 0810-12</i>
	1	S694030043	<i>Skirt for base UP900 CCC</i> <i>Winch Product Sticker**</i>					
4	1	S490340004	Ring gear Z=63	25	3	M6007103	Screw M6x50 UNI6107	
5	6	S450660003	Roller Ø5x10.5	26			Winch Serial Number Sticker	
6	1	M0648397	Seal Ø30xØ38x4 NBR	27	1	A94946100	Assy Unipower 900 C Drum <i>Drum Unipower 900 C</i> <i>Ball 3/16"</i>	
7	1	S4129400A0	Stripper arm support		1	S494610043		
8	1	S413440019	Stripper Arm W50		69	M0619580		
9	1	S490780004	Gear Z=27	28	1	A96998300	Assy jaws UniPower 900 CCC <i>Lower Jaw W50 CCC</i> <i>Upper jaw Unipower 900 RAL9003</i> <i>Peeler W46 - 50 RAL9003</i> <i>SPRING</i>	
10	2	M6004597	O Ring 2237		1	S414280080W		
11	1	S490800080	Flange		4	S385970001		
12	3	S490810004	Pin Ø12	29	2	A74135100	Bearing Ø85xØ97x26	
13	1	A76940400	Cover Unipower 900 CCC	30	1	S413520080	Spacer	
14	4	M0601803	Screw UNI EN ISO 1207:1996 - M6x35 - A4	31	1	A94136400	Assy Socket W20-80 <i>Socket Handle W20/80</i> <i>Washer Ø7.7xØ25x5.8</i> <i>Screw M8x20 UNI 6109</i>	
15	1	S281690097	Red line		1	S415130085		
16	6	S000080003	Pawl Ø8*		1	M0614303		
17	6	S000380001	Pawl Spring Ø8*					
18	6	M0606103	Screw M6x60 UNI5931					
19	4	M0635103	Socket head screw M6x16 UNI 5931					
20	1	S490960004	Pawls carrier					
21	1	A94904100	Gear carrier <i>Gear carrier</i> <i>Heli-coil M6x9</i>					
	3	S414890080	<i>Bushing Ø9xØ11x7</i>					

*Available with service kit; see website www.harken.com

**Winch product sticker

