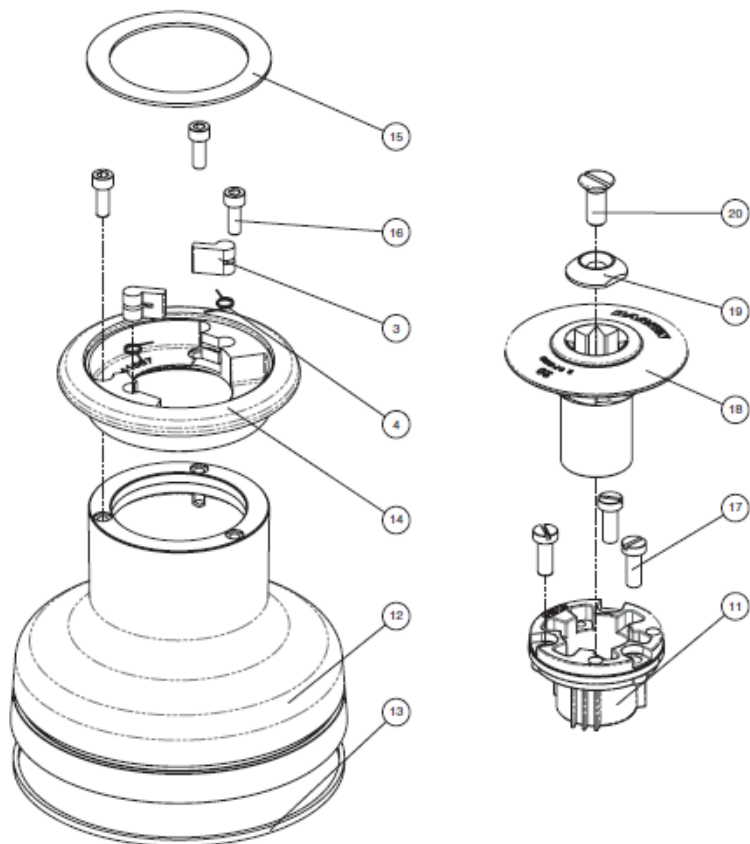
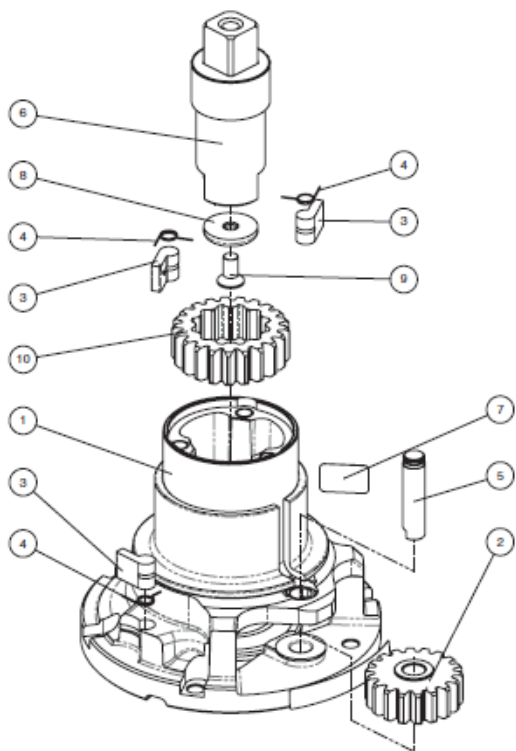


Radial Winch 20.2 PTBBB, PTCCC

Radial Winch 20.2 PTBBB, PTCCC

Radial Winch 20.2 PTBBB

BBB = all bronze

Pos.	Qty	Code	Description
1	1	A96874100	Assy housing Winch 20 Housing W20 CCC Half-coil M5x9
	1	S413740085	Bushing Ø9xØ11x9
	1	S413960085	Bushing Ø9xØ11x12
	1	S413720080	Bushing Ø5.5xØ5.5x4
	1	S413730082	Washer Ø3.5xØ5.5x5.5
	1	S4137100A7	Bushing Ø28xØ33x25
2	1	A94136700	Assy Gear Z18 Gear Z18
	2	S418730080	Bushing Ø9xØ11x7
3	6	S000080003	Pawl BB*
4	6	S000380001	Pawl Spring BB*
5	1	S413700004	Pin
6	1	S415660002	Central Shaft W20 PT
7			Winch Serial Number Sticker
8	1	S268800080	Washer
9	1	M0604003	Screw M6x12 UNI 5933
10	1	S413620041	Gear Z21
11	1	S4151400A0	Socket Support PT
12	1	S418650043	Drum 20 BBB
13	1	S281670097	Red line
14	1	S418670043	Plain top W20 BBB
15	1	S678720082	Washer Ø6.5xØ7.5x1.5
16	3	M0638803	Screw M5x14 UNI 5931
17	3	M0601903	Screw M6x16 UNI1207
18	1	S418640046	Socket PT BBB
19	1	S415130085	Washer Ø7.7xØ25x5.8
20	1	M0614303	Screw M8x20 UNI 6109
21			Winch Product Sticker**

*Available with service kit; see website www.harken.com

**Winch product sticker



Radial Winch 20.2 PTCCC

CCC = All-Chrome bronze

Pos.	Q.ty	Code	Description
1	1	A06874100	Assy Housing Winch 20 Housing W20 CCC Hel-coil M5x9
	1	S413740085	Bushing Ø5xØ11x9
	1	S413960085	Bushing Ø5xØ11x12
	1	S413720080	Bushing Ø5.5xØ5.5x34
	1	S413730082	Washer Ø33.5xØ5.5x5.5
	1	S4137100A7	Bushing Ø29xØ33x25
2	1	A04136700	Assy Gear Z18 Gear Z18
	2	S418730080	Bushing Ø5xØ11x7
3	6	S00080003	Pawl Ø8*
4	6	S000380001	Pawl Spring Ø8*
5	1	S413700004	Pin
6	1	S415660002	Central Shaft W20 PT
7			Winch Serial Number Sticker
8	1	S268890080	Washer
9	1	M0604003	Screw M6x12 UNI 5933
10	1	S413620041	Gear Z21
11	1	S4151400A0	Socket Support PT
12	1	S416690043	Drum C W20
13	1	S281670097	Red line
14	1	S416710043	Plain Top W20 C
15	1	S678720082	Washer Ø56.5xØ75x1.5
16	3	M0638803	Screw M5x14 UNI 5931
17	3	M0601903	Screw M6x16 UNI1207
18	1	S416680046	Socket PT C
19	1	S415130085	Washer Ø7.7xØ25x5.8
20	1	M0614303	Screw M8x20 UNI 6109
21			Winch Product Sticker**

*Available with service kit; see website www.harken.com

**Winch product sticker

