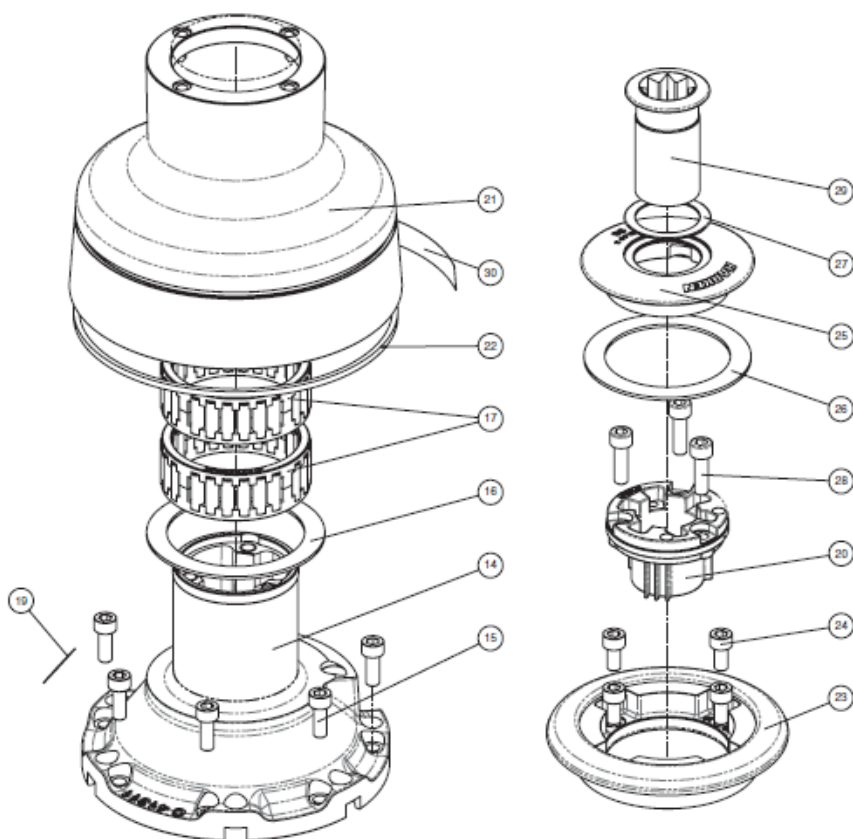
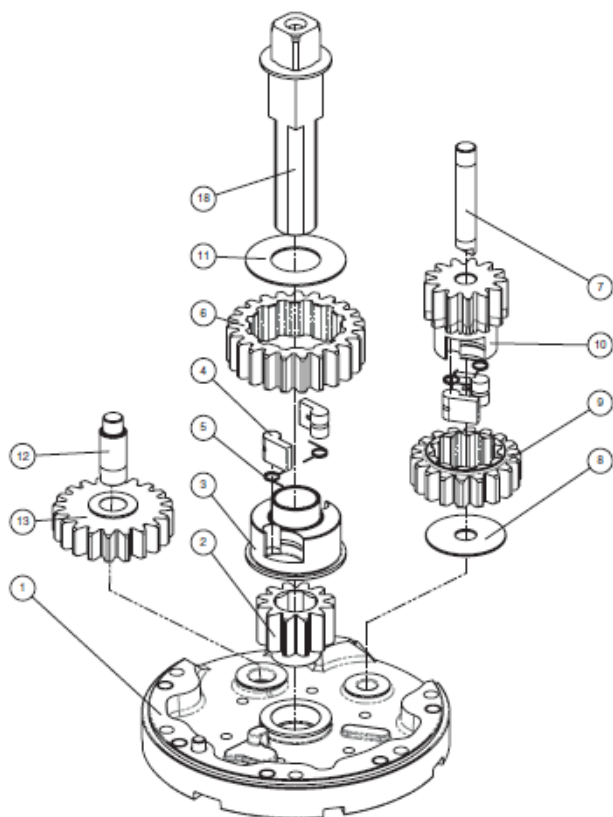


Radial Winch 35.2 PTBBB, PTCCC

Radial Winch 35.2 PTBBB, PTCCC

Radial Winch 35.2 PTBBB

BBB = all bronze

| Pos. | Q.ty | Code | Description | Pos. | Q.ty | Code | Description |
|------|------|------------|----------------------------------|------|------|-------------|-----------------------------|
| 1 | 1 | A06633100 | PERFORMA Assy Base Winch 35 | 16 | 1 | S413150082 | Washer Ø62xØ80x1.5 |
| | | | PERFORMA Base W35 | 17 | 2 | A74136000 | Bearing Ø56xØ68x24 |
| | 1 | S413350080 | Half-coil M6x9 | 18 | 1 | A04151900 | Assy Central Shaft W35 |
| | 1 | S4152300A7 | Roller Ø6x19 | | | | Central shaft W35/40 PT |
| | 1 | S413960085 | Bushing Ø22xØ25xØ.5 | | 1 | S413880002 | Washer Ø17.2xØ32x1.5 |
| | 1 | S413330085 | Bushing Ø9xØ11x12 | 19 | | | Winch Serial Number Sticker |
| | 1 | S413330085 | Bushing Ø12xØ14x11 | 20 | 1 | S4151400A0 | Socket Support PT |
| 2 | 1 | S413020004 | Gear Z12 | 21 | 1 | S688170043 | Drum W35 BBB |
| 3 | 1 | S413030004 | Pawls Carrier Ø9xN2 | 22 | 1 | S2816800097 | Red line |
| 4 | 4 | S000080003 | Pawl Ø8* | 23 | 1 | S688040043 | Plain Top W35/40 BBB |
| 5 | 4 | S000380001 | Pawl Spring Ø8* | 24 | 4 | M0603703 | Screw M6x12 UNI 5831 |
| 6 | 1 | S412830041 | Gear Z23 | 25 | 1 | S688130043 | Cover W35 PT BBB |
| 7 | 1 | S413000004 | Pin Ø9x55 | 26 | 1 | S678720082 | Washer Ø56.5xØ75x1.5 |
| 8 | 1 | S279000002 | Washer Ø36xØ19.5x1 | 27 | 1 | S415220080 | PT spacer |
| 9 | 1 | S415650004 | Patchet Gear Z18 | 28 | 3 | M0600903 | Screw M6x20 UNI5831 |
| 10 | 1 | S412850041 | Pinion Z13 | 29 | 1 | A04136400 | Assy Socket W20-80 |
| 11 | 1 | S413120002 | Washer Ø22.5xØ45x1 | | | | Socket Handle W20/80 |
| 12 | 1 | S413070004 | Pin Ø9xØ12x32.5 | | 1 | S415130085 | Washer Ø7.7xØ25x5.8 |
| 13 | 1 | A04130500 | Assy Gear Z20 | | 1 | M0614303 | Screw M6x20 UNI 6109 |
| | | | Gear Z20 | 30 | | | Winch Product Sticker** |
| | 2 | S414900080 | Bushing Ø12xØ14x8 | | | | |
| 14 | 1 | A04131100 | Assy Housing Winch 35 | | | | |
| | | | Housing Winch 35 | | | | |
| | | | Half-coil M6x9 | | | | |
| | 2 | S414880080 | Bushing Ø9xØ11x7 | | | | |
| | 1 | S4130900A7 | Bushing Ø22xØ25xØ.5 | | | | |
| 15 | 6 | M0635103 | Socket head screw M6x16 UNI 5831 | | | | |

*Available with service kit; see website www.harken.com

**Winch product sticker



Radial Winch 35.2 PTCCC

CCC = All-Chrome bronze

| Pos. | Q.ty | Code | Description | Pos. | Q.ty | Code | Description |
|------|------|------------|---|------|------|------------|---|
| 1 | 1 | A96633100 | Assy Base Winch 35 PERFORMA Base W35 Half-coil M5d9 Roller Ø8x19 | 16 | 1 | S413150082 | Washer Ø62xØ80x1.5 |
| | 1 | S413350080 | Bushing Ø22xØ25xØ5.5 | 17 | 2 | A74136000 | Bearing Ø56xØ69x24 |
| | 1 | S4152300A7 | Bushing Ø9xØ11x12 | 18 | 1 | A94151900 | Assy Central Shaft W35 Central shaft W35/40 PT Washer Ø17.2xØ32x1.5 |
| | 1 | S413960085 | Bushing Ø12xØ14x11 | 19 | 1 | S413880002 | Winch Serial Number Sticker |
| 2 | 1 | S413020004 | Gear Z12 | 20 | 1 | S4151400A0 | Socket Support PT |
| 3 | 1 | S413030004 | Pawls Carrier Ø9xØ2 | 21 | 1 | S681040043 | Drum W35 CCC |
| 4 | 4 | S00080003 | Pawl Ø8* | 22 | 1 | S281680097 | Red line |
| 5 | 4 | S00080001 | Pawl Spring Ø 8* | 23 | 1 | S68800043 | PLAIN TOP W35/W40 CCC |
| 6 | 1 | S412830041 | Gear Z23 | 24 | 4 | M0603703 | Screw M6x12 UNI 5931 |
| 7 | 1 | S413000004 | Pin Ø9x55 | 25 | 1 | S688090043 | COVER W35 PT CCC |
| 8 | 1 | S279090002 | Washer 36xØ5x1 | 26 | 1 | S678720082 | Washer Ø56.5xØ75x1.5 |
| 9 | 1 | S415650004 | Ratchet Gear Z18 | 27 | 1 | S415220080 | PT spacer |
| 10 | 1 | S412850041 | Pinion Z13 | 28 | 3 | M0600903 | Screw M6x20 UNI5931 |
| 11 | 1 | S413120002 | Washer Ø22.5xØ45x1 | 29 | 1 | A94136400 | Assy Socket W20-80 Socket Handle W20/80 Washer Ø7.7xØ25x5.8 Screw M6x20 UNI 6109 |
| 12 | 1 | S413070004 | Pin Ø9-Ø12x32.5 | 1 | 1 | S415130085 | Winch Product Sticker** |
| 13 | 1 | A94130500 | Assy Gear Z20 Gear Z20 Bushing Ø12xØ14x8 | 1 | 1 | M0614303 | |
| | 2 | S414900080 | | 30 | | | |
| 14 | 1 | A94131100 | Assy Housing Winch 35 Housing Winch 35 Half-coil M5d9 Bushing Ø9xØ11x7 Bushing Ø22xØ25xØ5.5 | | | | |
| | 2 | S414890080 | | | | | |
| | 1 | S4130900A7 | | | | | |
| 15 | 6 | M0635103 | Socket head screw M6x16 UNI 5931 | | | | |

*Available with service kit; see website www.harken.com

**Winch product sticker

