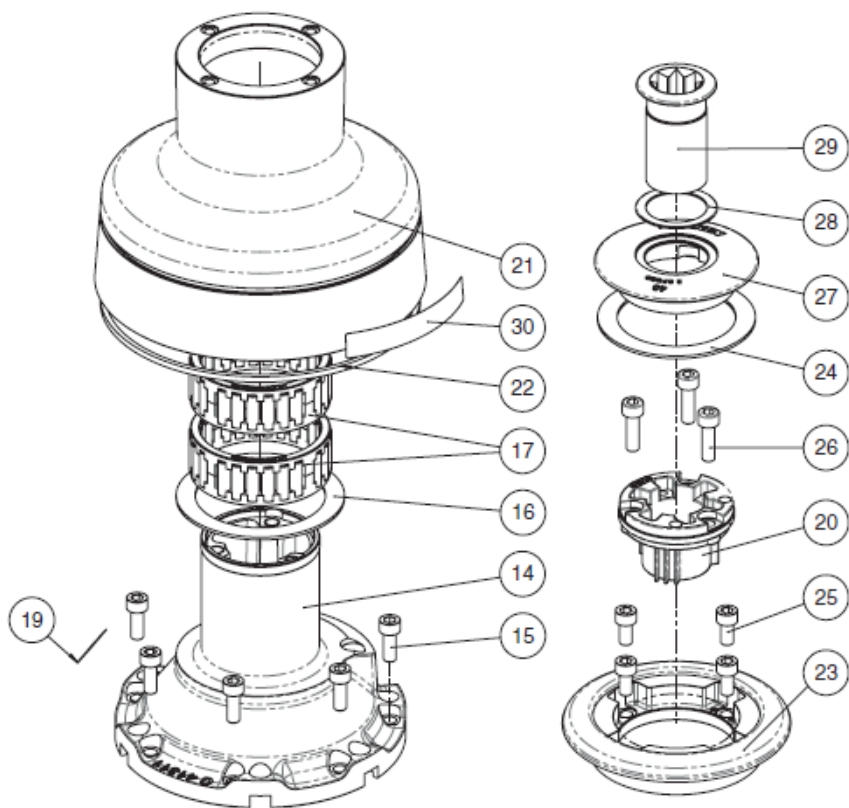
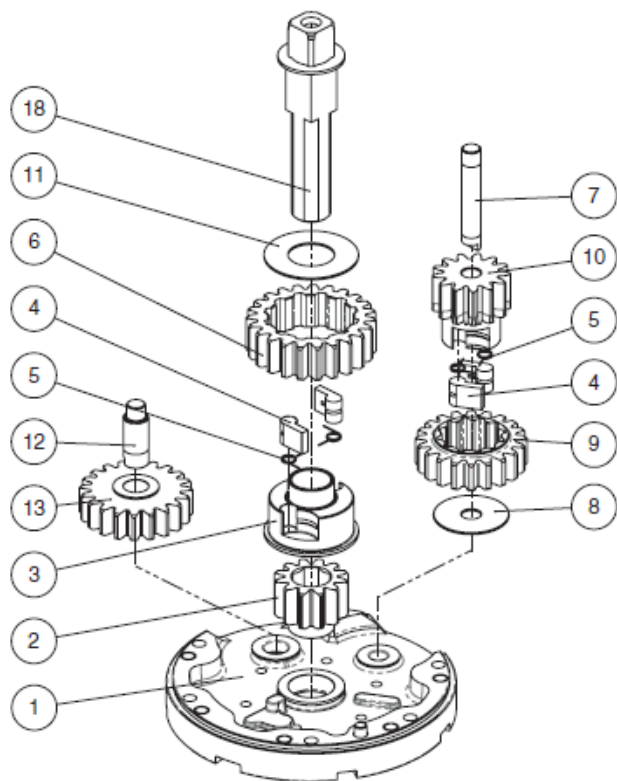


Radial Winch 40.2 PTBBB, PTCCC

Radial Winch 40.2 PTBBB, PTCCC

Radial Winch 40.2 PTBBB

BBB = all bronze

Pos.	Q.ty	Code	Description	Pos.	Q.ty	Code	Description
1	1	A9633200	PERFORMA Winch 40 Base Assy PERFORMA Base W40 Half-coil M5x9	16	1	S413150082	Washer Ø62xØ80x1.5
	1	S413350080	Roller Ø6x19	17	2	A74136000	Bearing Ø56xØ68x24
	1	S4152300A7	Bushing Ø22xØ25xØ.5	18	1	A94151900	Assy Central Shaft W35 Central shaft W35/40 PT
	1	S413960085	Bushing Ø9xØ11x12		1	S413880002	Washer Ø17.2xØ32x1.5
	1	S413330085	Bushing Ø12xØ14x11	19			Winch Serial Number Sticker
2	1	S413020004	Gear Z12	20	1	S4151400A0	Socket Support PT
3	1	S413030004	Pawls Carrier Ø9xN2	21	1	S688160043	Drum W40 BBB
4	4	S000080003	Pawl Ø8*	22	1	S281680097	Red line
5	4	S000380001	Pawl Spring Ø8*	23	1	S688040043	Plain Top W35/40 BBB
6	1	S412830041	Gear Z23	24	1	S678720082	Washer Ø56.5xØ75x1.5
7	1	S413000004	Pin Ø9x55	25	4	M0603703	Screw M6x12 UNI 5031
8	1	S279090002	Washer Ø36xØ9,5x1	26	3	M0600903	Screw M6x20 UNI5031
9	1	S412970004	Gear Z20	27	1	S688120043	Cover W40 PT BBB
10	1	S412850041	Pinion Z13	28	1	S415220080	PT spacer
11	1	S413120002	Washer Ø22.5xØ45x1	29	1	A94136400	Assy Socket W20-Ø0
12	1	S413070004	Pin Ø9xØ12xØ2.5		1	S415130085	Socket Handle W20/Ø0
13	1	A94130500	Assy Gear Z20		1	M0614303	Washer Ø7.7xØ25x1.5
	2	S414900080	Gear Z20 Bushing Ø12xØ14x8		1		Screw M6x20 UNI 6109
14	1	A94141500	Assy Housing Winch 40 Support W40 Half-coil M5x9	30			Winch Product Sticker**
	2	S414890080	Bushing Ø9xØ11x7				
	1	S4130900A7	Bushing Ø22xØ25xØ.5				
15	6	M0635103	Socket head screw M6x16 UNI 5031				

*Available with service kit; see website www.harken.com

**Winch product sticker



Radial Winch 40.2 PTCCC

CCC = All-Chrome bronze

Pos.	Q.ty	Code	Description	Pos.	Q.ty	Code	Description
1	1	A06633200	Winch 40 Base Assy PERFORMA Base W40 Heli-coil M6x9 Roller Ø6x19	16	1	S413150082	Washer Ø62xØ80x1.5
	1	S413350080	Bushing Ø22xØ25x6.5	17	2	A74136000	Bearing Ø56xØ68x24
	1	S4152300A7	Bushing Ø9xØ11x12	18	1	A94151900	Assy Central Shaft W35 Central shaft W35/40 PT Washer Ø17.2xØ32x1.5
	1	S413960085	Bushing Ø12xØ14x11		1	S413880002	Winch Serial Number Sticker
2	1	S413020004	Gear Z12	19			Winch Serial Number Sticker
3	1	S413030004	Pawls Camier Ø9xØ2	20	1	S4151400A0	Socket Housing PT
4	4	S00080003	Pawl Ø8*	21	1	S681050043	DRUM W40 CCC
5	4	S00080001	Pawl Spring Ø8*	22	1	S281680097	Red line
6	1	S412830041	Gear Z23	23	1	S688000043	PLAIN TOP W35/W40 CCC
7	1	S413000004	Pin Ø9x55	24	1	S678720082	Washer Ø56.5xØ75x1.5
8	1	S279090002	Washer 36x9,5x1	25	4	M0603703	Screw M6x12 UNI 5931
9	1	S412970004	Gear Z20	26	3	M0600903	Screw M6x20 UNI5931
10	1	S412850041	Pinion Z13	27	1	S688080043	COVER W40 PT CCC
11	1	S413120002	Washer Ø22.5xØ45x1	28	1	S415220080	PT spacer
12	1	S413070004	Pin Ø9-Ø12x32.5	29	1	A94136400	Assy Socket W20-80 Socket Handle W20/80 Washer Ø7.7xØ25x5.8
13	1	A94130500	Assy Gear Z20 Gear Z20 Bushing Ø12xØ14x8		1	S415130085	Washer Ø7.7xØ25x5.8
	2	S414900080	Bushing Ø12xØ14x8		1	M0614303	Screw M6x20 UNI 5931
14	1	A94141500	Assy Housing Winch 40 Housing W40 Heli-coil M6x9 Bushing Ø9xØ11x7 Bushing Ø22xØ25x6.5	30			Winch Product Sticker**
	2	S414890080	Bushing Ø9xØ11x7				
	1	S4130900A7	Bushing Ø22xØ25x6.5				
15	6	M0635103	Socket head screw M6x16 UNI 5931				

*Available with service kit; see website www.harken.com

**Winch product sticker

