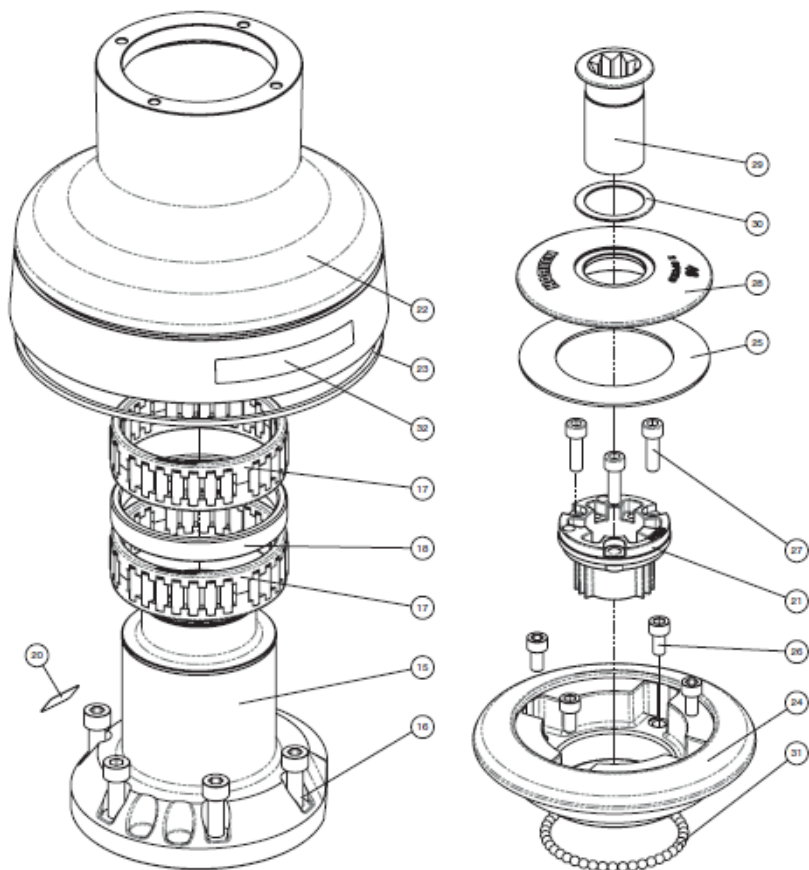
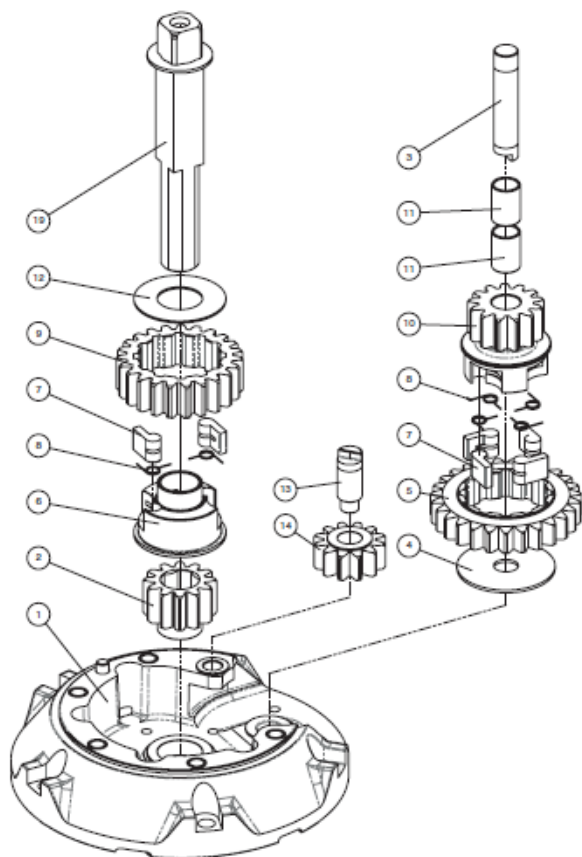


## Radial Winch 46.2 PTBBB, PTCCC



Radial Winch 46.2 PTBBB, PTCCC

Radial Winch 46.2 PTBBB

BBB = all bronze

Pos.	Q.ty	Code	Description	Pos.	Q.ty	Code	Description
1	1	A96633300	PERFORMA Assy Base Winch 46	18	1	S413390080	Spacer
			PERFORMA Base W46	19	1	A94189400	Assy Central Shaft Winch 46
			Half-coil M8x10				Central shaft W46 PT
	1	S413350080	Roller Ø6x19		1	S413880002	Washer Ø17.2xØ32x1.5
	1	S4152300A7	Bushing Ø22xØ25xØ.5	20			Winch Serial Number Sticker
	1	S414890080	Bushing Ø9xØ11x7	21	1	S4151400A0	Socket Support PT
	1	S413330085	Bushing Ø12xØ14x11	22	1	S688150043	Drum W46 BBB
2	1	S413020004	Gear Z12	23	1	S281690097	Red line
3	1	S413300004	Pin Ø12x60	24	1	S688030043	Plain Top W46 BBB
4	1	S278170002	Washer Ø12.5xØ48x1.5	25	1	S678730082	Washer Ø57.5xØ93x1.5
5	1	S413260004	Gear Z27	26	4	M0603703	Screw M6x12 UNI 5031
6	1	S414260004	Pawls Carrier Ø8xØ2	27	3	M0600903	Screw M6x20 UNI5031
7	6	S000080003	Pawl Ø8*	28	1	S688110043	Cover W46 PT BBB
8	6	S000380001	Pawl Spring Ø8*	29	1	A94136400	Assy Socket W20-Ø0
9	1	S412830041	Gear Z23				Socket Handle W20/Ø0
10	1	S413250041	Pinion Z13		1	S415130085	Washer Ø7.7xØ25x5.8
11	2	M6017694	IGUS Bushing PSM-1214-20		1	M0614303	Screw M6x20 UNI 6109
12	1	S413120002	Washer Ø22.5xØ45x1	30	1	S415220080	PT spacer
13	1	S413070004	Pin Ø9xØ12x32.5	31	43	M0619580	Ball 3/16"
14	1	A94133400	Assy Gear Z12	32			Winch Product Sticker**
			Gear Z12				
	2	S414900080	Bushing Ø12xØ14x8				
15	1	A94132200	Assy Housing Winch 46				
			Housing Winch 46				
			Half-coil M8xØ				
	1	S414900080	Bushing Ø12xØ14x8				
	1	S413330085	Bushing Ø12xØ14x11				
	1	S413320083	Bushing for support				
16	5	M0606303	Screw M8x25 UNI 5031				
17	2	A74133700	Bearing Ø75xØ87x26				

\*Available with service kit; see website [www.harken.com](http://www.harken.com)

\*\*Winch product sticker



Radial Winch 46.2 PTCCC

CCC = All-Chrome bronze

Pos.	Q.ty	Code	Description	Pos.	Q.ty	Code	Description
1	1	A96633300	PERFORMA Assy Base Winch 46 PERFORMA Base W46 Heli-coil M8x10	18	1	S413390080	Spacer
	1	S413350080	Roller Ø8x19	19	1	A94189400	Assy Central Shaft Winch 46 Central shaft W46 PT
	1	S4152300A7	Bushing Ø22xØ25xØ5		1	S413880002	Washer Ø17.2xØ32x1.5
	1	S414890080	Bushing Ø9xØ11x7	20			Winch Serial Number Sticker
	1	S413330085	Bushing Ø12xØ14x11	21	1	S4151400A0	Socket Housing PT
2	1	S413020004	Gear Z12	22	1	S681060043	Drum W46 CCC
3	1	S413300004	Pin Ø12x60	23	1	S281690097	Red line
4	1	S278170002	Washer 12.5x48x1.5	24	1	S687990043	Pain top W46 CCC
5	1	S413260004	Gear Z27	25	1	S678730082	Washer Ø57.5xØ93x1.5
6	1	S414260004	Pawls Carrier Ø9xN2	26	4	M0603703	Screw M6x12 UNI 5931
7	6	S000080003	Pawl Ø8"	27	3	M0600903	Screw M6x20 UNI5931
8	6	S000380001	Pawl Spring Ø8"	28	1	S688070043	Cover W46 PT CCC
9	1	S412830041	Gear Z23	29	1	A94136400	Assy Socket W20-80 Socket Handle W20/80
10	1	S413250041	Pinion Z13		1	S415130085	Washer Ø7.7xØ25x5.8
11	2	M6017694	IGUS Bushing PSM-1214-20		1	M0614303	Screw M6x20 UNI 6109
12	1	S413120002	Washer Ø22.5xØ45x1	30	1	S415220080	PT spacer
13	1	S413070004	Pin Ø9-Ø12x32.5	31	43	M0619580	Ball 3/16"
14	1	A94133400	Assy Gear Z12 Gear Z12	32			Winch Product Sticker**
	2	S414900080	Bushing Ø12xØ14x6				
15	1	A94132200	Assy Housing Winch 46 Housing Winch 46 Heli-coil M8x9				
	1	S414900080	Bushing Ø12xØ14x6				
	1	S413330085	Bushing Ø12xØ14x11				
	1	S413320083	Bushing for Housing				
16	5	M0606303	Screw M8x25 UNI 5931				
17	2	A74133700	Bearing Ø75xØ87x26				

\*Available with service kit; see website [www.harken.com](http://www.harken.com)

\*\*Winch product sticker

