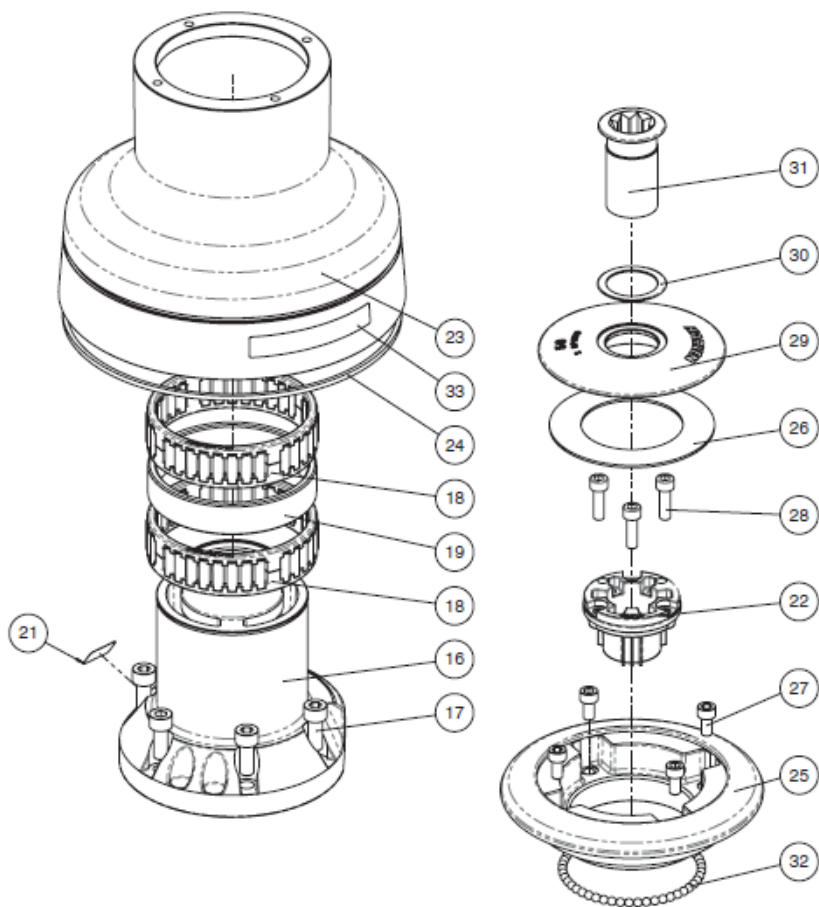
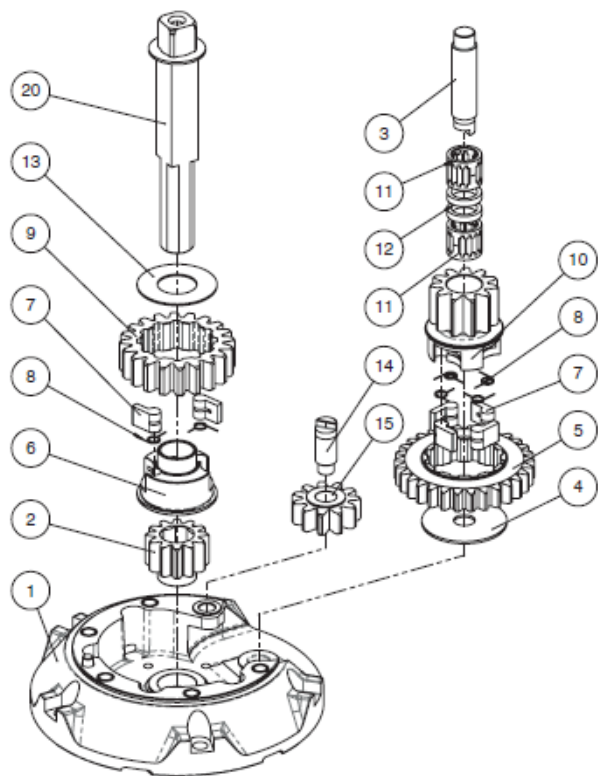


Radial Winch 50.2 PTBBB, PTCCC

Radial Winch 50.2 PTBBB, PTCCC

Radial Winch 50.2 PTBBB

BBB = all bronze

Pos.	Q.ty	Code	Description	Pos.	Q.ty	Code	Description
1	1	A06533400	PERFORMA Assy Base Winch 50 PERFORMA Base W50 Heli-coil M8x10	18	2	A74135100	Bearing Ø65xØ97x26
	1	S413350080	Roller Ø6x19	19	1	S413520080	Spacer
	1	S4152300A7	Bushing Ø22xØ25xØ.5	20	1	A94152000	Assy Central Shaft W50 Washer Ø17.2xØ32x1.5 Central shaft W50 PT
	1	S414890080	Bushing Ø9xØ11x1		1	S415200002	
	1	S413330085	Bushing Ø12xØ14x1	21			Winch Serial Number Sticker
2	1	S413020004	Gear Z12	22	1	S4151400A0	Socket Support PT
3	1	S416050004	Pin	23	1	S688140043	Drum W50 B
4	1	S278170002	Washer Ø12.5xØ94x1.5	24	1	S281690097	Red line
5	1	S412800041	Gear Z30	25	1	S688020043	Plain Top W50 PT BBB
6	1	S414260004	Pawls Carrier Ø9x12	26	1	S678730082	Washer Ø57.5xØ93x1.5
7	6	S000080003	Pawl Ø8*	27	4	M0603703	Screw M6x12 UNI 5931
8	6	S000380001	Pawl Spring Ø8*	28	3	M0600903	Screw M6x20 UNI5931
9	1	S415590041	Gear Z20	29	1	S688100043	Cover W50 PT BBB
10	1	S415610004	Pinion Z11	30	1	S415220080	PT spacer
11	2	A72821800	Roller Bearing Ø14xØ20x18	31	1	A94136400	Assy Socket W20-80 Socket Handle W20/80 Washer Ø17.2xØ25x1.5 Screw M6x20 UNI 6109
12	2	S281340080	Spacer roller bearings		1	S415130085	
13	1	S413120002	Washer Ø22.5xØ945x1		1	M0614303	
14	1	S413070004	Pin Ø9xØ12x32.5	32	50	M0619680	Ball 3/16"
15	1	A94156000	Assy Gear Z11 Gear Z11 Bushing Ø12xØ14xØ.5	33			Winch Product Sticker**
	2	S414900080					
16	1	A94134800	Assy Housing Winch 50 Housing Winch 50 Heli-coil M6x9 Bushing Ø12xØ14xØ.5 Bushing Ø12xØ14x1 Bushing for support				
	1	S414900080					
	1	S413330085					
	1	S413320083					
17	5	M0643203	Screw M8x20 UNI5931				

*Available with service kit; see website www.harken.com

**Winch product sticker



Radial Winch 50.2 PTCCC

CCC = All-Chrome bronze

Pos.	Q.ty	Code	Description	Pos.	Q.ty	Code	Description
1	1	A066334 00	PERFORMA Assy Base Winch 50 PERFORMA Base W50 Heli-coil M8x10 Roller Ø6x19	18	2	A74135100	Bearing Ø85xØ97x26
	1	S413350080		19	1	S413520080	Spacer
	1	S4152300A7	Bushing Ø22xØ25xØ5	20	1	A94152000	Assy Central Shaft W50 Washer Ø17.2xØ32x1.5 Central shaft W50 PT
	1	S414890080	Bushing Ø9xØ11x7		1	S415200002	
	1	S413330085	Bushing Ø12xØ14x11	21			Winch Serial Number Sticker
2	1	S413020004	Gear Z12	22	1	S4151400A0	Socket housing PT
3	1	S416260004	Pin	23	1	S681070043	Drum W50 CCC
4	1	S278170002	Washer 12.5x48x1.5	24	1	S281690097	Red line
5	1	S412800041	Gear Z30	25	1	S687980043	Plain top W50 CCC
6	1	S414260004	Pawls Carrier Ø9xN2	26	1	S678730082	Washer Ø57.5xØ93x1.5
7	6	S000080003	Pawl Ø8*	27	4	M0603703	Screw M6x12 UNI 5031
8	6	S000380001	Pawl Spring Ø8*	28	3	M0600903	Screw M6x20 UNI5031
9	1	S415590041	Gear Z20	29	1	S688060043	Cover W50PT CCC
10	1	S415610004	Pinion Z11	30	1	S415220080	PT spacer
11	2	A72821800	Roller Bearing 14/20*18	31	1	A94136400	Assy Socket W20-Ø0 Socket Handle W20/Ø0 Washer Ø7.7xØ25x5.8 Screw M6x20 UNI 6109
12	2	S281340080	Spacer roller bearings		1	S415130085	
13	1	S413120002	Washer Ø22.5xØ45x1		1	M0614303	
14	1	S413070004	Pin Ø9-Ø12x32.5	32	50	M0619580	Ball 3/16"
15	1	A94156000	Assy Gear Z11 Gear Z11 Bushing Ø12xØ14x8	33			Winch Product Sticker**
	2	S414900080					
16	1	A94134800	Assy Housing Winch 50 Housing Winch 50 Heli-coil M6xØ Bushing Ø12xØ14x8 Bushing Ø12xØ14x11 Bushing for housing				
	1	S414900080					
	1	S413330085					
	1	S413320083					
17	5	M0643203	Screw M6x20 UNI5031				

*Available with service kit; see website www.harken.com

**Winch product sticker

