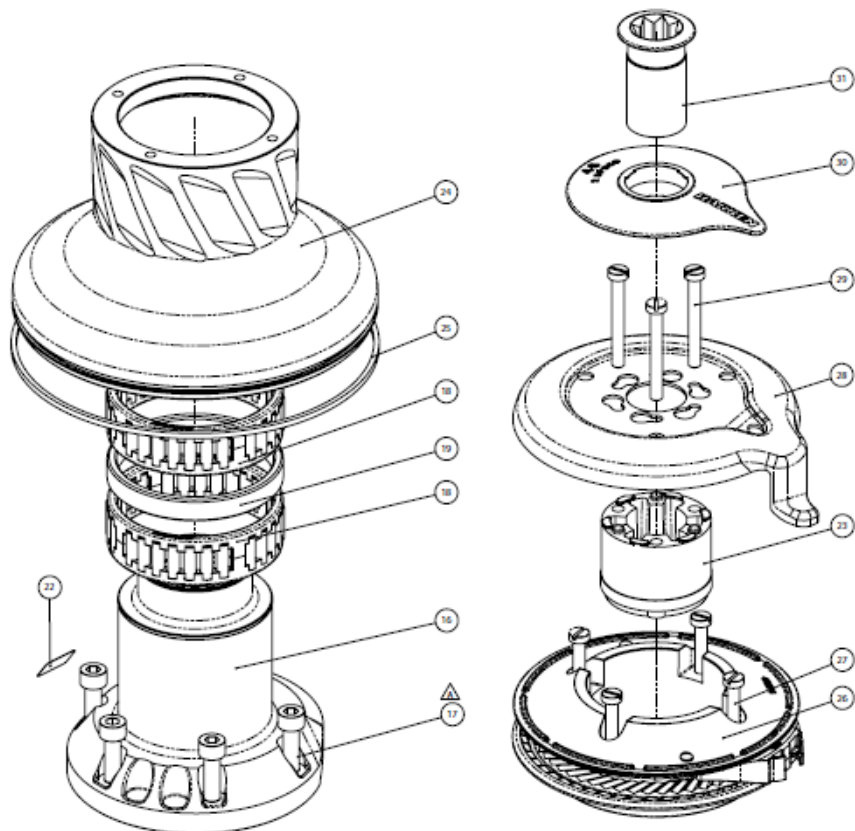


Exploded view



Parts List

Radial Winch 46.2 STA

A= drum in anodised aluminium

Pos.	Q.ty	Code	Description	Pos.	Q.ty	Code	Description
1	1	A 941897 00	Assy Base W46 EL/HY Base W46 Hel-coil M8x10 Roller Ø6x19 Bushing Ø22xØ25x8.5* Bushing Ø9xØ11x2** Bushing Ø12xØ14x1**	17	5	M0606303	Screw M8x25 UNI 5931
2	1	A 941323 00	Assy Skirt W46 Skirt W46 Winch Product Sticker**	18	2	A 741337 00	Bearing Ø75xØ87x25*
3	1	S 41302 00 04	Gear Z12	19	1	S 41339 00 80	Spacer*
4	1	S 41330 00 04	Pin Ø12x60	20	1	A 941610 00	Assy Central Shaft W46 EL/HY Central Shaft W46 EL/HY Washer Ø 17.2xØ32x1.5
5	1	S278170002	Washer 12.5x48x1.5*	21	1	S 41611 00 02	Disconnected Rod W46
6	1	S 41326 00 04	Gear Z27	22	1	S 41876 00 63	Winch Serial Number Sticker
7	1	S 41426 00 04	Pawls Carrier Ø6xØ2	23	1	S 41294 00 A0	Stripper arm support
8	6	S 00008 00 03	Pawl Ø8	24	1	S412720063	Drum A W46
9	6	S 00038 00 01	Pawl Spring Ø8	25	1	S281690007	Red line*
10	1	S 41293 00 41	Gear Z23	26	1	A 941273 00	Assy Jaws W46 Lower Jaw W46 Upper Jaw W46 Roller W46 Spring
11	1	S 41325 00 41	Pinion Z13	27	4	M0601803	Screw UNI EN ISO 1207:1996 - M6x35 - A4*
12	2	M6017694	IGUS Bushing PSM-1214-20*	28	1	S 41338 00 19	Stripper Arm W46
13	1	S 41312 00 02	Washer Ø22.5xØ45x1*	29	3	M6007103	Screw M6x50 UNI6107*
14	1	S 41307 00 04	Pin Ø9-Ø12x32.5	30	1	S 41270 00 A5	Cover 2 speed W46
15	1	A 941334 00	Assy Gear Z12 Gear Z12 Bushing Ø12xØ14x8*	31	1	A 941493 00	Assieme Socket W46 EL/HY Socket Handle W46 Washer Ø25xØ15x1 Nut Screw for Disconnect Rod O-ring RC 202 S series*
16	1	A 941322 00	Assy Housing W46 Housing W46 Bushing Ø12xØ14x8 Bushing Ø12xØ14x1 Hel-coil M8x9 Bushing for support				

*Service kit available; see winch kit section on the website www.harken.com

**Winch product sticker



Radial Winch 46.2 STC

C=drum in chromed bronze

Pos.	Q.ty	Code	Description	Pos.	Q.ty	Code	Description
1	1	A 941897 00	Assy Base W46 EL/HY Base W46 Half coil M6x10 Roller Ø6x19 Bushing Ø22xØ25xØ.5" Bushing Ø9xØ11x1" Bushing Ø12xØ14x11"	17	5	M0606303	Screw M8x25 UNI 5931
2	1	A 941323 00	Assy Skirt W46 Skirt W46 Winch Product Sticker**	18	2	A 741337 00	Bearing Ø75xØ87x26"
3	1	S 41302 00 04	Gear Z12	19	1	S 41339 00 80	Spacer*
4	1	S 41330 00 04	Pin Ø12xØ0	20	1	A 941610 00	Assy Central Shaft W46 EL/HY Central Shaft W46 EL/HY Washer Ø 17.2xØ32x1.5
5	1	S278170002	Washer 12.5x48x1.5"	21	1	S 41611 00 02	Disconnect Rod W46
6	1	S 41326 00 04	Gear Z27	22	1	S 41876 00 63	Winch Serial Number Sticker
7	1	S 41426 00 04	Pawls Carrier Ø6xØ2	23	1	S 41294 00 A0	Stripper arm support
8	6	S 00008 00 03	Pawl Ø8	24	1	S413240043	Drum C W46
9	6	S 00038 00 01	Pawl Spring Ø8	25	1	S261690097	Red line*
10	1	S 41283 00 41	Gear Z23	26	1	A 941273 00	Assy Jaws W46 Lower Jaw W46 Upper Jaw W46 Pawls W46 Spring
11	1	S 41325 00 41	Pinion Z13	27	4	M0601803	Screw UNI EN ISO 1207:1996 - M6x35 - A4*
12	2	M6017694	IGUS Bushing PSM-1214-20*	28	1	S 41338 00 19	Stripper Arm W46
13	1	S 41312 00 02	Washer Ø22.5xØ45x1"	29	3	M6007103	Screw M6x50 UNI6107*
14	1	S 41307 00 04	Pin Ø9-Ø12x32.5	30	1	S 41270 00 A5	Cover 2 speed W46
15	1	A 941334 00	Assy Gear Z12 Gear Z12 Bushing Ø12xØ14x8"	31	1	A 941493 00	Assieme Socket W46 EL/HY Socket Handle W46 Washer Ø 25xØ15x1 Nut Screw for Disconnect Rod O ring RC 202.5 series
16	1	A 941322 00	Assy Housing W46 Housing W46 Bushing Ø12xØ14x8 Bushing Ø12xØ14x11 Half coil M6x9 Bushing for support				

*Service kit available; see winch kit section on the website www.harken.com

**Winch product sticker



Radial Winch 46.2 STCW

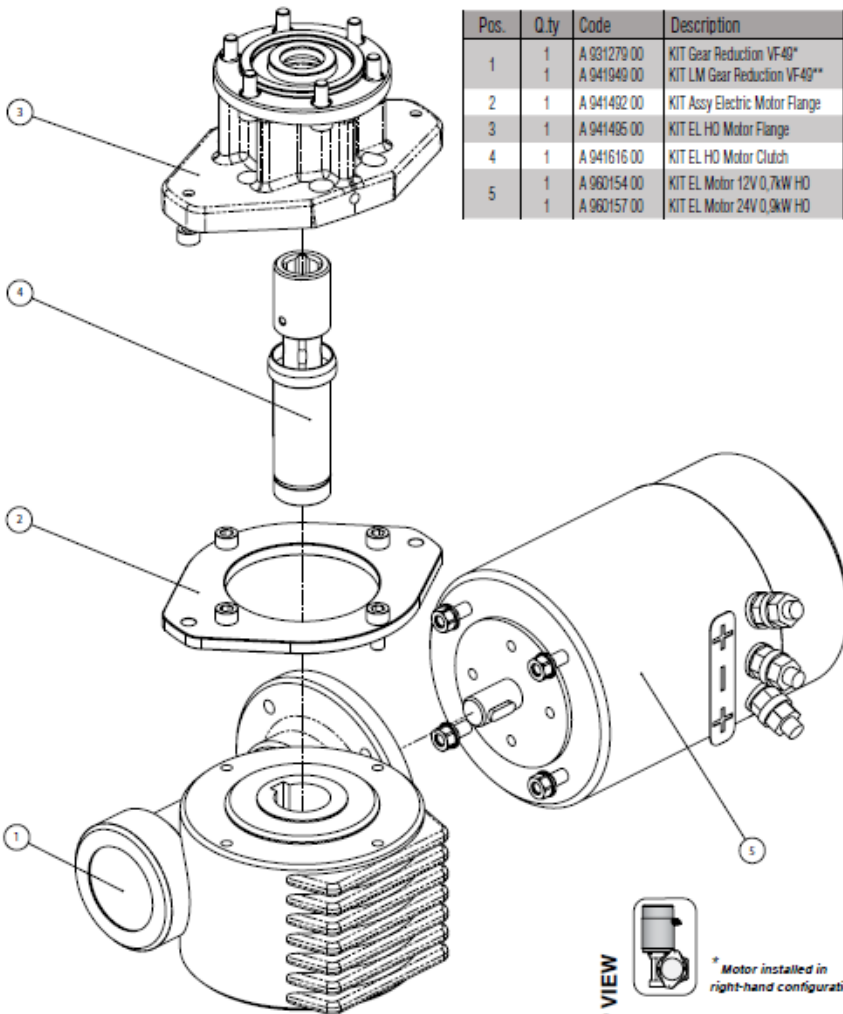
C=drum in chromed bronze W=components RAL 9003

Pos.	Q.ty	Code	Description	Pos.	Q.ty	Code	Description
1	1	A 941897 00	Assy Base W46 EL/HY Base W46 Hel-coil M8x10 Roller Ø6x19 Bushing Ø22xØ25xØ 5* Bushing Ø9xØ11x1* Bushing Ø12xØ14x11*	17	5	M0606303	Screw M8x25 UNI 5031
2	1	A 941323 00 W	Assy Skirt W46 RAL 9003 Skirt W46 RAL 9003 Winch Product Sticker**	18	2	A.741337 00	Bearing Ø75xØ87x26*
3	1	S 41302 00 04	Gear Z12	19	1	S.41339 00 80	Spacer*
4	1	S 41330 00 04	Pin Ø12x60	20	1	A 941610 00	Assy Central Shaft W46 EL/HY Central Shaft W46 EL/HY Washer Ø 17.2xØ32x1.5
5	1	S278170002	Washer 12.5x48x1.5*	21	1	S.41611 00 02	Disconnected Rod W46
6	1	S 41325 00 04	Gear Z27	22	1	S 41876 00 63	Winch Serial Number Sticker
7	1	S 41425 00 04	Pawls Carrier Ø8x12	23	1	S.41294 00 A0	Stripper arm support
8	6	S 00008 00 03	Pawl Ø8	24	1	S413240043	Drum C W46
9	6	S 00038 00 01	Pawl Spring Ø8	25	1	S281600097	Red line*
10	1	S 41283 00 41	Gear Z23	26	1	A 941273 00 W	Assy Jaws W46 RAL 9003 Lower Jaw W46 RAL 9003 Upper Jaw W46 RAL 9003 Pawler W46 RAL 9003 Spring
11	1	S 41325 00 41	Pinion Z13	27	4	M0601803	Screw UNI EN ISO 1207:1996 - M6x35 - A4*
12	2	M6017694	IGUS Bushing PSM-1214-20*	28	1	S 41338 00 19	Stripper Arm W46
13	1	S 41312 00 02	Washer Ø22.5xØ45x1*	29	3	M6007103	Screw M6x50 UNIS107*
14	1	S 41307 00 04	Pin Ø9-Ø12x32.5	30	1	S.41270 00 A5 W	Cover 2 speed W46 RAL 9003
15	1	A 941334 00	Assy Gear Z12 Gear Z12 Bushing Ø12xØ14x8*	31	1	A 941493 00	Assieme Socket W46 EL/HY Socket Handle W46 Washer Ø25xØ15x1 Nut Screw for Disconnect Rod O-ring RC 202.5series*
16	1	A 941322 00	Assy Housing W46 Housing W46 Bushing Ø12xØ14x8 Bushing Ø12xØ14x11 Hel-coil M6x9 Bushing for support				

*Service kit available; see winch kit section on the website www.harken.com

**Winch product sticker



Horizontal electric motor 12V / 24V


Pos.	Q.ty	Code	Description
1	1	A 931279 00	KIT Gear Reduction VF40*
1	1	A 941949 00	KIT LM Gear Reduction VF49**
2	1	A 941492 00	KIT Assy Electric Motor Flange
3	1	A 941495 00	KIT EL HO Motor Flange
4	1	A 941616 00	KIT EL HO Motor Clutch
5	1	A 960154 00	KIT EL Motor 12V 0,7kW HO
5	1	A 960157 00	KIT EL Motor 24V 0,9kW HO

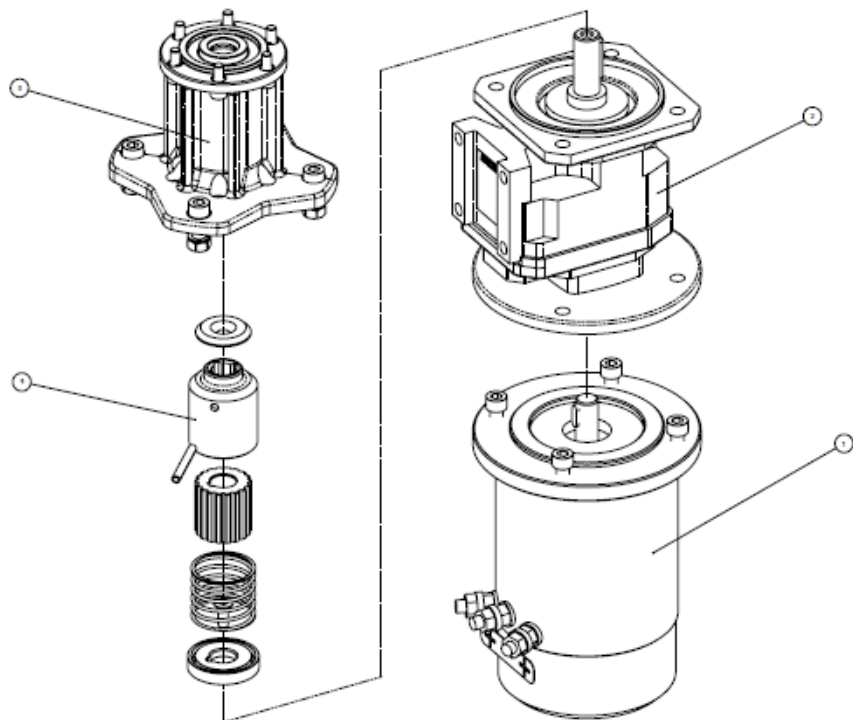
TOP VIEW


* Motor installed in right-hand configuration.



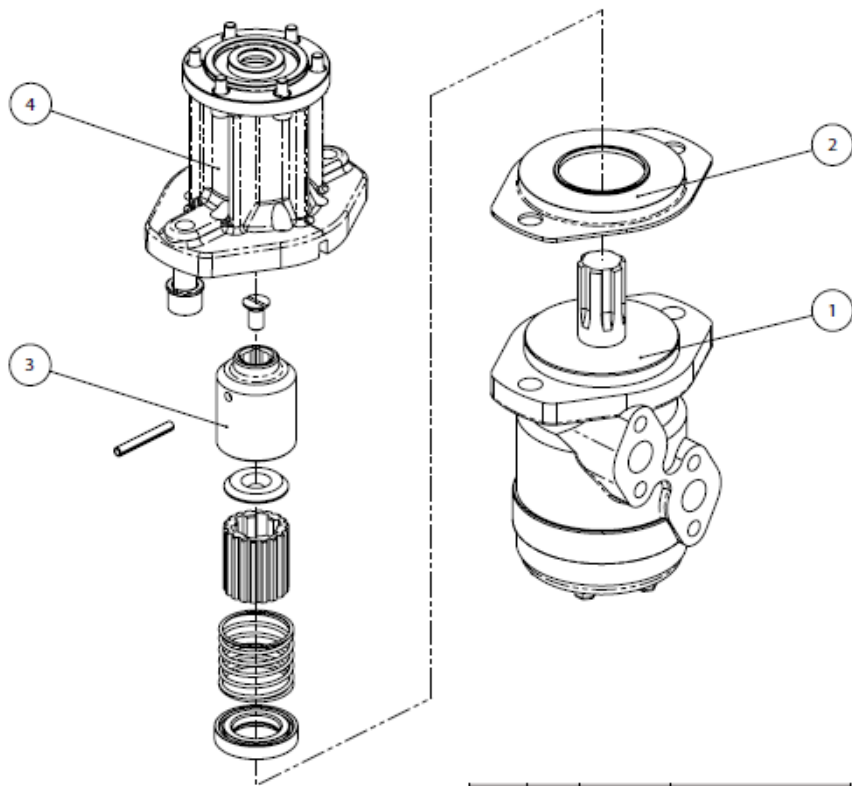
** Motor installed in left-hand configuration.

Vertical electric motor 12V / 24V



Pos.	Q.ty	Code	Description
1	1	A 960105 00	KIT EL Motor 12V 1,5kW VT
1	1	A 960104 00	KIT EL Motor 24V 2kW VT
2	1	A 965629 00	Vertical reduction gear box STM AMF1 35
3	1	A 941505 00	KIT EL VT Motor Flange
4	1	A 941937 00	KIT EL VT Motor Clutch

Hydraulic motor



Pos.	Q.ty	Code	Description
1	1	G45042000Y	Hydraulic motor "OMR50 151-0420 alb scan. 1"
2	1	S 41500 00 80	Hydraulic Motor Spacer
3	1	A 941932 00	KIT Clutch HY Motor (OMR50)
4	1	A 941491 00	KIT HY Motor Flange (OMR50)