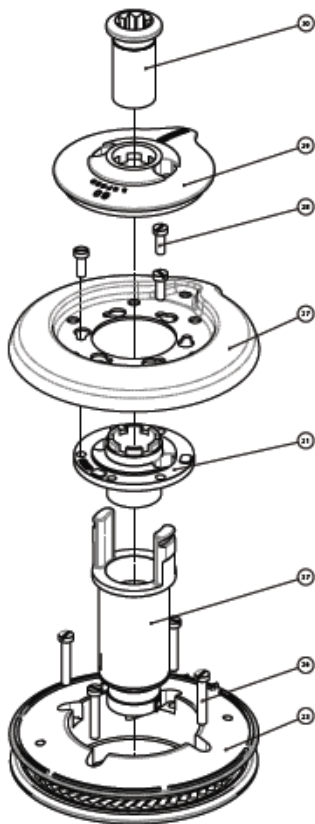
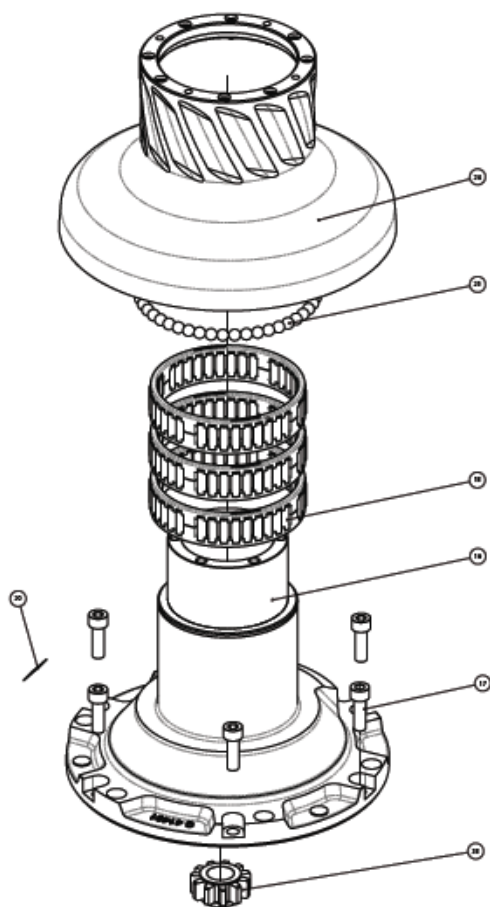
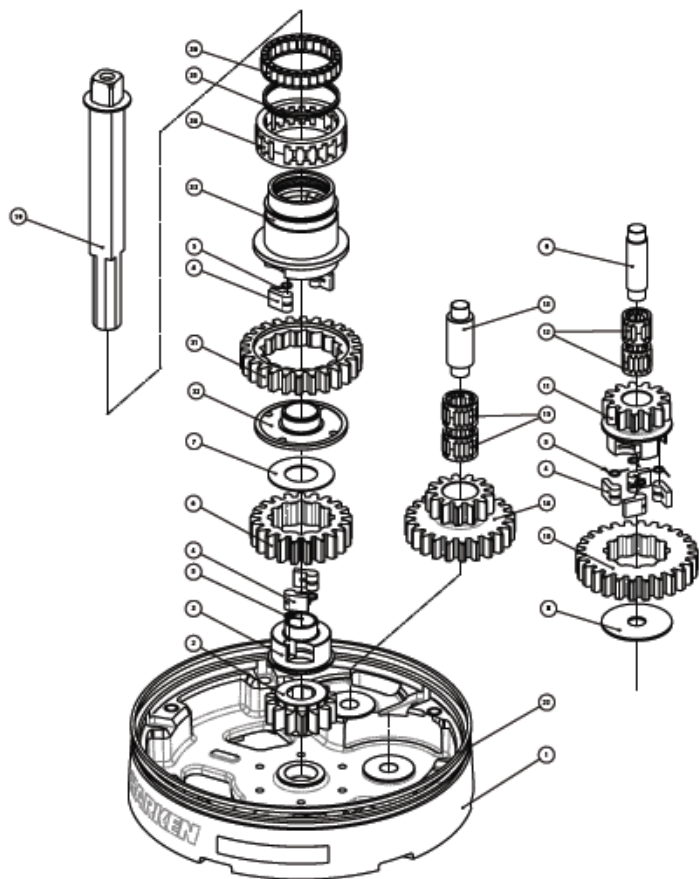


Exploded view





Parts List

Radial Winch 60.3 STA

A= drum in anodised aluminium

Pos.	Q.ty	Code	Description	Pos.	Q.ty	Code	Description
1	1	A 941430 00	Assy Base Winch 60 Base W60 Half-coil M6x10 Centering bushing Ø12 Bushing Ø22xØ25xØ5** Bushing Ø1.2xØ35x9* Winch Product Sticker**	22	1	S 28170 00 07	Red line*
2	1	S 41440 00 04	Gear Z14 W60	23	1	A 941435 00	Assy Jaws Winch 60 Lower Jaw W60 Upper Jaw W60 Pawler W60 - 70 Spring
3	1	S 41303 00 04	Pawls Carrier Ø6xN2	24	1	A 741433 00	Drum Assembly W60
4	8	S 00008 00 03	Pawl Ø6*	25	47	M 06102 80	Ball 5/16" *
5	8	S 00098 00 01	Pawl Spring Ø6*	26	4	M0601803	Screw UNI EN ISO 1207:1996 - M6x35 - A4
6	1	S 41439 00 41	Ratchet Gear Z21xN2	27	1	S 41446 00 19	Stripper arm Winch 60
7	1	S 41312 00 02	Washer Ø22.5xØ24x1*	28	3	M0601903	Screw M6x16 UNI1207*
8	1	S278170002	Washer 12.5x48x1.5*	29	1	S 41675 00 B1	Cover 3 Speed W60
9	1	S 26101 00 04	Pin for gear	30	1	A 941547 00	Assy Socket 3speed Socket Handle 3 speed Washer Ø 7.7xØ25x5.8 Screw M6x20 UNI 6109*
10	1	S 41442 00 41	Ratchet Gear Z26xN4	31	1	S280870041	Gear 1V
11	1	S 41441 00 04	Pawls Carrier Gear Z13 N4	32	1	S 41458 00 B1	Shim Bushing 3 speed*
12	2	A72821800	Roller Bearing 14/20/18	33	1	S 41540 00 04	Pawls Carrier 3 speed
13	1	S 41603 00 04	Gear Pin Ø12xØ19x52.5	34	1	A73129200	Roller Bearing 50-62-20 ERTA P*
14	1	S 41448 00 04	Idler and Pinion Z23/Z13 W60	35	1	S 37751 00 01	Clutch Spring
15	2	A 741623 00	Roll bearing 24x18x18	36	1	A73422600	Bearing 45x55x12*
16	1	A 941908 00	Assy Housing Winch 60.3 Housing W60 Bushing Ø1.2xØ35x9* Half-coil M6x9 Bushing	37	1	A 941580 00	Assy Clutch 3rd speed W60 Assy Command tube W60 Dog Clutch 3 speed Spring loaded ball plunger Ø6
17	6	M0606303	Screw M6x25 UNI 5931	38	1	A 941453 00	Assy Gear 3rd speed Idler Gear 3 speed Bushing Ø22xØ25x15.5 Washer 3 speed Screw M6x12 UNI 5933
18	3	A 741450 00	Roller Bearing Ø35xØ107x26*				
19	1	A 941438 00	Assy Shaft Winch 60 Central shaft W60S7 Washer Ø 17.2xØ32x1.5				
20	1	S 41876 00 63	Winch Serial Number Sticker				
21	1	S 41557 00 A0	Stripper arm support				

*Service kit available; see winch kit section on the website www.harken.com

**Winch product sticker



Radial Winch 60.3 STC

C=drum in chromed bronze

Pos.	Q.ty	Code	Description	Pos.	Q.ty	Code	Description
1	1	A 941430 00	Assy Base Winch 60 Base W60 Half-coil M6x10 Centering bushing Ø12 Bushing Ø22xØ25x9.5* Bushing Ø1.2xØ35x9* Winch Product Sticker**	22	1	S 26170 00 97	Red line*
2	1	S 41440 00 04	Gear Z14 W60	23	1	A 941435 00	Assy Jaws Winch 60 Lower Jaw W60 Upper Jaw W60 Reeler W60 - 70 Spring
3	1	S 41303 00 04	Pawls Carrier Ø8xN2	24	1	A 741434 00	Drum Assembly W60
4	8	S 00008 00 03	Pawl Ø6*	25	47	M 06102 80	Ball 5/16**
5	8	S 00038 00 01	Pawl Spring Ø6*	26	4	M0501803	Screw UNI EN ISO 1207:1995 - M6x35 - A4
6	1	S 41439 00 41	Ratchet Gear Z21xN2	27	1	S 41446 00 19	Stripper arm Winch 60
7	1	S 41312 00 02	Washer Ø22.5xØ45x1*	28	3	M0501903	Screw M6x16 UNI1207*
8	1	S278170002	Washer 12.5x4Øx1.5*	29	1	S 41675 00 B1	Cover 3 Speed W60
9	1	S 26101 00 04	Pin for gear	30	1	A 941547 00	Assy Socket 3speed Socket Handle 3 speed Washer Ø7.7xØ25x5.8 Screw M6x20 UNI 6109*
10	1	S 41442 00 41	Ratchet Gear Z26xN4	31	1	S260870041	Gear 1V
11	1	S 41441 00 04	Pawls Carrier Gear Z13 N4	32	1	S 41458 00 61	Shim Bushing 3 speed*
12	2	A72821800	Roller Bearing 14/20/18	33	1	S 41540 00 04	Pawls Carrier 3 speed
13	1	S 41603 00 04	Gear Pin Ø12xØ18x52.5	34	1	A73129200	Roller Bearing 50-62-20 ERTA P*
14	1	S 41448 00 04	Idler and Pinion Z23/Z13 W60	35	1	S 37751 00 01	Clutch Spring
15	2	A 741623 00	Roll bearing 24x18x18	36	1	A73422600	Bearing 45x55x12*
16	1	A 941908 00	Assy Housing Winch 60.3 Housing W60 Bushing Ø1.2xØ35x9* Half-coil M6x9 Bushing	37	1	A 941580 00	Assy Clutch 3rd speed W60 Assy Command tube W60 Dog Clutch 3 speed Spring loaded ball plunger Ø6
17	6	M0606303	Screw M6x25 UNI 5931	38	1	A 941453 00	Assy Gear 3rd speed Idler Gear 3 speed Bushing Ø22xØ25x15.5 Washer 3 speed Screw M6x12 UNI 5933
18	3	A 741450 00	Roller Bearing Ø35xØ107x26*				
19	1	A 941438 00	Assy Shaft Winch 60 Central shaft W60S7 Washer Ø17.2xØ32x1.5				
20	1	S 41876 00 63	Winch Serial Number Sticker				
21	1	S 41557 00 A0	Stripper arm support				

*Service kit available; see winch kit section on the website www.harken.com

**Winch product sticker



Radial Winch 60.3 STCW

C=drum in chromed bronze W=components RAL 9003

Pos.	Q.ty	Code	Description	Pos.	Q.ty	Code	Description
1	1	A 967257 00 W	Assy Base Winch 60 RAL 9003 Base W60RAL Skirt W60 RAL 9003 Half-coil M6x10 Centering bushing Ø12 Bushing Ø22xØ25xØ5* Bushing Ø1.2xØ35x9* Winch Product Sticker**	21	1	S 41557 00 A0	Stripper arm support
2	1	S 41440 00 04	Gear Z14 W60	22	1	S 26170 00 97	Red line*
3	1	S 41303 00 04	Pawls Carrier Ø8xN2	23	1	A 941435 00 W	Assy Jaws Winch 60 RAL 9003 Lower Jaw W60 RAL 9003 Upper Jaw W60 RAL 9003 Rester W60 - 70 RAL 9003 Spring
4	8	S 00008 00 03	Pawl Ø8*	24	1	A 741434 00	Drum Assembly W60
5	8	S 00038 00 01	Pawl Spring Ø6*	25	47	M 06102 80	Ball 5/16**
6	1	S 41439 00 41	Ratchet Gear Z21xN2	26	4	M0601803	Screw UNI EN ISO 1207:1996 - M6x35 - A4
7	1	S 41312 00 02	Washer Ø22.5xØ45x1*	27	1	S 41446 00 19	Stripper arm Winch 60
8	1	S278170002	Washer 12.5x48x1.5*	28	3	M0601903	Screw M6x16 UNI1207*
9	1	S 26101 00 04	Pin for gear	29	1	S 41675 00 B1 W	Cover 3 Speed W60 RAL 9003
10	1	S 41442 00 41	Ratchet Gear Z26xN4	30	1	A 941547 00	Assy Socket 3speed Socket/Handle 3 speed Washer Ø7.7xØ25x5.8 Screw M8x20 UNI 6109*
11	1	S 41441 00 04	Pawls Carrier Gear Z13 N4	31	1	S260870041	Gear 1V
12	2	A72821800	Roller Bearing 14/20x18	32	1	S 41458 00 B1	Shim Bushing 3 speed*
13	1	S 41603 00 04	Gear Pin Ø12xØ18x52.5	33	1	S 41540 00 04	Pawls Carrier 3 speed
14	1	S 41448 00 04	Idler and Pinion Z23/Z13 W60	34	1	A73128200	Roller Bearing 50-62-20 ERTA P*
15	2	A 741623 00	Roll bearing 24x18x18	35	1	S 37751 00 01	Clutch Spring
16	1	A 941908 00	Assy Housing Winch 60.3 Housing W60 Bushing Ø1.2xØ35x9* Half-coil M6x10 Bushing	36	1	A73422600	Bearing 45x5x12*
17	6	M0606303	Screw M6x25 UNI 5931	37	1	A 941580 00	Assy Clutch 3rd speed W60 Assy Command tube W60 Dog Clutch 3 speed Spring loaded ball plunger Ø6
18	3	A 741450 00	Roller Bearing Ø85xØ107x26*	38	1	A 941453 00	Assy Gear 3rd speed Idler Gear 3 speed Bushing Ø22xØ25x15.5 Washer 3 speed Screw M8x12 UNI 5933
19	1	A 941438 00	Assy Shaft Winch 60 Central shaft W60ST Washer Ø17.2xØ32x1.5				
20	1	S 41876 00 63	Winch Serial Number Sticker				

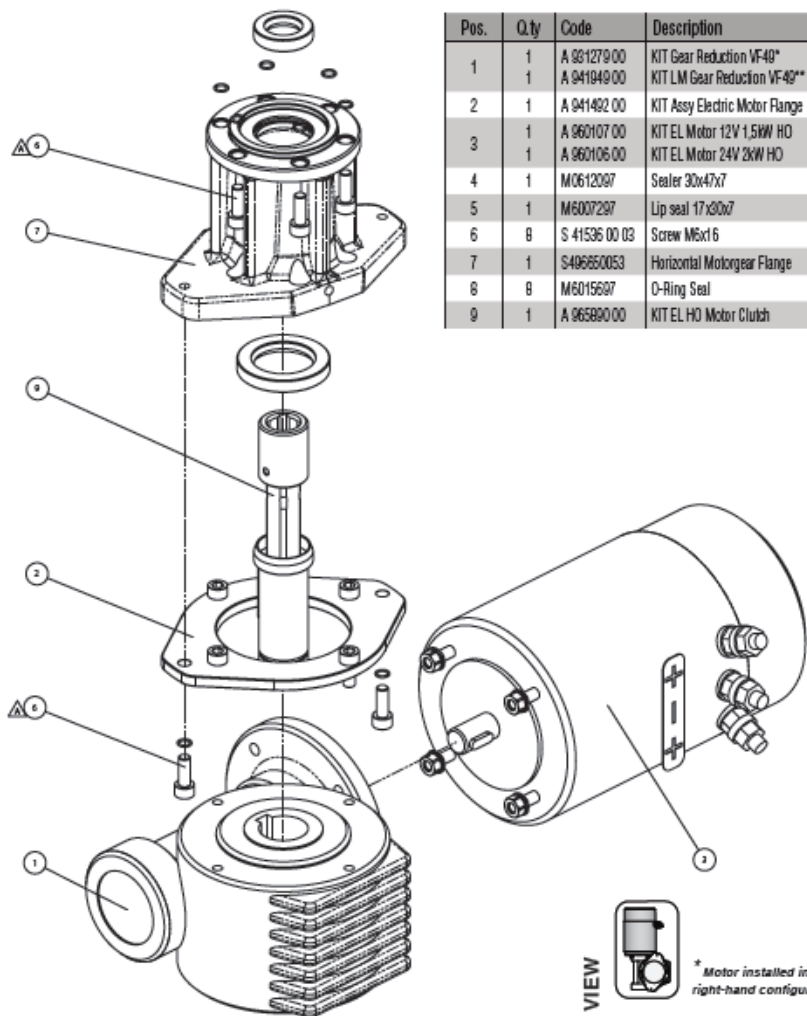
*Service kit available; see winch kit section on the website www.harken.com

**Winch product sticker



Horizontal electric motor

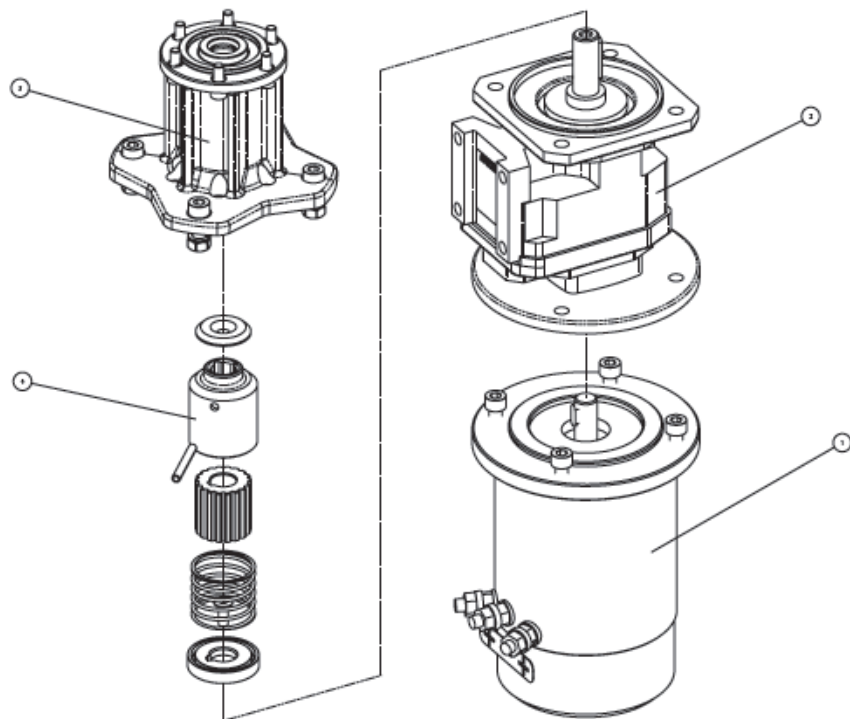
Pos.	Qty	Code	Description
1	1	A 931279 00	KIT Gear Reduction VF49*
	1	A 941949 00	KIT LM Gear Reduction VF49**
2	1	A 941492 00	KIT Assy Electric Motor Flange
3	1	A 960107 00	KIT EL Motor 12V 1.5kW HO
	1	A 960106 00	KIT EL Motor 24V 2kW HO
4	1	M0612097	Sealer 30x47x7
5	1	M6007297	Lip seal 17x30x7
6	8	S 41536 00 03	Screw M6x16
7	1	S406650053	Horizontal Molcogear Flange
8	8	M6015697	O-Ring Seal
9	1	A 965890 00	KIT EL HO Motor Clutch


TOP VIEW


* Motor installed in right-hand configuration.

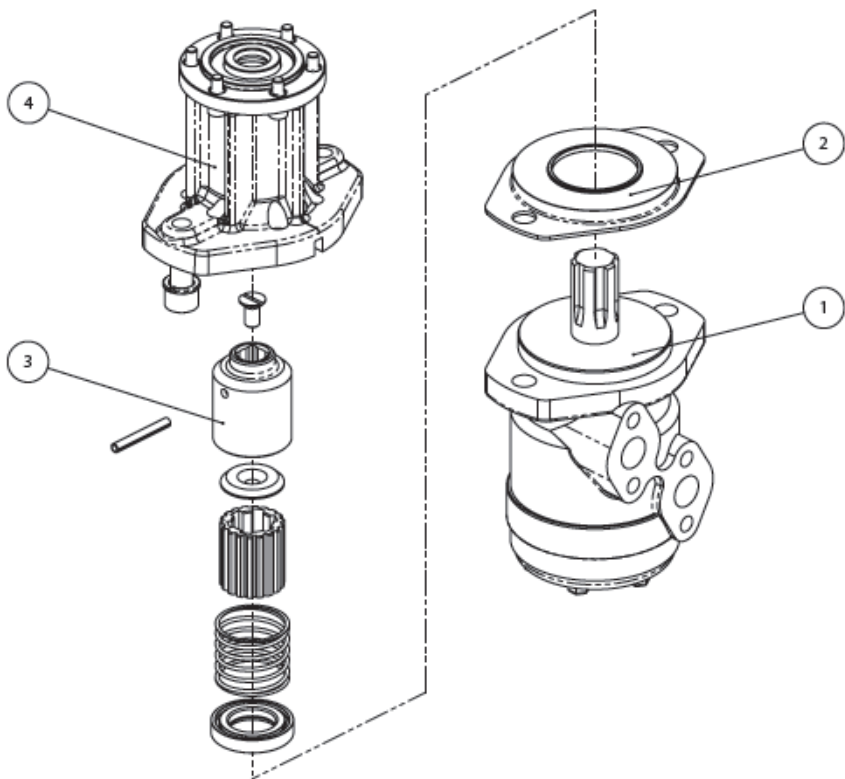


** Motor installed in left-hand configuration.

Vertical electric motor

Pos.	Q.ty	Code	Description
1	1	A.960105.00	KIT EL Motor 12V 1,5kW VT
	1	A.960104.00	KIT EL Motor 24V 2kW VT
2	1	A.965629.00	Vertical reduction gear box STM AMF1 35
3	1	A.941505.00	KIT EL VT Motor Flange
4	1	A.941937.00	KIT EL VT Motor Clutch

Hydraulic motor



Pos.	Q.ty	Code	Description
1	1	G45842000Y	Hydraulic motor *OMR50 151-0420 alb.scan. 1'
2	1	S 41500 0060	Hydraulic Motor Spacer
3	1	A 941 832 00	KIT Clutch HY Motor (OMR50)
4	1	A 941 491 00	KIT HY Motor Flange (OMR50)