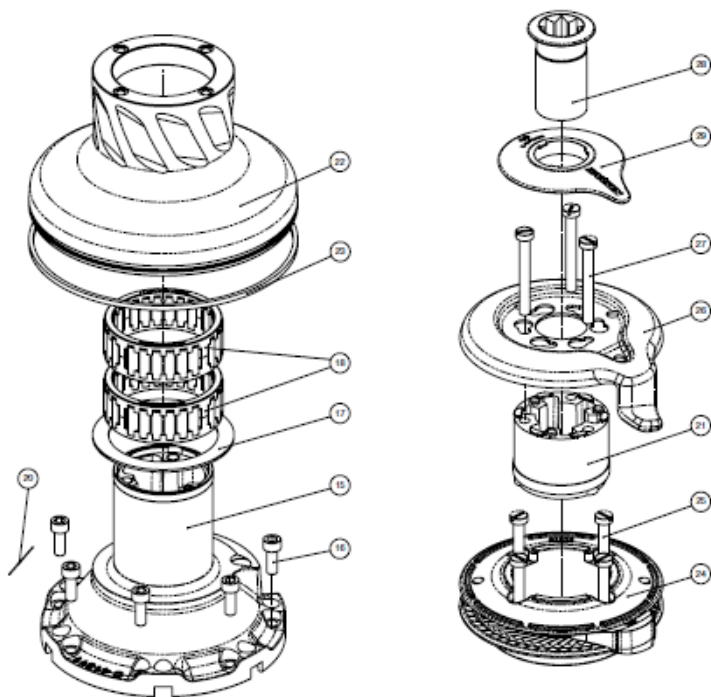
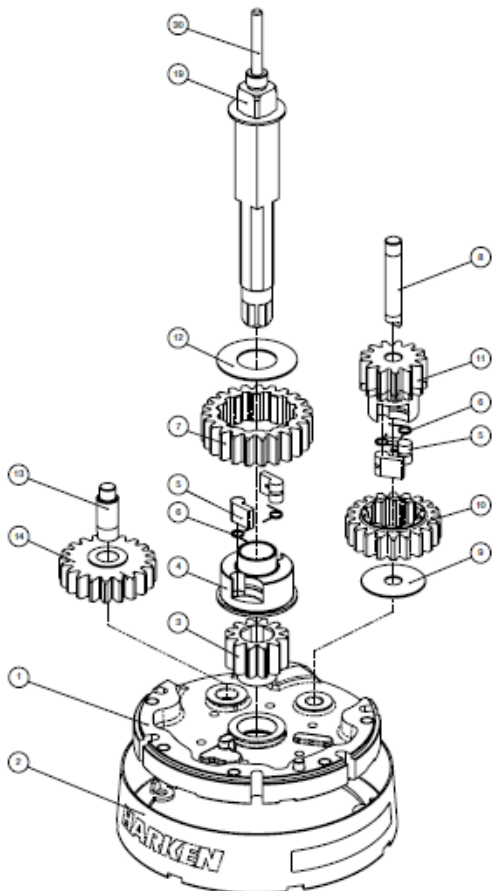
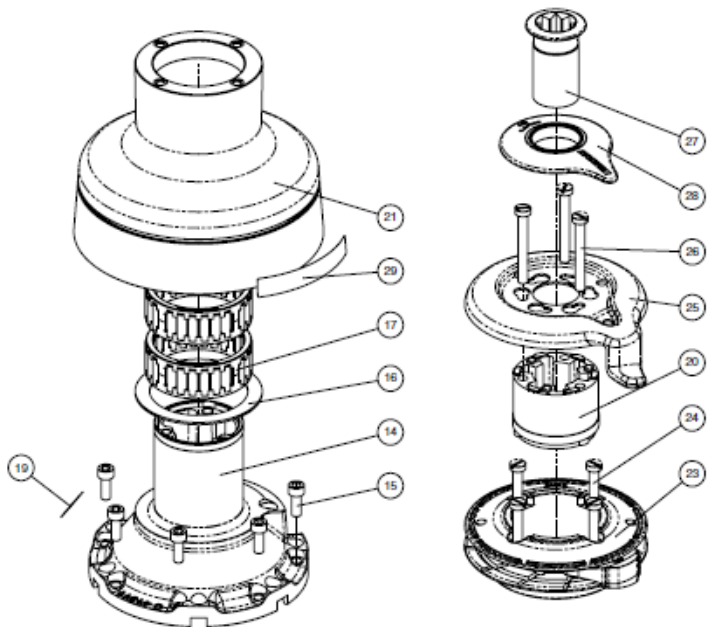


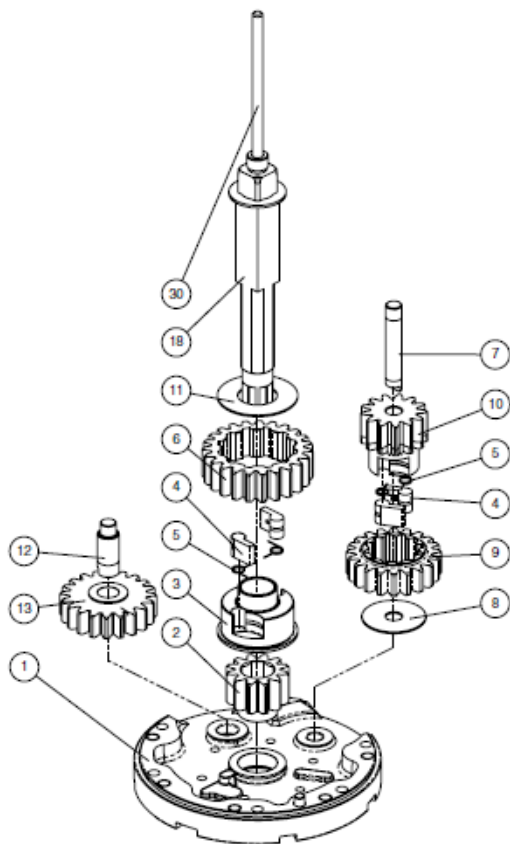
Exploded view*Radial Winch 40.2 STA, STC, STCW*

Radial Winch 40.2 STA, STC, STCW



Radial Winch 40.2 STBBB, STCCC



Radial Winch 40.2 STBBB, STCCC

Parts List

Radial Winch 40.2 STA

A = drum in anodised aluminium

Pos.	Q.ty	Code	Description	Pos.	Q.ty	Code	Description
1	1	A04189600	Assy Base Winch 40 EL/HY Base W40 Helf-zahl M069	16	6	M0635103	Socket head screw M5x16 UNI 5831
	1	S413350080	Roller A0x19	17	1	S413150082	Washer Ø52xØ50x1.5
	1	S4130900A7	Bushing Ø22xØ25x6.5	18	2	A74136000	Bearing Ø56xØ58x24
	1	S413960085	Bushing Ø5xØ11x12	19	1	A04149800	Assy Central Shaft W40 EL/HY Central Shaft/Prod. W40
	1	S413330085	Bushing Ø12xØ14x11		1	S413880002	Washer Ø17.2xØ20x1.5
2	1	A04141400	Assembly Skirt Winch 40 Skirt W40 Winch Product Sticker**	20			Winch Serial Number Sticker
3	1	S413020004	Gear Z12	21	1	S4129400A0	Shipper arm support
4	1	S413030004	Pawls Carrier B0xN2	22	1	S414170053	Drum A W40
5	4	S000080003	Pawl B8*	23	1	S281680097	Red line
6	4	S000380001	Pawl Spring B8*	24	1	A04131800	Assy Winch 40 Jaws Lower Jaw W35/40 Upper Jaw W35/40 Pawl W35 - Ø SPRING
7	1	S412630041	Gear Z23		1	S413610080	
8	1	S413000004	Pin B0x55		4	S385970001	
9	1	S279090002	Washer Ø36xØ9.5x1	25	4	M0501803	Screw UNI EN ISO 1207:1996 - M5x35 - A4
10	1	S412970004	Gear Z20	26	1	S414200019	Shipper Arm W35/40
11	1	S412850041	Pinion Z13	27	3	M5007103	Screw M5x50 UNI6107
12	1	S413120002	Washer Ø22.5xØ45x1	28	1	A04149800	Assy Socket W35-Ø EL/HY Socket Handle W2080
13	1	S413070004	Pin B0xØ12x32.5		1	S414940085	Washer Ø25xØ15x1
14	1	A04130500	Assy Gear Z20 Gear Z20		1	S414930003	Nut/Screw for Disconnect Rod
	2	S414900080	Bushing Ø12xØ14x6		1	M0679797	O-ring AC 2025 series
15	1	A04141500	Assy Housing Winch 40 Support W40	29	1	S4141900A5	Cover 2 speed W40
	2	S414990080	Helf-zahl M069	30	1	S415060002	Disconnect Rod W40
	1	S4130900A7	Bushing Ø22xØ25x6.5				

*Available with service kit; see website www.harken.com

**Winch product sticker



Radial Winch 40.2 STC

C = drum in chrome bronze

Pos.	Q.ty	Code	Description	Pos.	Q.ty	Code	Description
1	1	AB4189600	Assy Base Winch 40 EL/HY Base W40 Hel-coil M6x8	16	6	M0625103	Socket head screw M6x16 UNI 5831
	1	S413350080	Roller Ø10x19	17	1	S413150082	Washer Ø52xØ80x1.5
	1	S4130900A7	Bushing Ø12xØ12xØ1.5	18	2	A74136000	Bearing Ø56xØ68x24
	1	S4139600B5	Bushing Ø6xØ11 x1.2	19	1	AB4149800	Assy Central Shaft W40 EL/HY Central Shaft/Prod W40 Washer Ø17.2xØ12x1.5
	1	S4133300B5	Bushing Ø12xØ12xØ1.5		1	S413680002	
2	1	AB4141400	Assembly Skirt Winch 40 Skirt W40 Winch Prated Slider**	20			Winch Serial Number Sticker
				21	1	S4129400A0	Stripper arm support
3	1	S413020004	Gear Z12	22	1	S4141800A3	Drum W40 C
4	1	S413030004	Pawls Carrier Ø16x12	23	1	S281680097	Red line
5	4	S000080003	Pawl Ø8*	24	1	AB4131800	Assy Winch 40 Jaws Lower Jaw W35/40 Upper Jaw W35/40 Pulver W20 - 40 SPRING
6	4	S000380001	Pawl Spring Ø8*		1	S413610080	
7	1	S412830041	Gear Z23		4	S385970001	
8	1	S413000004	Pin Ø6x55	25	4	M0601803	Screw UNI EN ISO 1207:1996 - M6x35 - A4
9	1	S279090002	Washer Ø36xØ9,5x1	26	1	S414200019	Stripper Arm W35/40
10	1	S412970004	Gear Z20	27	3	M6007103	Screw M6x50 UNIS107
11	1	S412850041	Pinion Z13	28	1	AB4149300	Assy Socket W35-80 EL/HY Socket Handle W39Ø80 Washer Ø15xØ15x1 Nut Screw for Disconnect Rod Øring RC 2Ø25 seals
12	1	S413120002	Washer Ø22,5xØ45x1		1	S4149400B5	
13	1	S413070004	Pin Ø6xØ12xØ2,5		1	S414830003	
14	1	AB4130500	Assy Gear Z20 Gear Z20 Bushing Ø12xØ12xØ1		1	M0679797	
	2	S414900080		29	1	S4141900A5	Cover 2 speed W40
15	1	AB4141500	Assy Housing Winch 40 Support W40 Hel-coil M6x8	30	1	S415060002	Disconnect Rod W40
	2	S414890080					
	1	S4130900A7	Bushing Ø12xØ12xØ1.5				

*Available with service kit; see website www.harken.com

**Winch product sticker



Radial Winch 40.2 STCW

CW = chrome/white

Pos.	Q.ty	Code	Description	Pos.	Q.ty	Code	Description
1	1	AB4189600	Assy Base Winch 40 EL/HY Base W40 Hull-rod M6x8 Roller Ø10x19 Bushing Ø22xØ12xØ1.5 Bushing Ø5xØ11 x1.2 Bushing Ø12xØ11xØ1	16	6	M0625103	Socket head screw M6x16 UNI 5831
	1	S413350080		17	1	S413150082	Washer Ø5xØ8x1.5
	1	S4130600A7		18	2	A74136000	Bearing Ø56xØ68x24
	1	S413960085		19	1	AB4149800	Assy Central Shaft W40 EL/HY Central Shaft/Prod W40 Washer Ø17.2xØ22x1.5
	1	S413330085			1	S413880002	
2	1	AB4141400W	Assembly Skirt Winch 40 RAL 9003 Skirt W40 RAL9003 Winch Protected Slider**	20			Winch Serial Number Sticker
				21	1	S4129400A0	Stripper arm support
3	1	S413020004	Gear Z12	22	1	S414180043	Drum C W40
4	1	S413000004	Pawls Carrier Ø8xØ2	23	1	S281680097	Red line
5	4	S000080003	Pawl Ø8"	24	1	AB4131800W	Assy Winch 40 Jaws Lower Jaw W35/40 RAL9003 Upper Jaw W35/40 RAL9003 Pawls W35 - 40 RAL9003 SPRING
6	4	S000380001	Pawl Spring Ø8"		1	S413610080W	
7	1	S412830041	Gear Z23		4	S385970001	
8	1	S413000004	Pin Ø9x55	25	4	M0601803	Screw UNI EN ISO 1207:1996 - M6x25 - A4
9	1	S279090002	Washer Ø36xØ9.5x1	26	1	S414200019	Stripper Arm W35/40
10	1	S412970004	Gear Z20	27	3	M6007103	Screw M6x50 UNIS107
11	1	S412850041	Pinion Z13	28	1	AB4149800	Assy Socket W35-80 EL/HY Socket Handle W20Ø80 Washer Ø55xØ15x1 Nut Screw for Disconnect Rod Øring RC 2Ø25 seals
12	1	S413120002	Washer Ø22.5xØ45x1		1	S414940085	
13	1	S413070004	Pin Ø9xØ12xØ2.5		1	S414830003	
14	1	AB4130500	Assy Gear Z20 Gear Z20 Bushing Ø12xØ11xØ1		1	M0619797	
	2	S414900080		29	1	S4141900A5W	Cover 2 speed W40 RAL 9003
15	1	AB4141500	Assy Housing Winch 40 Housing W40 Hull-rod M6x8 Bushing Ø5xØ11 x1.2 Bushing Ø22xØ12xØ1.5	30	1	S415060002	Disconnect Rod W40
	2	S414890080					
	1	S4130600A7					

*Available with service kit; see website www.harken.com

**Winch product sticker



Radial Winch 40.2 STBBB

BBB = all bronze

Pos.	Q.ty	Code	Description	Pos.	Q.ty	Code	Description
1	1	A6633800	PERFORMA Assy Base Winch 40 EL/HY	16	1	S413150082	Washer Ø5xØ8x1.5
			PERFORMA Base W40	17	2	A74135000	Bearing Ø55xØ68x24
	1	S413350080	Roller Ø6x19	18	1	A64149800	Assy Central Shaft W40 EL/HY
	1	S4130900A7	Bushing Ø22xØ25x1.5				Central Shaft/Pred W40
	1	S4139500B5	Bushing Ø5xØ11x1.2	1	S413680002	Washer Ø17.2xØ20x1.5	
	1	S4133300B5	Bushing Ø12xØ14x1.1	19			Winch Serial Number Sticker
2	1	S413020004	Gear Z12	20	1	S4129400A0	Stripper arm support
3	1	S413030004	Pawls Carrier B5xH2	21	1	S688190043	Drum W40 BBB
4	4	S000060003	Pawl B6*	22	1	S281680097	Red Line
5	4	S000360001	Pawl Spring B6*	23	1	A66932800	Assy Jaws Winch 35/40 BBB
6	1	S412630041	Gear Z23				Lower Jaw W35/40 BBB
7	1	S413000004	Pin B5x55	1	S413510080	Upper Jaw W35/40	
8	1	S279090002	Washer Ø36xØ9.5x1	4	S385970001	Prefer W22 - 40	
9	1	S412970004	Gear Z20				SPRING
10	1	S412850041	Pinion Z13	24	4	M0501803	Screw UNI EN ISO 1207:1996 - M6x35 - A4
11	1	S413120002	Washer Ø22.5xØ45x1	25	1	S693220019	Stripper Arm W35/40 BBB
12	1	S413070004	Pin B5xØ12x32.5	26	3	M6207103	Screw M6x50 UNI5107
13	1	A64130500	Assy Gear Z20	27	1	A64149300	Assy Socket W35-80 EL/HY
			Gear Z20				Socket Handle W20/80
	2	S414900080	Bushing Ø12xØ14x1	1	S4149400B5	Washer Ø25xØ15x1	
14	1	A64141500	Assy Housing Winch 40	1	S414530003	Nut/Screw for Disconnect Rod	
			Support W40	1	M0679797	O-ring RC 2025 series	
	2	S414890080	Bushing Ø5xØ11x1.7	28	1	A75932500	Cover W40 BBB
	1	S4130900A7	Bushing Ø22xØ25x1.5	29			Winch Product Sticker**
15	6	M0325103	Socket head screw M6x16 UNI 5931	30	1	S415060002	Disconnect Rod W40

*Available with service kit; see website www.harken.com

**Winch product sticker



Radial Winch 40.2 ST/CC

CCC = All-Chrome bronze

Pos.	Q.ty	Code	Description	Pos.	Q.ty	Code	Description
1	1	A86633800	PERFORMA Assy Base Winch 40 EL/HY PERFORMA Base W40 Half and M6x9	16	1	S413150082	Washer B52x80x1.5
	1	S413250080	Roller B6x19	17	2	A74136000	Bearing B56x80x24
	1	S4130900A7	Bushing B22x81.25x6.5	18	1	A84149800	Assy Central Shaft W40 EL/HY Central Shaft/Prest W40 Washer B17.2x82x2.5
	1	S413960085	Bushing B19x81 to 2"		1	S413880002	Winch Serial Number Sticker
	1	S413330085	Bushing B12x81 Hex 1	19			
2	1	S413020004	Gear Z12	20	1	S412940040	Stripper arm support
3	1	S413030004	Pawls Carrier B8xN2	21	1	S681050043	Drum CCC W40
4	4	S00080003	Pawl B8"	22	1	S281680097	Red line
5	4	S000380001	Pawl Spring B8"	23	1	A95811900	Assy Jaws Winch 35/40 CCC Lower Jaw W35/40 CCC Upper Jaw W35/40 RA29003 Pawls W20 - 40 RA29002 SPRING
6	1	S412630041	Gear Z23		1	S413610030W S385970001	
7	1	S413000004	Pin B9x55	24	4	M0601803	Screw UNI EN ISO 1207:1996 - M6x35 - A4
8	1	S279090002	Washer B36x80,5x1	25	1	S414200019	Stripper Arm W35/40
9	1	S412970004	Gear Z20	26	3	M6007103	Screw M6x50 UNI6107
10	1	S412850041	Pinion Z13	27	1	A84149300	Assy Socket W35-80 EL/HY Socket Handle W2980 Washer B25x81.5x1 Nut Screw for Disconnect Rod Oring RC 2025 series
11	1	S413120002	Washer B22.5x845x1		1	S414940085	
12	1	S413070004	Pin B9x81.25x32.5		1	S414930003	
13	1	A84130500	Assy Gear Z20 Gear Z20 Bushing B12x81 Hex		1	M0679797	
	2	S414900080		28	1	A75811200	Cover W40 CCC
14	1	A84141500	Assy Housing Winch 40 Support W40 Half and M6x9	29			Winch Product Sticker**
	2	S414890080	Bushing B19x81 to 7"	30	1	S415060002	Disconnect Rod W40
	1	S4130900A7	Bushing B22x81.25x6.5				
15	6	M0535103	Socket head screw M6x16 UNI 5931				

*Available with service kit; see website www.harken.com

**Winch product sticker

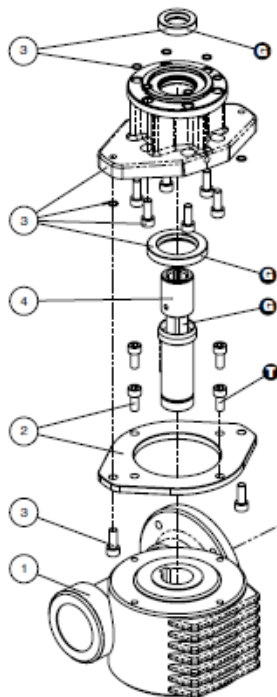


Horizontal electric motor 12V/24V
TOP VIEW

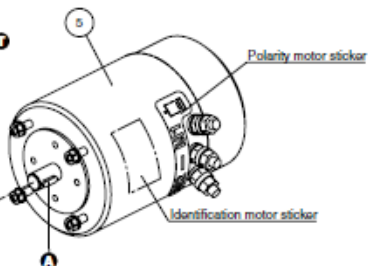

* Motor installed in right-hand configuration.



** Motor installed in left-hand configuration.



Pos.	Q.ty	Code	Description
1	1	AG3127900	KIT Gear Reduction 1/24
	1	AG4154900	KIT LM Gear Reduction 1/24
2	1	AG4149200	KIT Assy Electric Motor Flange
	1	AG4149200L	KIT Assy Electric Motor Flange Left
3	4	M0606803	Electric Motor Flange Screw M3x14 UN 5.83F
	1	AG4149500	KIT EL HO Motor Flange
	8	S415360003	Horizontal Motor Flange Screw M3x16 UN EN ISO 8831:2003 pneumatic coating
	8	M601560097	O-Ring Seal O-RM3065-10 (16.5 x 8)
4	1	M6007297	Lip seal 217x10x7
	1	M6012097	Sealer 210x10x7
	1	AG4161600	KIT EL HO Motor Clutch
	1	M0601402	Shaft/Motor/HD
	1	M6020097	Shaft/Gear/Motor/HD
	1	S418620001	Hub Gear/Motor
5	1	M601402	Dowel UN EN ISO 8752:2000 - Ø4x24
	1	S414050080	O-ring 19.1x1.6
	1	S414050080	Disc/spring
	1	M6010303	Flange Gear/Motor Shaft HD
	1	M6010303	Key 6x6x40 UN JS11
	1	AG6015400	KIT EL Motor 12V 0,7kW
1	AG6015700	KIT EL Motor 24V 0,9kW	
1	M6014206	Electric Motor Polarity motor slider Screw/but M6x25 Washer Ø5 Nut M6 UN6538 Key DIN 9885 S4x15	



- A** Anti-seize
- G** Harken® Grease
- T** Axial Threadlocker