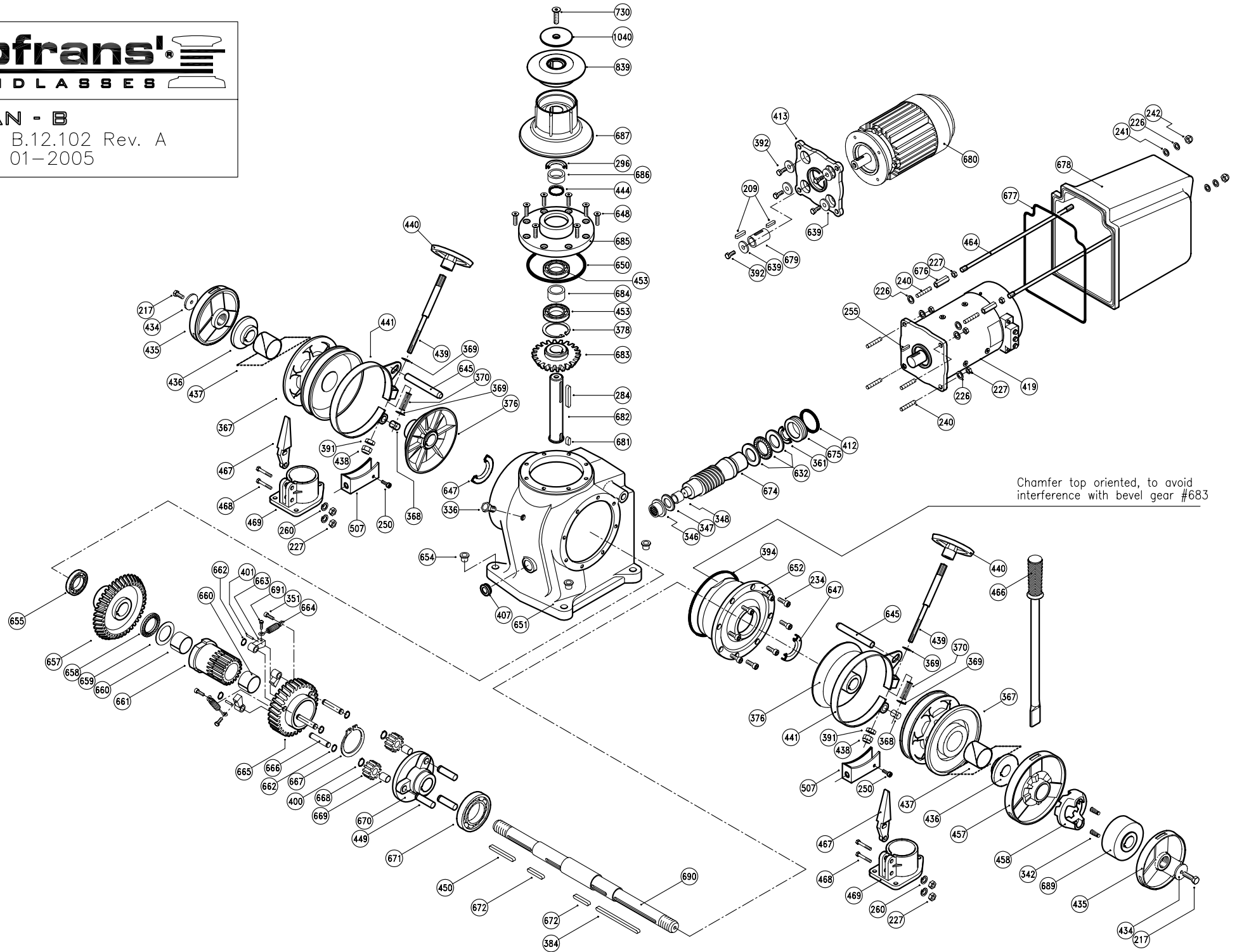


TITAN - B

code: B.12.102 Rev. A
date: 01-2005



Chamfer top oriented, to avoid interference with bevel gear #683

